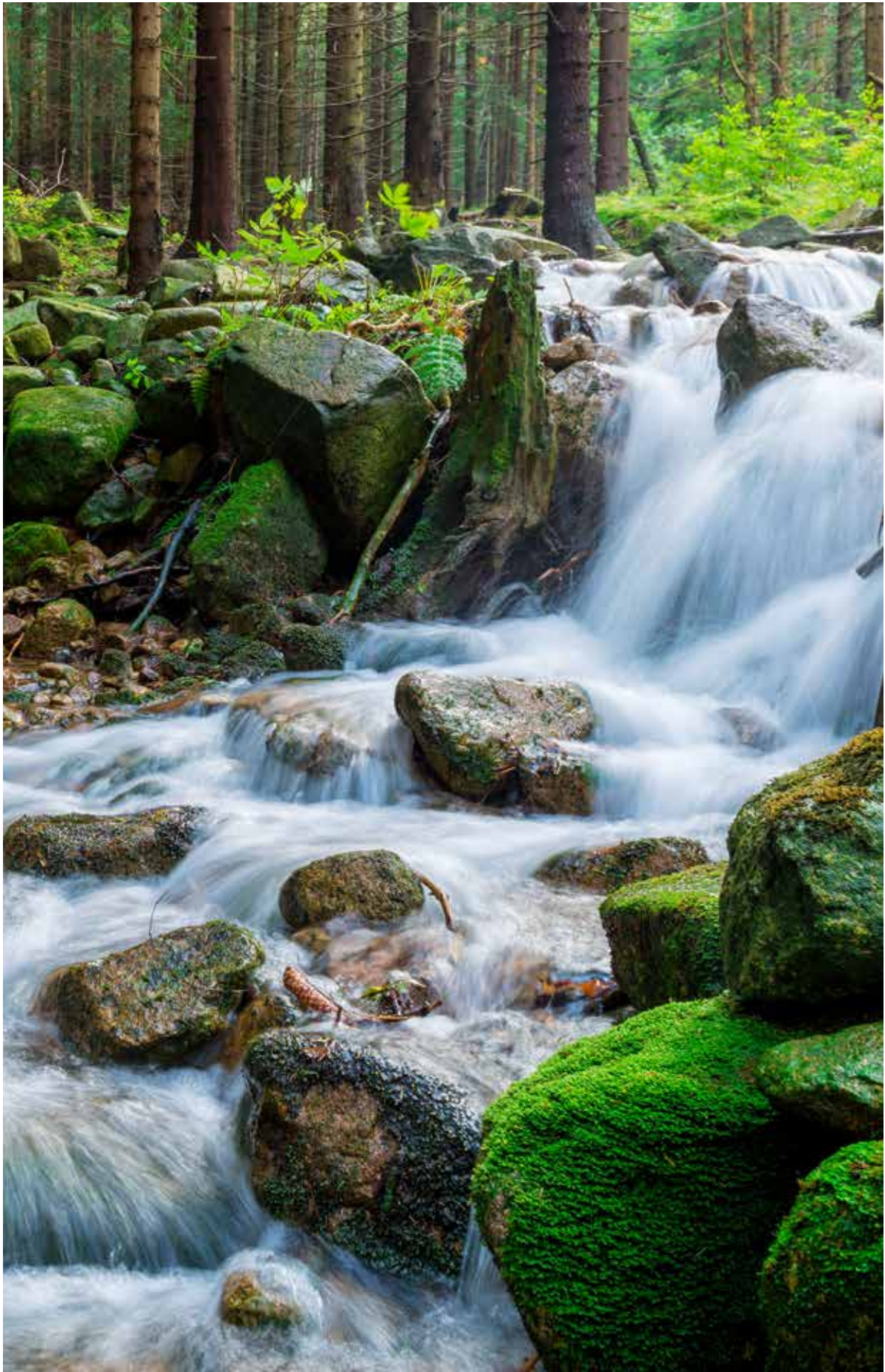




The smart way to save water

Make every drop count
in all your ECO-Building projects





Make every drop count in all your ECO-Building projects

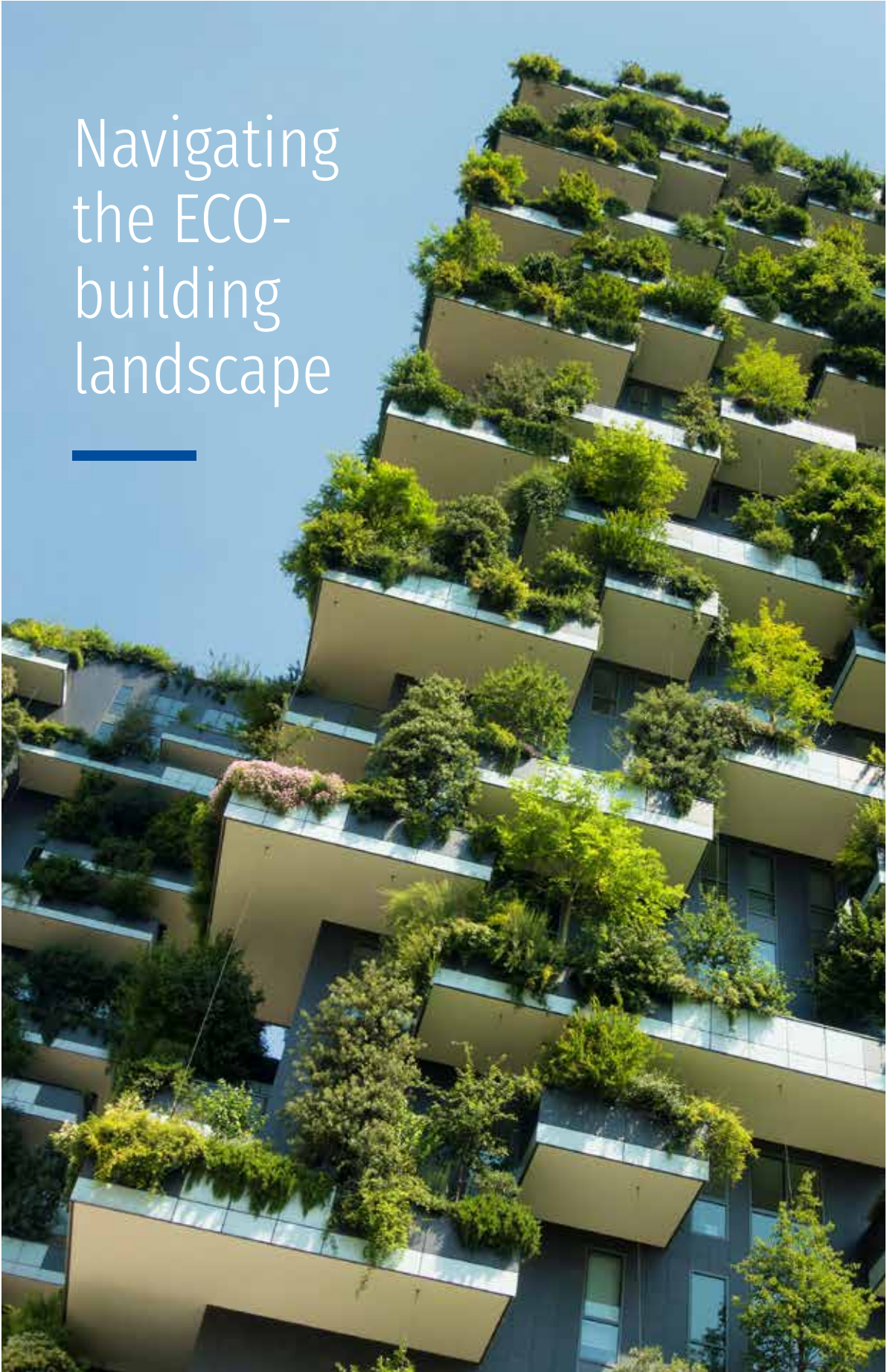


Companies all over the world are looking for ways to meet the ever-changing requirements and contribute to creating a greener future. At Hansa, we want to help by being a trusted partner supporting project planners, contractors and installers in finding the water and energy saving solutions that are right for them.

When you add this initiative together with others – office after office, building site after building site, country after country - companies suddenly get a big sea of sustainable change.

So, let us help you make every drop count in all your projects.

Navigating the ECO- building landscape



Green building certification refers to the environmental assessment of a construction area throughout its entire lifecycle – from planning and construction to its operation and final demolition. Alongside features such as safety, security, thermal health and ventilation, efficient use of energy and water have become vital requirements of sustainability certifications.

Water-saving installations are a promising solution to significantly cut down water consumption, limit losses via leakages and alter the energy performance of existing building stock as well as low-carbon new builds.



BREEAM is a recognized environmental certification system that's mainly used in Europe. It functions as a tool for measuring and assessing a building's overall environmental footprint



SWAN Criteria of the license system mostly used in Nordic countries include assessments on environmental quality and health.



LEED is a widely used green building rating System focusing on the design, construction, operation and maintenance of green public buildings and residential homes.



WELL is a global leading tool for advancing health and well-being in buildings. It contains a variety of assessment criteria on a building's environment and its contribution to health and wellness of its occupants

By offering a wide range of product combinations and ECO features, we strive to support you navigate the complex landscape of today's sustainability ratings, such as LEED, BREEAM, SWAN or WELL.



Sustainability in every detail

At HANSA, we look back on a long history of delivering high-quality and energy-efficient solutions – from residential dwellings to buildings. We know that every building comes with unique requirements and finding the right solutions for each setting can be complex.

By offering a wide range of water-saving solutions, eco labelled products, and innovating smart monitoring and control solutions, we help planners build sustainability into every corner of the building and mobilise both water and energy efficient consumption patterns.

For more convenience and support we made it rather easy to spot eco products within our assortment by adding selfexplaining extensions to the product family name. And what is more, for relevant products we also offer certified EPD documents you can always find on www.orasgroup.com/sustainability



We take a holistic view of sustainability



Certified products assure secure planning

Convincing functions for efficient use of resources



Lower flow, less consumption, same comfort

Availability

- Basin
- Shower
- Kitchen

Key features

- Low flowrate
- Thermostatic control
- Eco-Functions



The SMART way to use water

Availability

- Basin

Key features

- Low flowrates
- Energy-saving functions
- Bluetooth control
- Individual settings

The SMART way to control water. For any application and on every level

Intelligent technologies have become a standard for many building projects. From public spaces to residential homes, our future buildings are becoming smarter every day.

At HANSA, we believe that 'smart' doesn't have to be limited to high-performance products that come at a high price. We've found a way to add smart features to every one of our product categories, so you can minimise water and energy consumption throughout the entire building.



On the basin

Touchless is of course the most comfortable way to save water, but there are far more options to cut down consumption at the basin.



In the shower

Showering is one of the most resource consumptive things in private households. Few actions can start a big change without sacrificing comfort.



In the kitchen

In the kitchen there are plenty of options to save additional water and energy without loss of functionality.

Level 1: Saving water + energy with high comfort

Faucets with integrated low-flow and eco features reduce the amount of water released per minute, which can significantly minimise overall water and energy consumption of a building on a large scale. All designed to save water one drop at a time without cutting down on comfort or convenience.



Level 2: The power of real time feedback

Water and energy use is often invisible to users, and it almost seems impossible to get an accurate overview of their daily consumption. But what if we knew exactly what we used? Would we act differently? We would certainly have the choice to. At HANSA, we believe that's a great start.

Level 3: Monitor and manage a building's faucet status in one easy system

Our new Digital services are designed to help you monitor consumption via Bluetooth-enabled products, facilitating the smarter use and management of resources.

Moving forward, we will be offering further services that allow constant monitoring of water consumption and educate customers on the optimal use and maintenance of faucets.





Features as key indicators for water and energy savings

To meet the specific needs of the certificate the project requires a variety of features that can help you to reduce energy and water consumption in your project.

Built in features that guarantee a result by default

Our faucets with integrated low-flow features lead to instant positive effects on the water consumption.





User activated and controlled features

Our lever based and thermostatic features actively assist the user to save energy and water.

Electronically and data driven features

Get realtime feedback from your installations to find further potentials for savings and adjust remotely.

On the following pages you can explore our features in detail

				
Fixed flowrates defined by aerator or flow limiter. Not influenceable by the user	1,9 l – 5 l	1,9 l – 5 l	3,4 l – 7,5 l	6 l – 9 l
Cartridge/sensor based eco function. Influenceable by the user	Eco button Cold start	Sensor operated Bluetooth®. Settings, Monitoring & Controlling	Eco button Cold start	Eco button
	Single lever mixer	Touchless	Kitchen	Thermostat

Reducing water usage by default



Flow Limiter

Faucets and showers with integrated low-flow features reduce the amount of water released per minute, which can significantly minimise overall water and energy consumption of a building on a large scale. Our product families cover a variety of flow rates – from low flow shower systems to smart washbasin and kitchen faucets. All designed to save water one drop at a time without cutting down on comfort or convenience. Its also possible to customize flow rate for your project.



Cold start
The lever print clearly indicates the limited range of movement due to the cold water starting in the middle position. The special cartridge design assures smooth temperature and volume transitions.



Lever based options to significantly reduce water and energy use

Cold start

Cold start features can help you significantly cut down your energy use by setting the default lever position on cold water. That way, no energy is wasted on heating up water during simple day-by-day operations when there's no actual need for hot water.

Reduce water and energy consumption by thermostatic features



Thermostatic cartridge

The thermostatic cartridge allows precise water and temperature management avoiding unnecessary adjustment operations.

ECO mode

Faucets with built-in ECO features can reduce the water flow upon installation, so you make a small difference every day.

38°C degrees safety button

Pressing the safety button is required to get temperatures beyond 38°C. This significantly cuts down energy consumption and prevents scalding.





Electronically / touchless options to reduce water and energy



Touchless features help minimise water use by only running when actually needed. As the water flow is activated and deactivated based on smart integrated sensors, building managers can significantly reduce the risk of water and energy overuse.

Flushing periods can be controlled and optimized to match all regulations with eco needs

Individual Settings

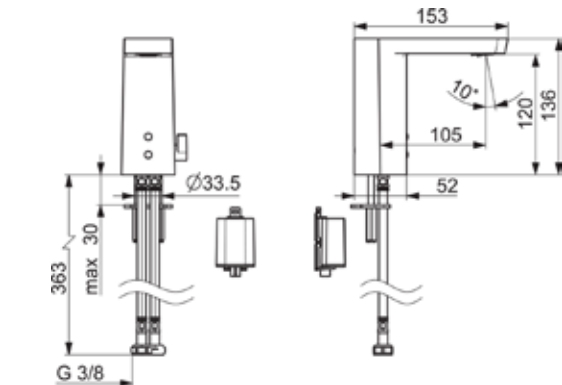
If connected to the App, users can schedule automatic flushing intervals, adjust flushing duration and individualise after flow times, enabling easier monitoring and management of water throughout a building complex.



Touchless faucets

HANSASTELA ECO+

571622790004 Chrome



**Washbasin faucet |
Touchless/Battery-operated/Bluetooth® |
Deck mounted (1 hole), DN15**

EAN 4057304018510



NEW

- Inner body made of DZR brass
- Software settings adjustable via App

Flow-rate at 3 bar (with flow controller): 3.36 l/min
Hot water supply: max. +70°C



CE

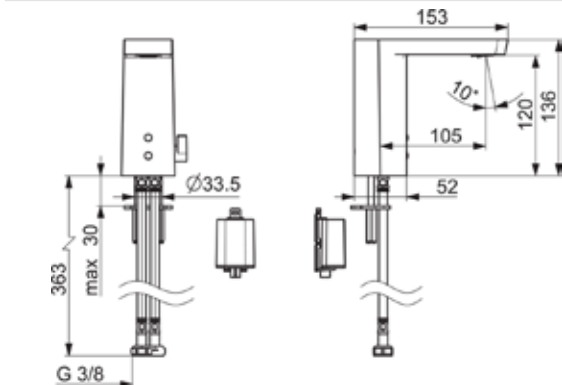
- Temperature control handle
- Adjustable hot water stop (included, retrofittable)
- Flexible inlet pipes | (G3/8)
- Backflow prevention (EN1717): AA**
- Mixing valve for manual temperature control
- Non-return valve(s)
- Autofocus infrared sensor

- Solenoid valve
- Low battery indicator
- Battery: Lithium 2CR5 6 V
- Without pop-up waste
- **Automatic flush frequency:** off (off/1-120 h)
- Automatic flush period: 30 s (1-1800 s)
- Projection: 105 mm

- Fixed spout
- Casted construction
- Aerator type: PCA® - constant flow rate regardless of pressure variations
- Max. flow period: 2 min (1 - 1800 s)
- Operating voltage: 6 V

HANSASTELA ECO+

571622790005 Chrome



**Washbasin faucet |
Touchless/Battery-operated/Bluetooth® |
Deck mounted (1 hole), DN15**

EAN 4057304018527



NEW

- Inner body made of DZR brass
- Software settings adjustable via App

Flow-rate at 3 bar (with flow controller): 4.2 l/min
Hot water supply: max. +70°C



CE

- Temperature control handle
- Adjustable hot water stop (included, retrofittable)
- Flexible inlet pipes | (G3/8)
- Backflow prevention (EN1717): AA**
- Mixing valve for manual temperature control
- Non-return valve(s)
- Autofocus infrared sensor

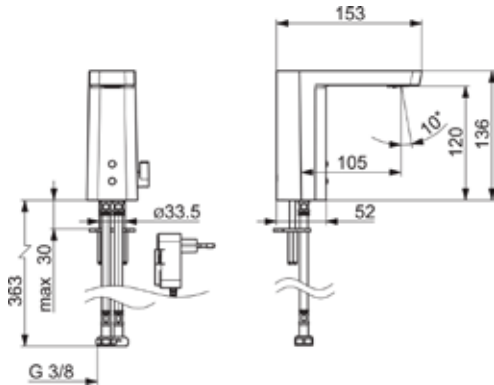
- Solenoid valve
- Low battery indicator
- Battery: Lithium 2CR5 6 V
- Without pop-up waste
- **Automatic flush frequency:** off (off/1-120 h)
- Automatic flush period: 30 s (1-1800 s)
- Projection: 105 mm

- Fixed spout
- Casted construction
- Aerator type: PCA® - constant flow rate regardless of pressure variations
- Max. flow period: 2 min (1 - 1800 s)
- Operating voltage: 6 V

HANSASTELA ECO

57122279

Chrome



Washbasin faucet |
Touchless/Plug transformer/Bluetooth® |
Deck mounted (1 hole), DN15

EAN 4057304015526



NEW

- Inner body made of DZR brass
- Software settings adjustable via App
- Convertible for cold or premixed-water supply

Flow-rate at 3 bar (with flow controller): 4.8 l/min
Hot water supply: max. +70°C



DVGW: CW-6514CR0161 | ABP: P-IX 38184/IO | C E

- Temperature control handle
- Adjustable hot water stop (included, retrofittable)
- Flexible inlet pipes | (G3/8)
- Backflow prevention (EN1717): AA**
- Mixing valve for manual temperature control
- Non-return valve(s)
- Litter filter(s)

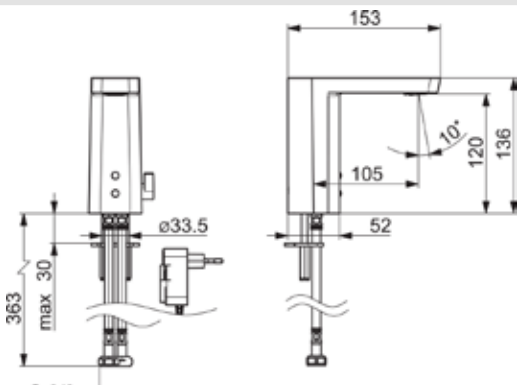
- Autofocus infrared sensor
- Solenoid valve
- Power supply
- Without pop-up waste
- **Automatic flush frequency:** off (off/1-120 h)
 - Automatic flush period: 30 s (1-1800 s)
- Projection: 105 mm

- Fixed spout
- Casted construction
- Aerator type: Hidden aerator | PCA® - constant flow rate regardless of pressure variations | Adjustable flow angle
- Max. flow period: 2 min (1 - 1800 s)
- Operating voltage: 9/12 V

HANSASTELA ECO

57162279

Chrome



Washbasin faucet |
Touchless/Battery-operated/Bluetooth® |
Deck mounted (1 hole), DN15

EAN 4057304015519



NEW

- Inner body made of DZR brass
- Software settings adjustable via App
- Convertible for cold or premixed-water supply

Flow-rate at 3 bar (with flow controller): 4.8 l/min
Hot water supply: max. +70°C



DVGW: CW-6514CR0161 | ABP: P-IX 38184/IO | C E

- Temperature control handle
- Adjustable hot water stop (included, retrofittable)
- Flexible inlet pipes | (G3/8)
- Backflow prevention (EN1717): AA**
- Mixing valve for manual temperature control
- Non-return valve(s)
- Litter filter(s)
- Autofocus infrared sensor

- Solenoid valve
- Low battery indicator
- Battery: Lithium 2CR5 6 V
- Without pop-up waste
- **Automatic flush frequency:** off (off/1-120 h)
 - Automatic flush period: 30 s (1-1800 s)
- Projection: 105 mm
- Fixed spout

- Casted construction
- Aerator type: Hidden aerator | PCA® - constant flow rate regardless of pressure variations | Adjustable flow angle
- Max. flow period: 2 min (1 - 1800 s)
- Operating voltage: 6 V

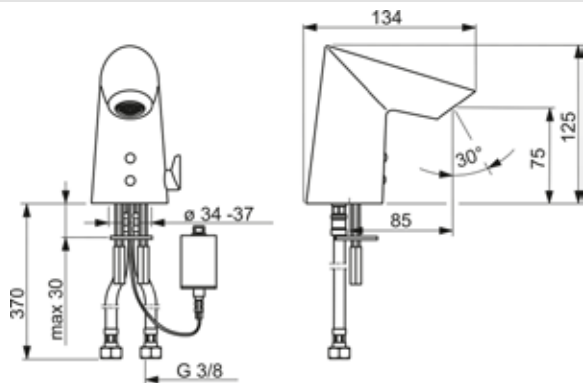
HANSAFIT ECO+

65412219

Chrome

**Washbasin faucet |
Touchless/Battery-operated/Bluetooth® |
Deck mounted (1 hole), DN15**

EAN 4057304014147



· Software settings adjustable via App

· Faucet is GGT-approved user test GOOD

Flow-rate at 3 bar (with flow controller): 4.8 l/min
Hot water supply: max. +70°C



CE

- Temperature control handle
- Adjustable hot water stop (included, retrofittable)
- Flexible inlet pipes | (G3/8)

Backflow prevention (EN1717): AA

- Mixing valve for manual temperature control
- Non-return valve(s)
- Litter filter(s)

- Autofocus infrared sensor
- Solenoid valve
- Low battery indicator
- Battery: Lithium 2CR5 6 V
- Without pop-up waste | Without draw-rod opening
- **Automatic flush frequency:** off (off/1-120 h)
– Automatic flush period: 30 s (1-1800 s)

- Projection: 85 mm
- Fixed spout
- Aerator type: Hidden aerator
- Max. flow period: 2 min (1 - 1800 s)
- Operating voltage: 6 V

Accessories: Cover plug, 1010 087V

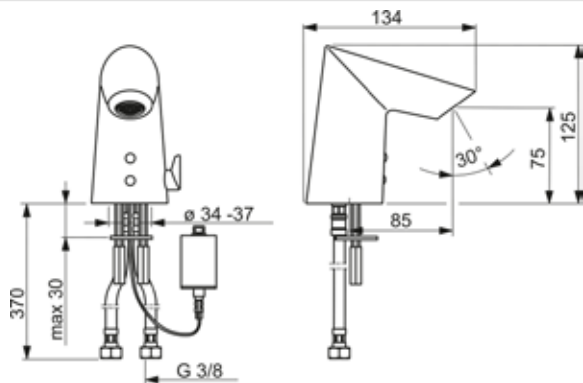
HANSAFIT ECO+

65412009

Chrome

**Washbasin faucet |
Touchless/Plug transformer/Bluetooth® |
Deck mounted (1 hole), DN15**

EAN 4057304014154



· Software settings adjustable via App

Flow-rate at 3 bar (with flow controller): 4.8 l/min
Hot water supply: max. +70°C



CE

- Temperature control handle
- Adjustable hot water stop (included, retrofittable)
- Flexible inlet pipes | (G3/8)

Backflow prevention (EN1717): AA

- Mixing valve for manual temperature control
- Non-return valve(s)

- Litter filter(s)
- Autofocus infrared sensor
- Solenoid valve
- Power supply
- Without pop-up waste | Without draw-rod opening
- **Automatic flush frequency:** off (off/1-120 h)

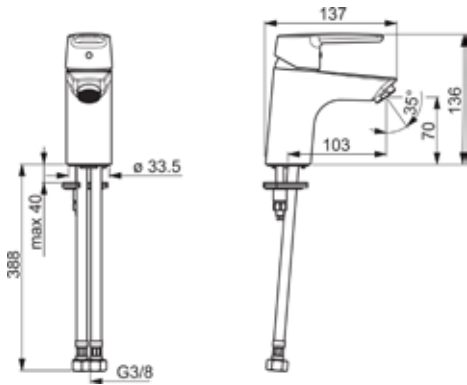
- Automatic flush period: 30 s (1-1800 s)
- Projection: 85 mm
- Fixed spout
- Aerator type: Hidden aerator
- Max. flow period: 2 min (1 - 1800 s)
- Operating voltage: 9/12 V

Accessories: Transformer, 230/12 VDC 1A, 6499 0100

Cold Start

HANSAPOLO ECO

5142229300066 Chrome



Washbasin faucet |
Single-lever/Cold Start |
Deck mounted (1 hole), DN15

EAN 4057304018374



· Inner body made of DZR brass

Flow-rate at 3 bar (with flow controller): 6 l/min

Eco-flow at 3 bar: 4.08 l/min

Hot water supply: max. +70°C



NEW

KIWA SE Energymark: 1408 | KIWA SE Type Approval: 1441 | C €

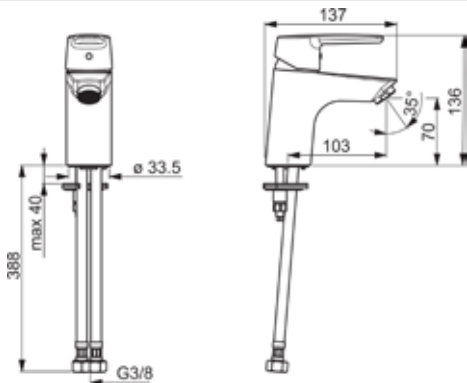
- Single operating lever/handle
- Hot/Cold symbols
- Limitation option for maximum temperature and flow-rate
- Energy saving variation (Cold Start) - cold water in the middle position

- Flexible inlet pipes | (G3/8)
- **Backflow prevention (EN1717): AA**
- \varnothing 35 mm ceramic eco cartridge for flow and temperature control
- Without pop-up waste | Without draw-rod opening
- Projection: 103 mm

- Fixed spout
- Aerator type: PCA® - constant flow rate regardless of pressure variations

HANSAPOLO ECO

5142229300056 Chrome



Washbasin faucet |
Single-lever/Cold Start |
Deck mounted (1 hole), DN15

EAN 4057304018381



· Inner body made of DZR brass

Flow-rate at 3 bar (with flow controller): 4.2 l/min

Eco-flow at 3 bar: 3 l/min

Hot water supply: max. +70°C



NEW

KIWA SE Type Approval: 1441 | C €

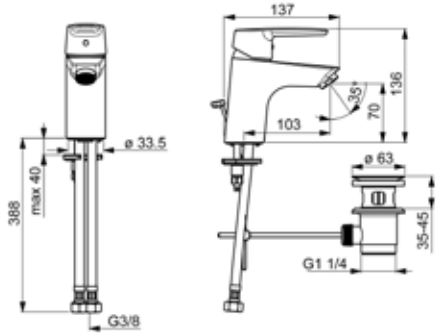
- Single operating lever/handle
- Hot/Cold symbols
- Limitation option for maximum temperature and flow-rate
- Energy saving variation (Cold Start) - cold water in the middle position

- Flexible inlet pipes | (G3/8)
- **Backflow prevention (EN1717): AA**
- \varnothing 35 mm ceramic eco cartridge for flow and temperature control
- Without pop-up waste | Without draw-rod opening
- Projection: 103 mm

- Fixed spout
- Aerator type: PCA® - constant flow rate regardless of pressure variations

HANSAPOLO ECO

5140229300676 Chrome



Washbasin faucet |
Single-lever/Cold Start |
Deck mounted (1 hole), DN15

EAN 4057304002816



- Inner body made of DZR brass
- Rapid installation system
- according to NF077, C3 classified

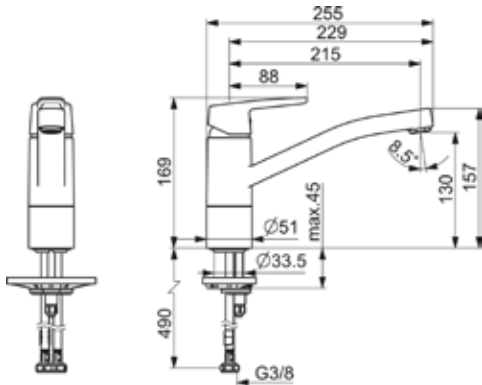
Flow-rate at 3 bar: 12 l/min
Eco-flow at 3 bar: 4.8 l/min
Hot water supply: max. +70°C

CE

- Single operating lever/handle
- Hot/Cold symbols
- Limitation option for maximum temperature and flow-rate
- Adjustable hot water stop (included, retrofittable)
- Energy saving variation (Cold Start) - cold water in the middle position
- Pop-up waste with draw-rod
- Flexible inlet pipes | (G3/8)
- Ø 35 mm ceramic eco cartridge for flow and temperature control
- Projection: 103 mm
- Fixed spout
- Aerator type: Standard aerator

HANSAPOLO ECO

5148229300046 Chrome



Kitchen faucet |
Single-lever/Cold Start |
Deck mounted (1 hole), DN15

EAN 4057304018404



NEW



- Inner body made of DZR brass

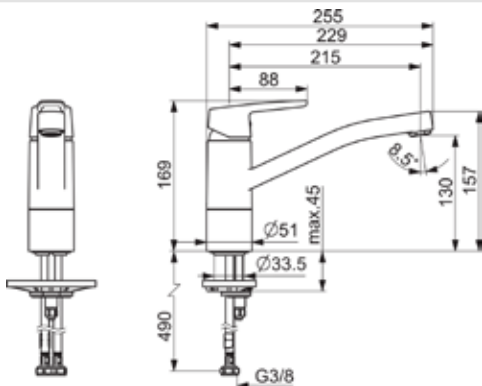
Flow-rate at 3 bar: 3.36 l/min
Flow-rate at 3 bar (with flow controller): 3.36 l/min
Eco-flow at 3 bar: 2.7 l/min
Hot water supply: max. +70°C

CE

- Single operating lever/handle
- Hot/Cold symbols
- Limitation option for maximum temperature and flow-rate
- Adjustable hot water stop (included, retrofittable)
- Energy saving variation (Cold Start) - cold water in the middle position
- Flexible inlet pipes | (G3/8)
- Backflow prevention (EN1717): AA
- Ø 35 mm ceramic eco cartridge for flow and temperature control
- Projection: 215 mm
- Spout swivel range: 120° (80° / 40°)
- Swivel spout
- Swivel range limiting option
- Aerator type: Standard aerator

HANSAPOLO ECO

5148229300066 Chrome



Kitchen faucet |
Single-lever/Cold Start |
Deck mounted (1 hole), DN15

EAN 4057304018428



NEW



- Inner body made of DZR brass

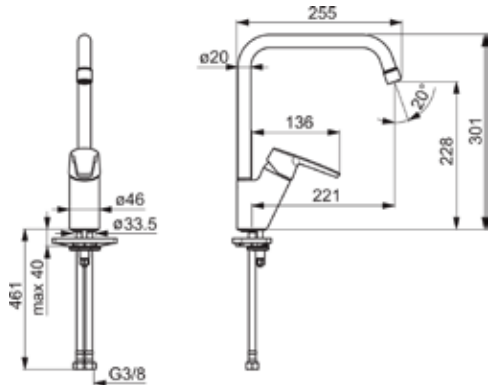
Flow-rate at 3 bar: 6 l/min
Flow-rate at 3 bar (with flow controller): 6 l/min
Eco-flow at 3 bar: 3.96 l/min
Hot water supply: max. +70°C

CE

- Single operating lever/handle
- Hot/Cold symbols
- Limitation option for maximum temperature and flow-rate
- Adjustable hot water stop (included, retrofittable)
- Energy saving variation (Cold Start) - cold water in the middle position
- Flexible inlet pipes | (G3/8)
- Backflow prevention (EN1717): AA
- Ø 35 mm ceramic eco cartridge for flow and temperature control
- Projection: 215 mm
- Spout swivel range: 120° (80° / 40°)
- Swivel spout
- Swivel range limiting option
- Aerator type: Standard aerator

HANSAPOLO ECO

5270220300046 Chrome



CE

**Kitchen faucet |
Single-lever/Cold Start |
Deck mounted (1 hole), DN15**

Flow-rate at 3 bar: 3.36 l/min
Flow-rate at 3 bar (with flow controller): 3.36 l/min
Eco-flow at 3 bar: 2.7 l/min
Hot water supply: max. +70°C

EAN 4057304018411



NEW



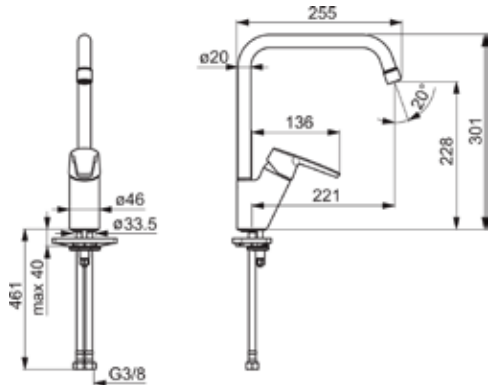
- Single operating lever/handle
- Hot/Cold symbols
- Limitation option for maximum temperature and flow-rate
- Adjustable hot water stop (included, retrofittable)

- Energy saving variation (Cold Start) - cold water in the middle position
- Flexible inlet pipes | (G3/8)
- **Backflow prevention (EN1717): AA**
- ø 35 mm ceramic eco cartridge for flow and temperature control

- Projection: 221 mm
- Spout swivel range: 120° (60° / 0°)
- Swivel spout
- Swivel range limiting option
- Aerator type: Standard aerator

HANSAPOLO ECO

5270220300066 Chrome



CE

**Kitchen faucet |
Single-lever/Cold Start |
Deck mounted (1 hole), DN15**

Flow-rate at 3 bar: 6 l/min
Flow-rate at 3 bar (with flow controller): 6 l/min
Eco-flow at 3 bar: 4.5 l/min
Hot water supply: max. +70°C

EAN 4057304018435



NEW



- Single operating lever/handle
- Hot/Cold symbols
- Limitation option for maximum temperature and flow-rate
- Energy saving variation (Cold Start) - cold water in the middle position

- Flexible inlet pipes | (G3/8)
- **Backflow prevention (EN1717): AA**
- ø 35 mm ceramic eco cartridge for flow and temperature control
- Projection: 221 mm
- Spout swivel range: 120° (60° / 0°)

- Swivel spout
- Swivel range limiting option
- Aerator type: Standard aerator

Thermostats

<p>HANSAMICRA ECO</p>	<p>581501710006 Chrome</p> <p>Shower faucet Thermostatic Wall mounted, DN15</p> <p>Flow-rate at 3 bar (with flow controller): 5.58 l/min Eco-flow at 3 bar: 4.98 l/min Hot water supply: max. +80°C – Eco flow control</p>	<p>EAN 4057304018466</p> <p>NEW</p>
<p>38° III</p> <p>DVGW: DW-6509CT0298 ABP: PA-IX 7306/1B ACS: ACC 18 LY 441_Micra_Unita C €</p>	<ul style="list-style-type: none"> • Eco feature for water flow • Safety feature for water temperature • Safety stop against scalding at 38°C • The housing of the fittings conducts minimal heat • Eccentric coupling(s) (G3/4) 	<ul style="list-style-type: none"> • Backflow prevention (EN1717): EB • Ceramic head part for flow control • Thermostatic cartridge for automatic temperature control • Non-return valve(s)

- Litter filter(s)

<p>HANSAMICRA ECO</p>	<p>581501710007 Chrome</p> <p>Shower faucet Thermostatic Wall mounted, DN15</p> <p>Flow-rate at 3 bar (with flow controller): 7.5 l/min Eco-flow at 3 bar: 6.96 l/min Hot water supply: max. +80°C – Eco flow control</p>	<p>EAN 4057304018473</p> <p>NEW</p>
<p>38° III</p> <p>DVGW: DW-6509CT0298 ABP: PA-IX 7306/1B ACS: ACC 18 LY 441_Micra_Unita C €</p>	<ul style="list-style-type: none"> • Inner body made of DZR brass • Eco feature for water flow • Safety feature for water temperature • Safety stop against scalding at 38°C • The housing of the fittings conducts minimal heat • Eccentric coupling(s) (G3/4) 	<ul style="list-style-type: none"> • Backflow prevention (EN1717): EB • Ceramic head part for flow control • Thermostatic cartridge for automatic temperature control • Non-return valve(s)

- Litter filter(s)

<p>HANSAMICRA ECO</p>	<p>581501710009 Chrome</p> <p>Shower faucet Thermostatic Wall mounted, DN15</p> <p>Flow-rate at 3 bar (with flow controller): 8.7 l/min Eco-flow at 3 bar: 8.46 l/min Hot water supply: max. +80°C – Eco flow control</p>	<p>EAN 4057304018480</p> <p>NEW</p>
<p>38° III</p> <p>DVGW: DW-6509CT0298 ABP: PA-IX 7306/1B ACS: ACC 18 LY 441_Micra_Unita C €</p>	<ul style="list-style-type: none"> • Inner body made of DZR brass • Eco feature for water flow • Safety feature for water temperature • Safety stop against scalding at 38°C • The housing of the fittings conducts minimal heat • Eccentric coupling(s) (G3/4) 	<ul style="list-style-type: none"> • Backflow prevention (EN1717): EB • Ceramic head part for flow control • Thermostatic cartridge for automatic temperature control • Non-return valve(s)

- Litter filter(s)

HANSAMICRA ECO

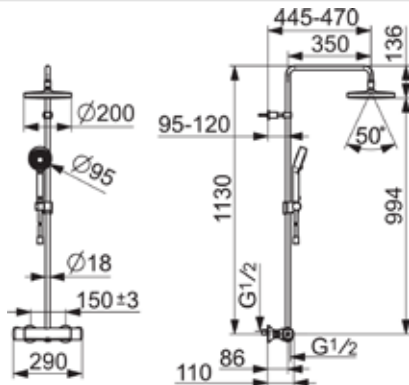
443501300007

Chrome

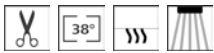
EAN 4057304018497



NEW



ABP: P-IX 29855/IAS | ACS: 20 ACC LY 145 | CE



Shower system |
Thermostatic |
Wall mounted, DN15

· Flexible length / can be shortened

Flow-rate at 3 bar (with flow controller): 7.2 l/min

Hot water supply: max. +65°C

Shower head size: Ø 200 mm

Turn operated diverter

Integrated into flow control handle

- Hand shower
- Shower rail
- Overhead shower
- Adjustable shower rail bracket
- Variable fixing points
- Rotatable ball joint connection
- Anti limescale technology (easy to clean)
- Twist guard for shower hose
- Hand shower size: Ø 95 mm
- 3 spray functions:
- Normal - Even and soft water stream



- Temperature control handle
- Flow control handle
- Safety stop against scalding at 38°C
- The housing of the fittings conducts minimal heat

- Eccentric coupling(s) | External thread | Cover plate(s) | Silencer(s) | (G3/4)

Backflow prevention (EN1717): EB

- Ceramic head part for flow control

- Thermostatic cartridge for automatic temperature control
- Non-return valve(s)
- Litter filter(s)

HANSAMICRA ECO

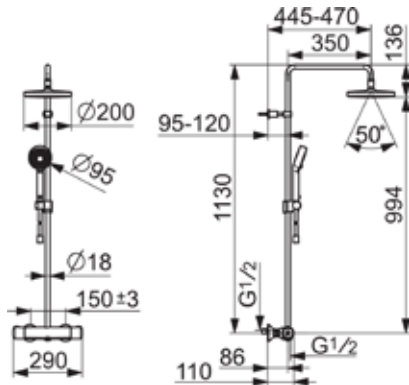
443501300009

Chrome

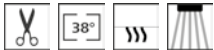
EAN 4057304018503



NEW



ABP: P-IX 29855/IAS | ACS: 20 ACC LY 145 | CE



Shower system |
Thermostatic |
Wall mounted, DN15

· Flexible length / can be shortened

Flow-rate at 3 bar (with flow controller): 9 l/min

Hot water supply: max. +65°C

Shower head size: Ø 200 mm

Turn operated diverter

Integrated into flow control handle

- Hand shower
- Shower rail
- Overhead shower
- Adjustable shower rail bracket
- Variable fixing points
- Rotatable ball joint connection
- Anti limescale technology (easy to clean)
- Twist guard for shower hose
- Hand shower size: Ø 95 mm
- 3 spray functions:
- Normal - Even and soft water stream



- Temperature control handle
- Flow control handle
- Safety stop against scalding at 38°C
- The housing of the fittings conducts minimal heat

- Eccentric coupling(s) | External thread | Cover plate(s) | Silencer(s) | (G3/4)

Backflow prevention (EN1717): EB

- Ceramic head part for flow control

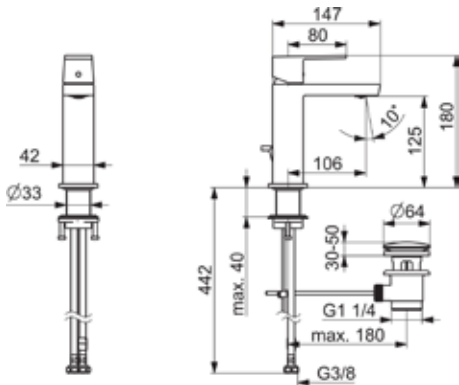
- Thermostatic cartridge for automatic temperature control
- Non-return valve(s)
- Litter filter(s)

Bath

HANSASTELA ECO

57182273

Chrome



ABP: PA-IX 38025/IO | C €

**Washbasin faucet |
Single-lever |
Deck mounted (1 hole)**

· Inner body made of DZR brass

Flow-rate at 3 bar (with flow controller): 4.8 l/min
Hot water supply: max. +70°C

EAN 4057304015182



NEW



- Single operating lever/handle
- Hot/Cold symbols
- Pop-up waste with draw-rod
- Flexible inlet pipes | (G3/8)

Backflow prevention (EN1717): AA

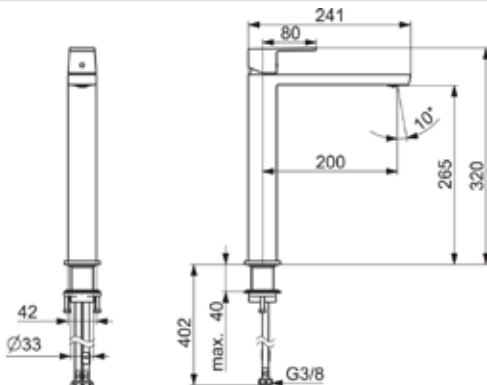
- ø 25 mm ceramic cartridge for flow and temperature control
- Projection: 134 mm

- Fixed spout
- Aerator type: PCA® - constant flow rate regardless of pressure variations | Adjustable flow angle

HANSASTELA ECO

57102273

Chrome



ABP: PA-IX 38025/IO | C €

**Washbasin faucet |
Single-lever |
Deck mounted (1 hole)**

· Inner body made of DZR brass

Flow-rate at 3 bar (with flow controller): 4.8 l/min
Hot water supply: max. +70°C

EAN 4057304015205



NEW



- Single operating lever/handle
 - Hot/Cold symbols
 - Flexible inlet pipes | (G3/8)
- Backflow prevention (EN1717): AA**

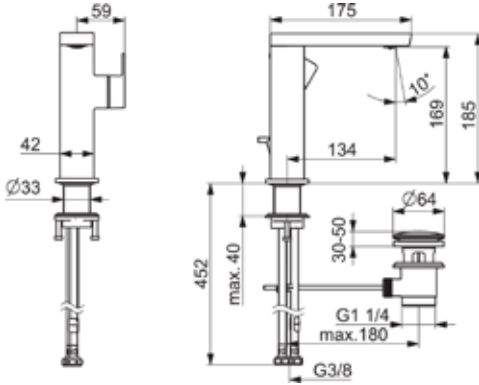
- ø 25 mm ceramic cartridge for flow and temperature control
- Without pop-up waste
- Projection: 200 mm

- Fixed spout
- Aerator type: PCA® - constant flow rate regardless of pressure variations | Adjustable flow angle

HANSASTELA ECO

57152273

Chrome



**Washbasin faucet |
Single-lever, side operated |
Deck mounted (1 hole)**

EAN 4057304015212



NEW

• Inner body made of DZR brass

• swivel spout with detent in middle position

Flow-rate at 3 bar (with flow controller): 4.8 l/min
Hot water supply: max. +70°C



ABP: PA-IX 38026/IO | C €

- Single operating lever/handle
- Hot/Cold symbols
- Pop-up waste with draw-rod
- Flexible inlet pipes | (G3/8)

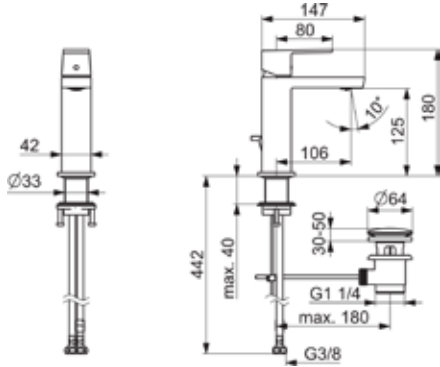
- **Backflow prevention (EN1717): AA**
- ø 25 mm ceramic cartridge for flow and temperature control
- Projection: 134 mm

- Spout swivel range: 150°
- Swivel spout
- Aerator type: PCA® - constant flow rate regardless of pressure variations | Adjustable flow angle

HANSASTELA ECO

57192273

Chrome



**Washbasin faucet |
Single-lever |
Deck mounted (1 hole)**

EAN 4057304015199



NEW

• Inner body made of DZR brass

Flow-rate at 3 bar (with flow controller): 4.8 l/min
Hot water supply: max. +70°C



ABP: PA-IX 38025/IO | C €

- Single operating lever/handle
- Hot/Cold symbols
- Flexible inlet pipes | (G3/8)
- **Backflow prevention (EN1717): AA**

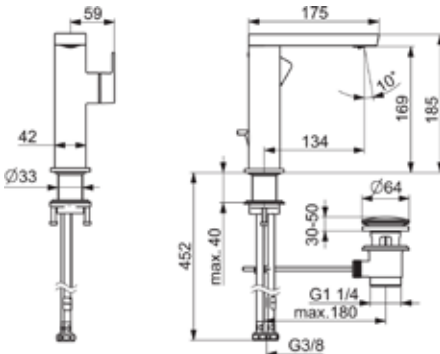
- ø 25 mm ceramic cartridge for flow and temperature control
- Without pop-up waste
- Projection: 134 mm

- Fixed spout
- Aerator type: PCA® - constant flow rate regardless of pressure variations | Adjustable flow angle

HANSASTELA ECO

57142273

Chrome



**Washbasin faucet |
Single-lever, side operated |
Deck mounted (1 hole)**

EAN 4057304015229



NEW

• Inner body made of DZR brass

• swivel spout with detent in middle position

Flow-rate at 3 bar (with flow controller): 4.8 l/min
Hot water supply: max. +70°C



ABP: PA-IX 38026/IO | C €

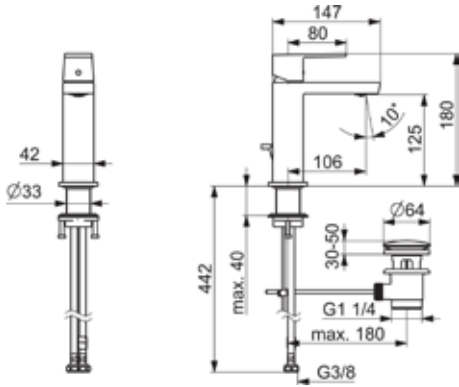
- Single operating lever/handle
- Hot/Cold symbols
- Flexible inlet pipes | (G3/8)
- **Backflow prevention (EN1717): AA**

- ø 25 mm ceramic cartridge for flow and temperature control
- Without pop-up waste
- Projection: 134 mm

- Spout swivel range: 150°
- Swivel spout
- Aerator type: PCA® - constant flow rate regardless of pressure variations | Adjustable flow angle

HANSASTELA ECO

571822730004 Chrome



Washbasin faucet |
Single-lever |
Deck mounted (1 hole), DN15

EAN 4057304018244



NEW

- Inner body made of DZR brass
- Flow-rate at 3 bar (with flow controller): 3.36 l/min
- Hot water supply: max. +70°C



ABP: PA-IX 38025/IO | €€

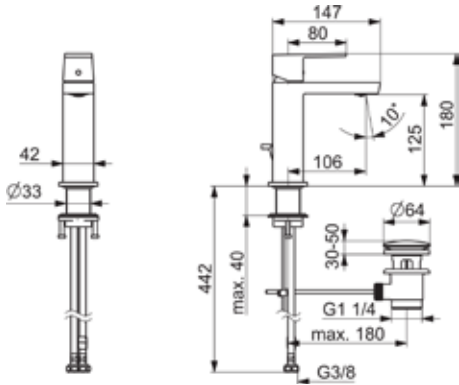
- Single operating lever/handle
- Hot/Cold symbols
- Push pop-up waste without draw-rod
- Flexible inlet pipes | (G3/8)

- Backflow prevention (EN1717): AA**
- ø 25 mm ceramic cartridge for flow and temperature control
 - Projection: 106 mm

- Fixed spout
- Aerator type: PCA® - constant flow rate regardless of pressure variations

HANSASTELA ECO

571822730005 Chrome



Washbasin faucet |
Single-lever |
Deck mounted (1 hole), DN15

EAN 4057304018251



NEW

- Inner body made of DZR brass
- Flow-rate at 3 bar (with flow controller): 3.96 l/min
- Hot water supply: max. +70°C



ABP: PA-IX 38025/IO | €€

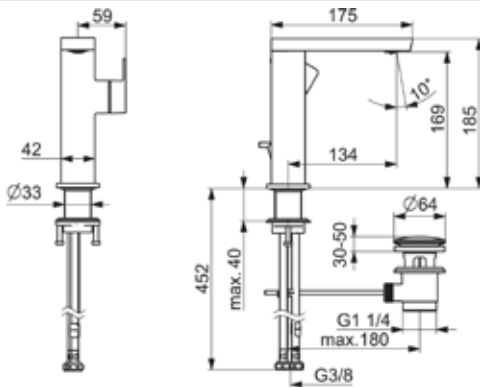
- Single operating lever/handle
- Hot/Cold symbols
- Pop-up waste with draw-rod
- Flexible inlet pipes | (G3/8)

- Backflow prevention (EN1717): AA**
- ø 25 mm ceramic cartridge for flow and temperature control
 - Projection: 106 mm

- Fixed spout
- Aerator type: PCA® - constant flow rate regardless of pressure variations

HANSASTELA ECO

571522730004 Chrome



Washbasin faucet |
Single-lever, side operated |
Deck mounted (1 hole), DN15

EAN 4057304018268



NEW

- Inner body made of DZR brass
- Flow-rate at 3 bar (with flow controller): 3.36 l/min
- Hot water supply: max. +70°C



ABP: PA-IX 38026/IO | €€

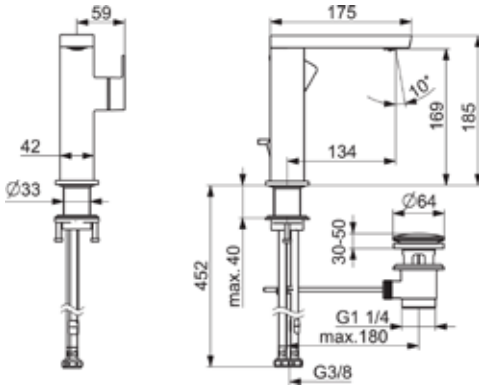
- Single operating lever/handle
- Hot/Cold symbols
- Pop-up waste with draw-rod
- Flexible inlet pipes | (G3/8)

- Backflow prevention (EN1717): AA**
- ø 25 mm ceramic cartridge for flow and temperature control
 - Projection: 134 mm

- Swivel spout
- Aerator type: PCA® - constant flow rate regardless of pressure variations

HANSASTELA ECO

571522730005 Chrome



EAN 4057304018275



NEW

**Washbasin faucet |
Single-lever, side operated |
Deck mounted (1 hole), DN15**

- Inner body made of DZR brass
- Flow-rate at 3 bar (with flow controller): 3.78 l/min**
- Hot water supply: max. +70°C



ABP: PA-IX 38026/IO | CE

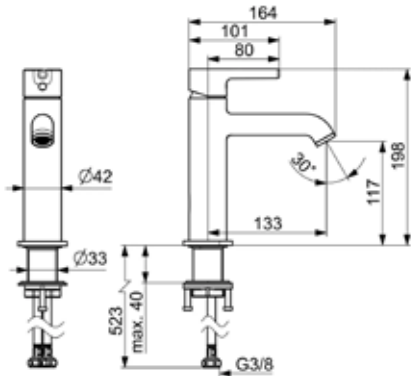
- Single operating lever/handle
- Hot/Cold symbols
- Pop-up waste with draw-rod
- Flexible inlet pipes | (G3/8)

- Backflow prevention (EN1717): AA**
- Ø 25 mm ceramic cartridge for flow and temperature control
- Projection: 134 mm

- Swivel spout
- Aerator type: PCA® - constant flow rate regardless of pressure variations

HANSAVANTIS STYLE ECO

543722070005 Chrome



EAN 4057304019975



NEW

**Washbasin faucet |
Single-lever |
Deck mounted (1 hole)**

- Inner body made of DZR brass
- Eco-flow at 3 bar: 4.2 l/min**
- Hot water supply: max. +70°C



CE

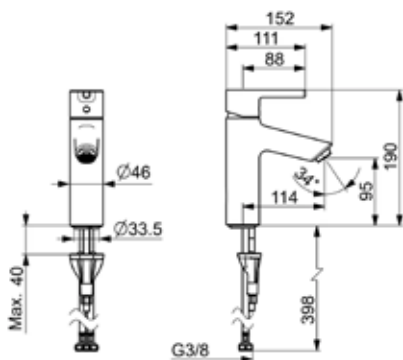
- Single operating lever/handle
- Pin shape
- Hot/Cold symbols
- Limitation option for maximum temperature and flow-rate

- Flexible inlet pipes | (G3/8)
- Backflow prevention (EN1717): AA**
- Ø 30 mm ceramic cartridge for flow and temperature control
- Without pop-up waste

- Projection: 133 mm
- Fixed spout
- Aerator type: Standard aerator | PCA® - constant flow rate regardless of pressure variations

HANSAVANTIS ECO

523722670005 Chrome



EAN 4057304019951



NEW

**Washbasin faucet |
Single-lever |
Deck mounted (1 hole)**

- Inner body made of DZR brass
- 3S-installation system for safe and simple mounting

- Eco-flow at 3 bar: 4.2 l/min**
- Hot water supply: max. +70°C



CE

- Single operating lever/handle
- Pin shape
- Hot/Cold symbols
- Limitation option for maximum temperature and flow-rate

- Flexible inlet pipes | (G3/8)
- Backflow prevention (EN1717): AA**
- Ø 30 mm ceramic cartridge for flow and temperature control
- Projection: 114 mm

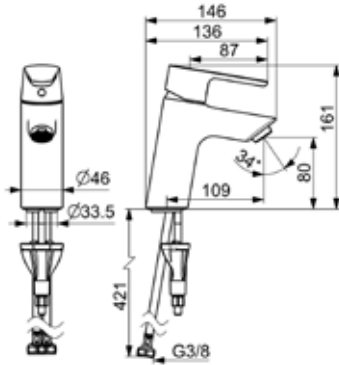
- Fixed spout
- Aerator type: PCA® - constant flow rate regardless of pressure variations



HANSAVANTIS ECO

524222630005

Chrome



Washbasin faucet |
Single-lever |
Deck mounted (1 hole)

EAN 4057304019968

- Inner body made of DZR brass
- 3S-installation system for safe and simple mounting

Eco-flow at 3 bar: 4.2 l/min
Hot water supply: max. +70°C



NEW

CE

- Single operating lever/handle
- Hot/Cold symbols
- Limitation option for maximum temperature and flow-rate
- Flexible inlet pipes | (G3/8)

- **Backflow prevention (EN1717): AA**
- Ø 30 mm ceramic cartridge for flow and temperature control
- Without pop-up waste
- Projection: 109 mm

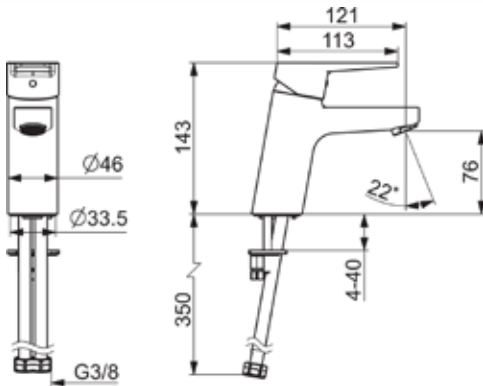
- Fixed spout
- Aerator type: PCA® - constant flow rate regardless of pressure variations



HANSATWIST ECO

090522830004

Chrome



Washbasin faucet |
Single-lever |
Deck mounted (1 hole), DN15

EAN 4057304018299

- Inner body made of DZR brass
- Rapid installation system

Flow-rate at 3 bar (with flow controller): 3.36 l/min
Hot water supply: max. +70°C



NEW

DVGW: NW-6506CQ0410 | KIWA: K6116/08 | ABP: P-IX 29261/IA | CE

- Single operating lever/handle
- Hot/Cold symbols
- Limitation option for maximum temperature and flow-rate
- Adjustable hot water stop (included, retrofittable)

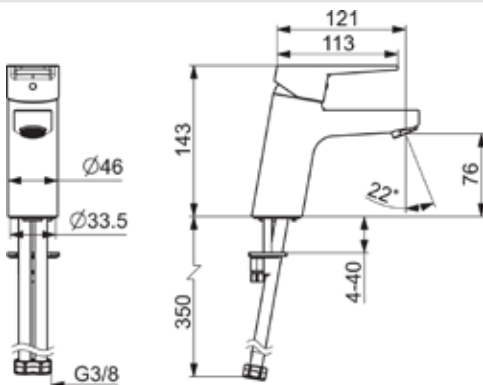
- Flexible inlet pipes | (G3/8)
- **Backflow prevention (EN1717): AA**
- Ø 35 mm ceramic cartridge for flow and temperature control
- Without pop-up waste | Without draw-rod opening

- Projection: 121 mm
- Fixed spout
- Aerator type: PCA® - constant flow rate regardless of pressure variations

HANSATWIST ECO

090522830005

Chrome



Washbasin faucet |
Single-lever |
Deck mounted (1 hole), DN15

EAN 4057304018305

- Inner body made of DZR brass
- Rapid installation system

Flow-rate at 3 bar (with flow controller): 4.2 l/min
Hot water supply: max. +70°C



NEW

DVGW: NW-6506CQ0410 | KIWA: K6116/08 | ABP: P-IX 29261/IA | CE

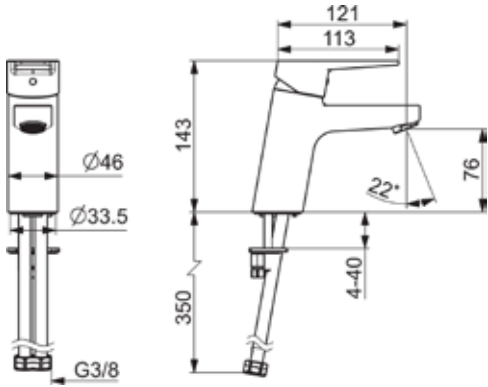
- Single operating lever/handle
- Hot/Cold symbols
- Limitation option for maximum temperature and flow-rate
- Adjustable hot water stop (included, retrofittable)

- Flexible inlet pipes | (G3/8)
- **Backflow prevention (EN1717): AA**
- Ø 35 mm ceramic cartridge for flow and temperature control
- Without pop-up waste | Without draw-rod opening

- Projection: 121 mm
- Fixed spout
- Aerator type: PCA® - constant flow rate regardless of pressure variations

HANSATWIST ECO

090522830002 Chrome



**Washbasin faucet |
Single-lever |
Deck mounted (1 hole), DN15**

EAN 4057304018282



NEW

· Inner body made of DZR brass

Flow-rate at 3 bar (with flow controller): 1.68 l/min
Hot water supply: max. +70°C



DVGW: NW-6506CQ0410 | KIWA: K6116/08 | ABP: P-IX 29261/IA | **CE**

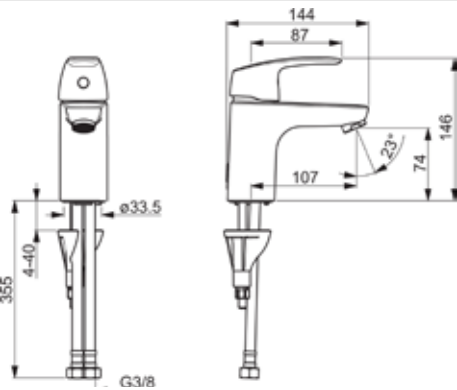
- Single operating lever/handle
- Hot/Cold symbols
- Limitation option for maximum temperature and flow-rate
- Adjustable hot water stop (included, retrofittable)

- Flexible inlet pipes | (G3/8)
- Backflow prevention (EN1717): AA**
- ø 35 mm ceramic cartridge for flow and temperature control
- Without pop-up waste | Without draw-rod opening

- Projection: 121 mm
- Fixed spout
- Aerator type: PCA® - constant flow rate regardless of pressure variations

HANSAPINTO ECO

450622830002 Chrome



**Washbasin faucet |
Single-lever |
Deck mounted (1 hole), DN15**

EAN 4057304018213



NEW

· Inner body made of DZR brass
· 3S-installation system for safe and simple mounting

Flow-rate at 3 bar (with flow controller): 1.68 l/min
Hot water supply: max. +70°C



DVGW: DW-6506CS0561 | KIWA: K6116/08 | ABP: P-IX 29684/IA | **CE**

- Single operating lever/handle
- Hot/Cold symbols
- Limitation option for maximum temperature and flow-rate
- Adjustable hot water stop (included, retrofittable)

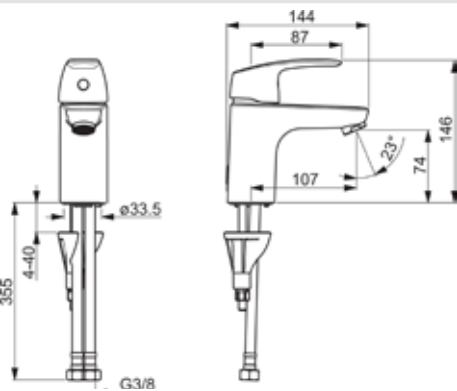
- Flexible inlet pipes | (G3/8)
- Backflow prevention (EN1717): AA**
- ø 40 mm ceramic cartridge for flow and temperature control
- Without pop-up waste | Without draw-rod opening

- Projection: 107 mm
- Fixed spout
- Aerator type: Standard aerator | PCA® - constant flow rate regardless of pressure variations



HANSAPINTO ECO

450622830004 Chrome



**Washbasin faucet |
Single-lever |
Deck mounted (1 hole), DN15**

EAN 4057304018220



NEW

· Inner body made of DZR brass
· 3S-installation system for safe and simple mounting

Flow-rate at 3 bar (with flow controller): 3.36 l/min
Hot water supply: max. +70°C



DVGW: DW-6506CS0561 | KIWA: K6116/08 | ABP: P-IX 29684/IA | **CE**

- Single operating lever/handle
- Hot/Cold symbols
- Limitation option for maximum temperature and flow-rate
- Adjustable hot water stop (included, retrofittable)

- Flexible inlet pipes | (G3/8)
- Backflow prevention (EN1717): AA**
- ø 40 mm ceramic cartridge for flow and temperature control
- Without pop-up waste | Without draw-rod opening

- Projection: 107 mm
- Fixed spout
- Aerator type: Standard aerator | PCA® - constant flow rate regardless of pressure variations



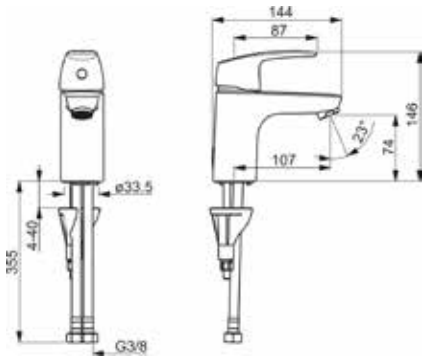
HANSAPINTO ECO

450622830005 Chrome

EAN 4057304018237



NEW



Washbasin faucet | Single-lever | Deck mounted (1 hole), DN15
 • Inner body made of DZR brass
 • 3S-installation system for safe and simple mounting

Flow-rate at 3 bar (with flow controller): 4.2 l/min
 Hot water supply: max. +70°C



DVGW: DW-6506CS0561 | KIWA: K6116/08 | ABP: P-IX 29684/IA | C €

- Single operating lever/handle
- Hot/Cold symbols
- Limitation option for maximum temperature and flow-rate
- Adjustable hot water stop (included, retrofittable)

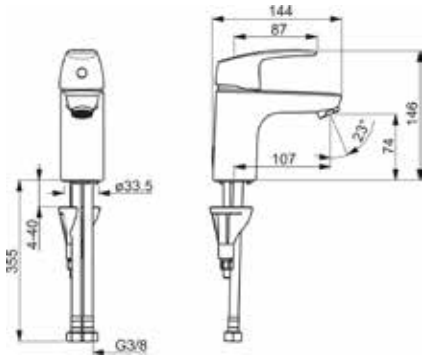
- Flexible inlet pipes | (G3/8)
- Backflow prevention (EN1717): AA**
- ø 40 mm ceramic cartridge for flow and temperature control
- Without pop-up waste | Without draw-rod opening

- Projection: 107 mm
- Fixed spout
- Aerator type: Standard aerator | PCA® - constant flow rate regardless of pressure variations

HANSAPOLO ECO

5150229300676 Chrome

EAN 4057304004001



Washbasin faucet | Single-lever/Cold Start | Deck mounted (1 hole), DN15

- Inner body made of DZR brass
- Rapid installation system
- according to NF077, C3 classified

Flow-rate at 3 bar: 12 l/min
 Flow-rate at 3 bar (with flow controller): 6 l/min
 Eco-flow at 3 bar: 4.8 l/min
 Hot water supply: max. +70°C



KIWA: K6116/08 | ABP: P-IX 29493/IA | C €

- Single operating lever/handle
- Hot/Cold symbols
- Limitation option for maximum temperature and flow-rate
- Adjustable hot water stop (included, retrofittable)

- Energy saving variation (Cold Start) - cold water in the middle position
- Pop-up waste with draw-rod
- Flexible inlet pipes | (G3/8)
- Backflow prevention (EN1717): AA**

- ø 35 mm ceramic cartridge for flow and temperature control
- Projection: 110 mm
- Fixed spout
- Aerator type: PCA® - constant flow rate regardless of pressure variations

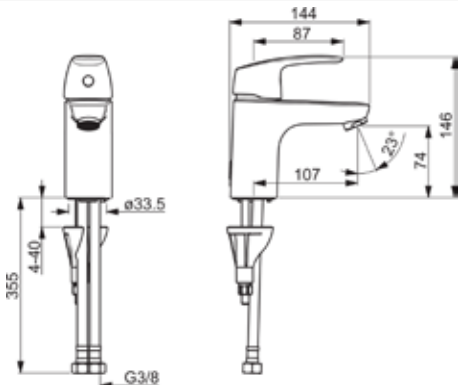
HANSAPOLO ECO

515022930004 Chrome

EAN 4057304018312



NEW



Washbasin faucet | Single-lever | Deck mounted (1 hole), DN15

- Inner body made of DZR brass
- Rapid installation system

Flow-rate at 3 bar (with flow controller): 3.24 l/min
 Hot water supply: max. +70°C



DVGW: NW-6506BP0361 | KIWA: K6116/08 | ABP: P-IX 29493/IA | C €

- Single operating lever/handle
- Hot/Cold symbols
- Limitation option for maximum temperature and flow-rate
- Pop-up waste with draw-rod

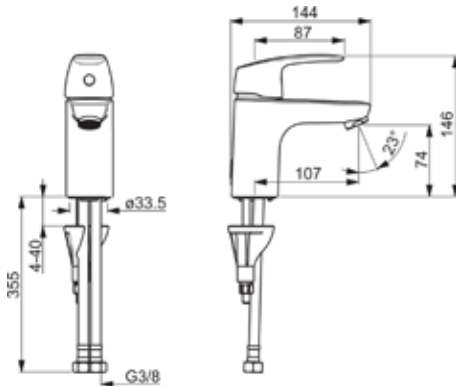
- Flexible inlet pipes | (G3/8)
- Backflow prevention (EN1717): AA**
- ø 35 mm ceramic cartridge for flow and temperature control
- Projection: 110 mm

- Fixed spout
- Aerator type: PCA® - constant flow rate regardless of pressure variations

HANSAPOLO ECO

515022930005

Chrome



**Washbasin faucet |
Single-lever |
Deck mounted (1 hole), DN15**

EAN 4057304018329



NEW

- Inner body made of DZR brass
- Rapid installation system

Flow-rate at 3 bar (with flow controller): 3.66 l/min
Hot water supply: max. +70°C



DVGW: NW-6506BP0361 | KIWA: K6116/08 | ABP: P-IX 29493/IA | CE

- Single operating lever/handle
- Hot/Cold symbols
- Limitation option for maximum temperature and flow-rate
- Pop-up waste with draw-rod

- Flexible inlet pipes | (G3/8)
- Backflow prevention (EN1717): AA**
- Ø 35 mm ceramic cartridge for flow and temperature control
- Projection: 110 mm

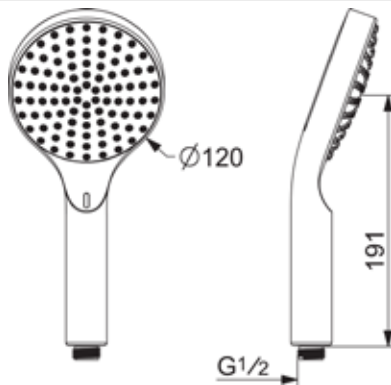
- Fixed spout
- Aerator type: PCA® - constant flow rate regardless of pressure variations

Shower

HANSAACTIVEJET DIGITAL

84310180

Chrome/Light grey



**Hand shower |
Self-powered/Bluetooth®**

EAN 4057304015618



- Display with real time feedback about the water and energy consumption

Flow-rate at 3 bar (with flow controller): 15 l/min
Hot water supply: max. +65°C

- Anti limescale technology (easy to clean)
- Hand shower size: Ø 120 mm
- 1 spray function:
- Sensitive - Gentle water stream



CE

- (G1/2)
- Light indicated function(s)

- Operating voltage: SelfPowered

Accessories: Flow limiter, 9/12L/min, 2900 02

HANSABASICJET ECO

44610400

Chrome



Hand shower

EAN 4057304005350



Flow-rate at 3 bar (with flow controller): 9 l/min
Hot water supply: max. +65°C

- Eco flow control
- Anti limescale technology (easy to clean)
- Hand shower size: Ø 95 mm
- 1 spray function:
- Refreshing - Strong water stream, activates and refreshes body



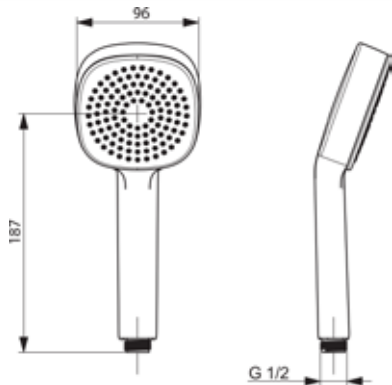
CE

- (G1/2)

HANSABASICJET STYLE ECO

44630500

Chrome



ABP: P-IX 29949/IA | ACS: 18 ACC LY 759 | CE

Hand shower

Flow-rate at 3 bar (with flow controller): 9 l/min

Hot water supply: max. +65°C

- Eco flow control
- Anti limescale technology (easy to clean)
- Hand shower size: Ø 96 mm
- 1 spray function:
 - Refreshing - Strong water stream, activates and refreshes body

EAN 4057304011023

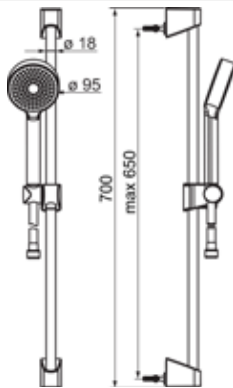


· (G1/2)

HANSABASICJET ECO

44780413

Chrome



CE

Shower set |
Wall mounted |
650 mm

Flow-rate at 3 bar (with flow controller): 9 l/min

Hot water supply: max. +65°C

- Hand shower
- Shower rail
- Adjustable shower rail bracket
- Shower hose (1750 mm)
- Eco flow control
- Hand shower size: Ø 95 mm
- 1 spray function:
 - Intense - invigorating water stream

EAN 4057304018534



NEW



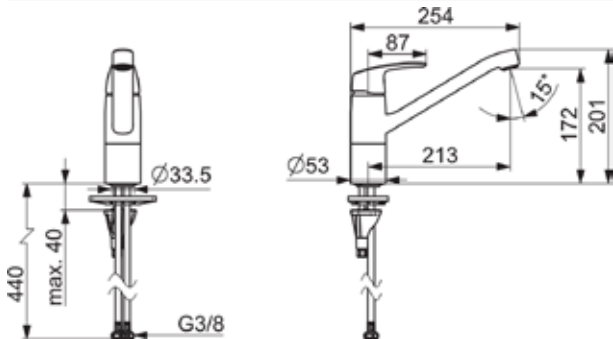
· (G1/2)

Kitchen

HANSAPINTO ECO

450822930004

Chrome



DVGW: DW-6506CS0561 | KIWA: K6116/08 | ABP: P-IX 29713/IB | CE

Kitchen faucet |
Single-lever |
Deck mounted (1 hole), DN15

- Inner body made of DZR brass
- 3S-installation system for safe and simple mounting

Flow-rate at 3 bar (with flow controller): 3.36 l/min

Hot water supply: max. +70°C

EAN 4057304018336



NEW



- Single operating lever/handle
- Hot/Cold symbols
- Limitation option for maximum temperature and flow-rate
- Flexible inlet pipes | (G3/8)

Backflow prevention (EN1717): AA

- Ø 40 mm ceramic cartridge for flow and temperature control
- Projection: 213 mm
- Spout swivel range: 120° (80° / 40°)

- Swivel spout
- Swivel range limiting option
- Aerator type: Standard aerator

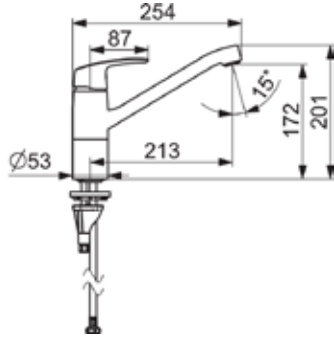
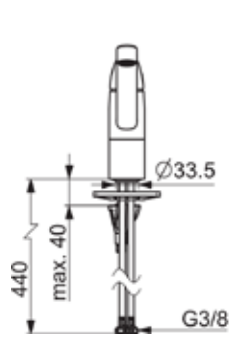
HANSAPINTO ECO

450822930007 Chrome

EAN 4057304018350



NEW



**Kitchen faucet |
Single-lever |
Deck mounted (1 hole), DN15**

- Inner body made of DZR brass
- 3S-installation system for safe and simple mounting

Flow-rate at 3 bar (with flow controller): 6.96 l/min
Hot water supply: max. +70°C



DVGW: DW-6506CS0561 | KIWA: K6116/08 | ABP: P-IX 29713/IB | CE

- Single operating lever/handle
- Hot/Cold symbols
- Limitation option for maximum temperature and flow-rate

- Flexible inlet pipes | (G3/8)
- Backflow prevention (EN1717): AA**
- Ø 40 mm ceramic cartridge for flow and temperature control

- Projection: 213 mm
- Spout swivel range: 120° (80° / 40°)
- Swivel spout
- Aerator type: Standard aerator

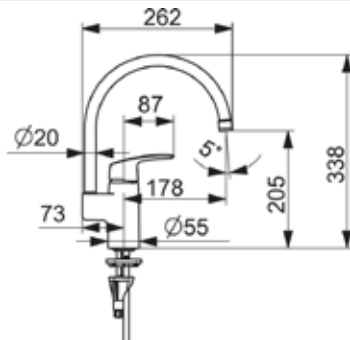
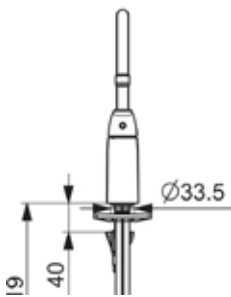
HANSAPINTO ECO

450822930005 Chrome

EAN 4057304018343



NEW



**Kitchen faucet |
Single-lever |
Deck mounted (1 hole), DN15**

- Inner body made of DZR brass
- 3S-installation system for safe and simple mounting

Flow-rate at 3 bar (with flow controller): 4.2 l/min
Hot water supply: max. +70°C



DVGW: DW-6506CS0561 | KIWA: K6116/08 | ABP: P-IX 29713/IB | CE

- Single operating lever/handle
- Hot/Cold symbols
- Limitation option for maximum temperature and flow-rate
- Flexible inlet pipes | (G3/8)

- Backflow prevention (EN1717): AA**
- Ø 40 mm ceramic cartridge for flow and temperature control
- Projection: 213 mm
- Spout swivel range: 120° (80° / 40°)

- Swivel spout
- Swivel range limiting option
- Aerator type: Standard aerator

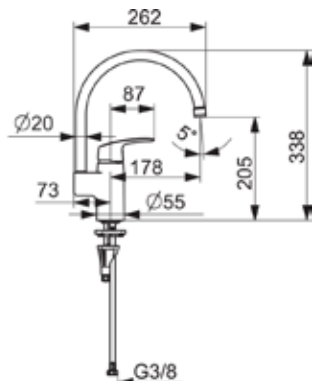
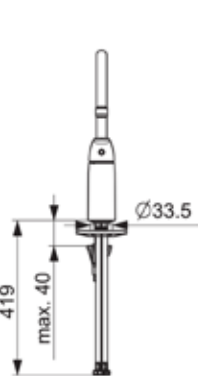
HANSAPINTO ECO

452822030004 Chrome

EAN 4057304018367



NEW



**Kitchen faucet |
Single-lever |
Deck mounted (1 hole), DN8**

- 3S-installation system for safe and simple mounting

Flow-rate at 3 bar (with flow controller): 3.36 l/min
Hot water supply: max. +70°C



CE

- Single operating lever/handle
- Hot/Cold symbols
- Limitation option for maximum temperature and flow-rate
- Flexible inlet pipes | (G3/8)

- Backflow prevention (EN1717): AA**
- Ø 40 mm ceramic cartridge for flow and temperature control
- Projection: 178 mm
- Spout swivel range: 120° (0° / 60°)

- Swivel spout
- Swivel range limiting option
- Aerator type: Standard aerator



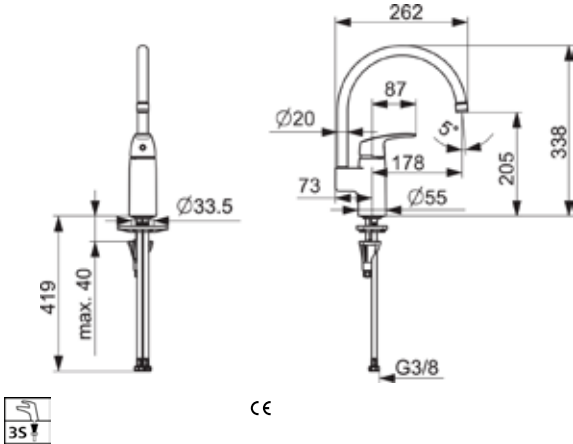
HANSAPINTO ECO

452822030005 Chrome

EAN 4057304018398



NEW



**Kitchen faucet |
Single-lever |
Deck mounted (1 hole), DN8**

· 3S-installation system for safe and simple mounting

Flow-rate at 3 bar (with flow controller): 4.2 l/min
Hot water supply: max. +70°C



CE

- Single operating lever/handle
- Hot/Cold symbols
- Limitation option for maximum temperature and flow-rate
- Flexible inlet pipes | (G3/8)

- **Backflow prevention (EN1717): AA**
- ø 40 mm ceramic cartridge for flow and temperature control
- Projection: 178 mm
- Spout swivel range: 120° (0° / 60°)

- Swivel spout
- Swivel range limiting option
- Aerator type: Standard aerator

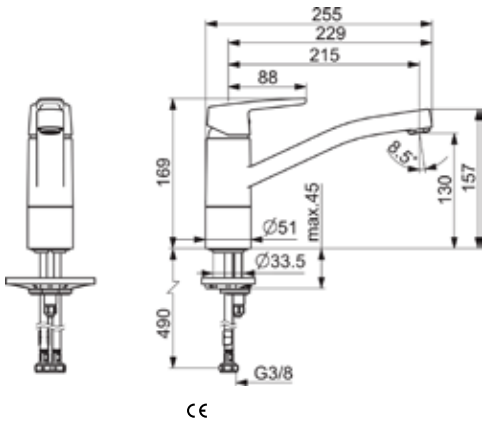
HANSAPOLO ECO

5148229300066 Chrome

EAN 4057304018428



NEW



**Kitchen faucet |
Single-lever/Cold Start |
Deck mounted (1 hole), DN15**

· Inner body made of DZR brass

Flow-rate at 3 bar: 6 l/min
Flow-rate at 3 bar (with flow controller): 6 l/min
Eco-flow at 3 bar: 3.96 l/min
Hot water supply: max. +70°C



CE

- Single operating lever/handle
- Hot/Cold symbols
- Limitation option for maximum temperature and flow-rate
- Adjustable hot water stop (included, retrofittable)

- Energy saving variation (Cold Start) - cold water in the middle position
- Flexible inlet pipes | (G3/8)
- **Backflow prevention (EN1717): AA**
- ø 35 mm ceramic eco cartridge for flow and temperature control

- Projection: 215 mm
- Spout swivel range: 120° (80° / 40°)
- Swivel spout
- Swivel range limiting option
- Aerator type: Standard aerator

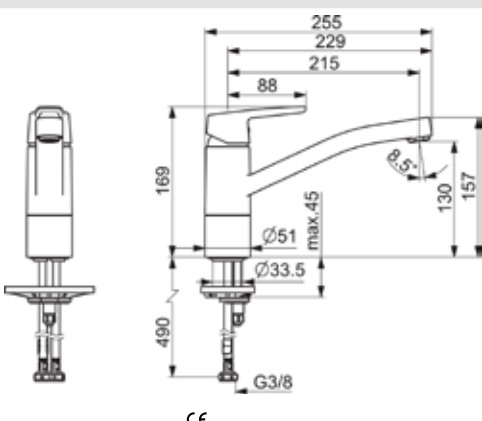
HANSAPOLO ECO

5148229300046 Chrome

EAN 4057304018404



NEW



**Kitchen faucet |
Single-lever/Cold Start |
Deck mounted (1 hole), DN15**

· Inner body made of DZR brass

Flow-rate at 3 bar: 3.36 l/min
Flow-rate at 3 bar (with flow controller): 3.36 l/min
Eco-flow at 3 bar: 2.7 l/min
Hot water supply: max. +70°C



CE

- Single operating lever/handle
- Hot/Cold symbols
- Limitation option for maximum temperature and flow-rate
- Adjustable hot water stop (included, retrofittable)

- Energy saving variation (Cold Start) - cold water in the middle position
- Flexible inlet pipes | (G3/8)
- **Backflow prevention (EN1717): AA**
- ø 35 mm ceramic eco cartridge for flow and temperature control

- Projection: 215 mm
- Spout swivel range: 120° (80° / 40°)
- Swivel spout
- Swivel range limiting option
- Aerator type: Standard aerator

Pictogram overview

Health

	Touch-free operation. Maximum comfort, maximum hygiene.
	Thermostat is suitable for thermal disinfection. This is particularly important for public or large-scale facilities.
	Brass in contact with drinking water contains less than 0.3% lead.
	Surface finishes in contact with drinking water do not have a nickel coating.

Safety

	Our thermostats offer maximum safety with scalding protection.
	THERMO COOL. Improved safety – the housing of the fitting conducts minimal heat.
	Vacuum breaker according to DIN EN 1717
	Vacuum breaker according to DIN EN 1717
	Valve for shutting off the water inlet to a dishwasher or washing machine at the fitting.

Comfort

	Hybrid function: Combined touch-free and manual operation options.
	Touch-free operation. Maximum comfort, maximum hygiene.
	Spouts can be shortened or are available in different lengths to give you more freedom with planning and design.

	Classic Spray		Cascade Spray
	Intense Spray		Rain Spray
	Massage/ Pulsating Spray		Sensitive Spray
	Active Spray		

Technology

	Low-pressure fitting – for accordingly designed systems.
	Battery operation – fittings with battery or battery-powered functions.
	Mains operation – fittings for connecting to the mains power with exposed or concealed power supply units.
	Ventilation in the pipe system – components and features designed for purposes such as draining spouts hygienically.
	Pipe aerator – assuring the specified protection of the fitting.
	HANSA 3S: System for safe and secure installation.
	Tap for cold or pre-mixed water with only one inlet.
	Setting, Control and monitoring of the mixer's functions possible thanks to the HANSA-App.

The Bluetooth® name mark description and logos are property of Bluetooth SIG, Inc., and its use is licenced for Hansa Armaturen GmbH. Other brands and trade names are property of the respective owners.

HANSA Head Office

HANSA Armaturen GmbH
Sigmaringer Str. 107
70567 Stuttgart
Tel.: +49 711 1614-0
Fax: +49 711 1614-368
info@hansa.com

hansa.com

