



Perfectly fit for
the health and
care sector

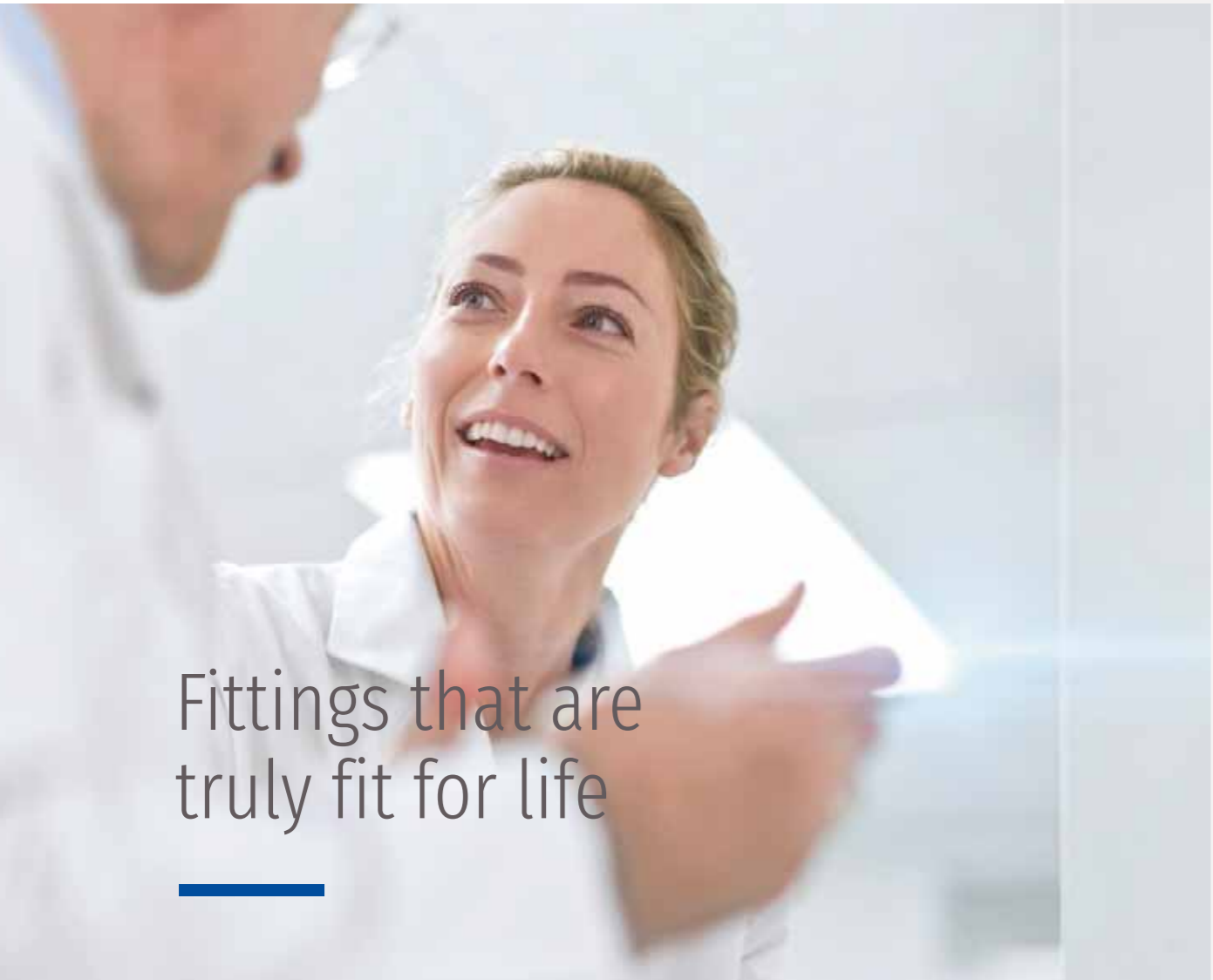


Designed to elevate safety and
comfort in sensitive environments



Table of contents

Introduction	4	Fittings that are truly fit for life
	6	Providing optimal hygiene conditions
	10	Designed for everyone's safety
	12	The simple route to maximum comfort
	14	Environmentally and budget friendly
	16	A digital toolbox
	References	18
20		University Hospital Heidelberg
22		Helsingborgs Lasarett
24		Children's Hospital in Helsinki
26		The De Leyhoeve residence, Tilburg
Health		28
	30	HANSAMEDIPRO
	32	HANSAMEDICA
	38	HANSACLINICA
	40	HANSATEMPRA
	45	HANSAELECTRA
	Care	46
48		HANSACARE
50		HANSAMINIMAT
54		HANSAMEDICA
56		HANSAFIT
57		HANSA functional handshower
58		HANSAMEDIPRO FLEX
59		HANSAEMOTION Wellfit
60		Touchless faucets
Upgrade rooms		62
Product overview	68	



Fittings that are truly fit for life

At HANSA, we're determined to provide smart fittings that can fit into every environment, and which are capable of handling any demand.

This is especially important when considering sensitive settings within the health and care sector. And it's why our fittings are specifically designed to meet the high standards required of any hospital, clinic, or other healthcare facility. Developed in collaboration with healthcare professionals and shaped by a desire to optimise ergonomics and reliability – while exceeding expectations in hygiene, safety, flexibility and comfort.

Divided into two categories – Health and Care – our range covers every avenue when it comes to the health and wellbeing of staff and patients.

And, with more than 100 years of experience behind us, you can also rely on our expert advice and support at every step of your journey.



Health

High-performance environments such as hospitals demand high performance hygiene solutions. Designed to make life easier for professionals while also meeting strict regulatory requirements.

Care

Whether for use in private homes or within a semi-professional care setting, our care range offers safety, comfort and reliability. For a wide range of users with a wide range of motor skills.



At HANSA, we put people's needs at the heart of everything we do.

With fittings designed to:

1. Lower risk of contamination

With thermal disinfection functionality, laminar flow capabilities, easy-to-clean surfaces, and fully sealed connections, our solutions reduce microbes and aerosols.

2. Improve safety in challenging environments

Our solutions are built for purpose and include anti-scald features which ensure a maximum water temperature, to avoid burn injuries.

3. Optimise ease of use

Well-placed markings and easy-to-use levers and operating elements simplify daily procedures for staff and patients, making them a safe investment for health and care facilities.

4. Support sustainability

Using state-of-the-art technology, all our solutions are designed to help you save water – while ensuring you always meet regulatory requirements.

Providing optimal hygiene conditions

Hospital-acquired infections cost more than EUR 7 billion every year. Our faucets are designed to prevent water contamination and the spread of bacteria, making them more than capable of handling the ever-fluctuating demands of the health and care sector.



Touchless:

Built for touchless operation, our faucets are simple to use and eliminate the spread of microbes that result from direct contact – leading to safer conditions.

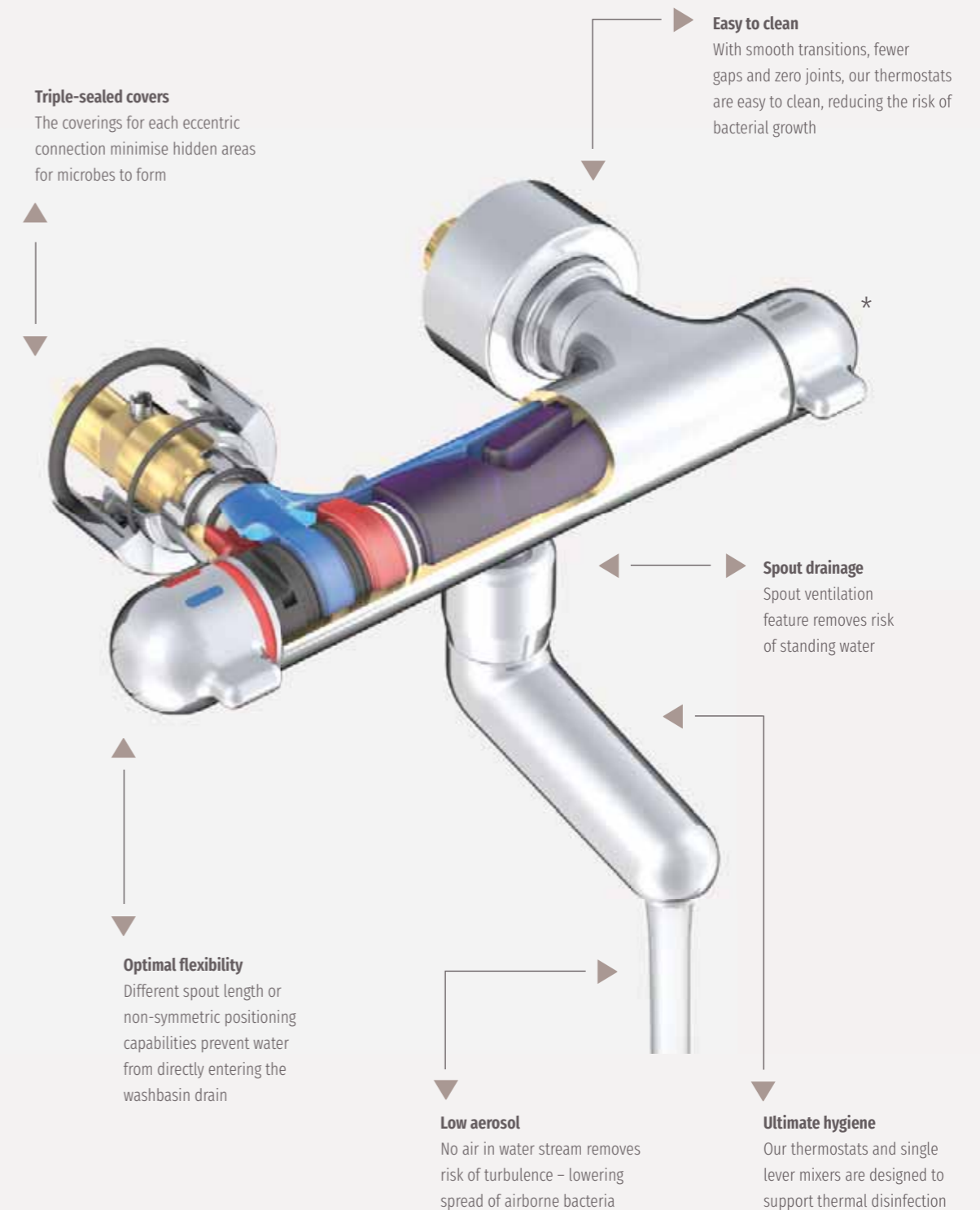


Thermal disinfection:

With the provided tool, activate the rinse setting on the faucet – clearly marked in red – in order for hot water to run through the piping.

Designed for optimal hygiene and safety

Microbes on a faucet can hide everywhere, but with the right design we can enhance hygiene and reduce the risk on contamination.



Average number of microbes on one hand

740 mio

under a ring



7 mio

under each nail

65 bio

in an inflamed wound

Using laminar technology, our faucets are designed to deliver the cleanest water supply. Every time. With a low aerosol stream minimising the formation of bacteria – and protecting people's health for the long term.

The invisible benefits of touchless faucets

Touchless faucets remove the risk of hand-to-hand transmission of bacteria and require less cleaning than conventional faucets. In addition, these faucets can be controlled via a smartphone or other smart device in order to help facilities maintain regulatory requirements for flushing time duration and frequency. Making them perfect for every sensitive environment: from an operating theatre, all the way to a public toilet.

Regular surface



Touchless faucet with up to 80% less bacteria



Reduce up to **80% of bacteria** with touchless faucets



Use the HANSA Connect App to activate and monitor the automatic flush function – and prevent formation of dangerous bacteria such as legionella.



Designed for everyone's safety

When it comes to health and care projects, meeting highly sensitive regulations is a basic – if challenging – requirement. From providing hygiene solutions that make daily tasks easier for staff, thereby keeping them safe on

the job, to ensuring patients are at no risk of being scalded. At HANSA, we'll support your efforts from the offset. Getting to know you and your project demands so that together we can deliver real change.



HANSAPROTEC for the purest drinking water.

Our faucets with HANSAPROTEC are made with nickel-free waterways and contain less than 0.3% lead, for the highest quality water. To further improve purity and reduce the propagation of biofilms, all plastic materials which are expected to come in contact with water are KTW BWGL-approved.



Water hygiene by the book

Water quality is essential for us – and you. Which is why most of our faucets can undergo thermal disinfection, in line with DVGW W 551. Allowing you to provide drinking water that is free of bacteria.



“There is an enormous need for cleanliness in hospitals and nursing facilities. This applies in particular to the water which flows daily from our taps. Hansa products are reassuring in this respect, providing quality we can always rely on.”

Norbert Scholtissek, Technical Director at Orthopädische Klinik Markgröningen and long-term user of HANSA faucets and thermostats

The innovative way to improve safety

Anti-scalding protection

In nursing homes and nurseries, scalding incidents can be a common occurrence. Our intelligent thermostats are designed to prevent any such burn injuries thanks to the following features:

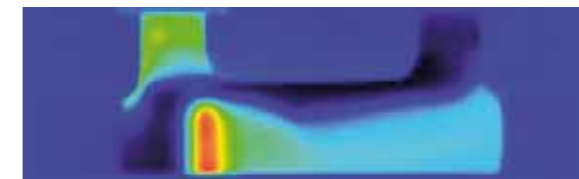
- If cold water stops flowing for any reason, our thermostats will block hot water output
- A built-in hot water stop prevents the temperature rising above 38°C
- To actively change the maximum temperature, you will need to press a special button



And, with VDI 6000 recommendations stating that health and care facilities install thermostats in washbasins – often at a high price – our retrofit mini-thermostat HANSAMINIMAT is a cost-effective way to ensure a safe water temperature.



Double hosing provides thermal separation between the cartridge and cover



Waterways designed to prevent surfaces from becoming too hot

No scalding on the housing

In addition, our thermostats come with THERMO COOL functionality, to prevent external surfaces from heating up.

Reliable and accurate

- Hot water safety lock at 38°C (can be manually set to between 36°-44°) to prevent scalding
- Instant access to accurately defined hot and cold water

Thermal disinfection

Operation is simple, safe and reliable – and designed to protect staff

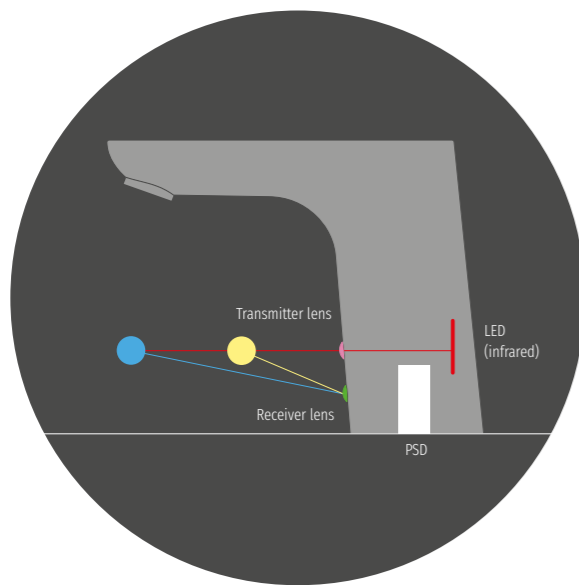
Sustainable and clean

- Double hosing prevents heat conduction
- Water channels made using nickel-free coating

The simple route to maximum comfort

We are determined to create solutions that both healthcare staff and people with physical limitations can use with ease. Take our faucets with long, easy-gliding handles, designed to be operated without risk of injury to the forearm – in addition to improving hygiene.

We also offer functional handshowers, XL variations, swivel spouts, coloured levers for people with low vision, and hot water stops. Designed to maximise versatility, safety and ease-of-use.

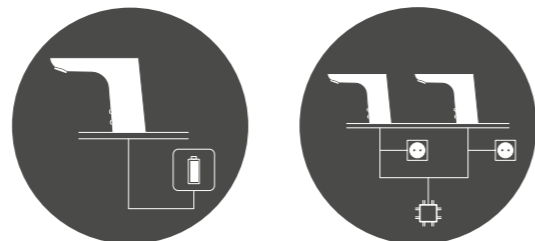


Hands-free technology that delivers

Forget drops, reflections or shiny surfaces – our state-of-the-art PSD sensor technology, designed in-house, ensures our touchless faucets only react to hand movements. Making them as technically brilliant as they are hygienic. And ensuring users a comfortable and almost effortless experience.

Can be battery or mains operated

This will allow planners to maximise flexibility and functionality across different application areas. Resulting in lower maintenance costs and water and energy savings – and helping when it comes to meeting budgetary demands.



Always ready. Always flexible.

Our diverse health and care range is designed to fit a variety of needs. Whether that means ensuring workers the greatest mobility when carrying out challenging tasks, or giving semi-dependent people and patients the confidence to care for themselves..



Levers for every need

designed to meet the demands of any user including people with varying degrees of motor skills.



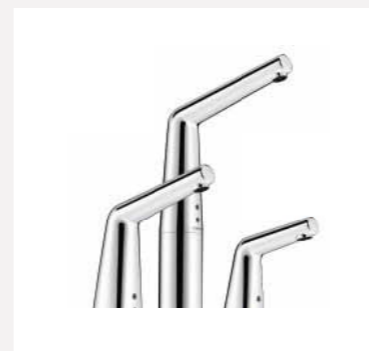
Elbow handled

reduces hand-to-hand transmission of bacteria, making this model perfect for high-risk environments such as an operating theatre.



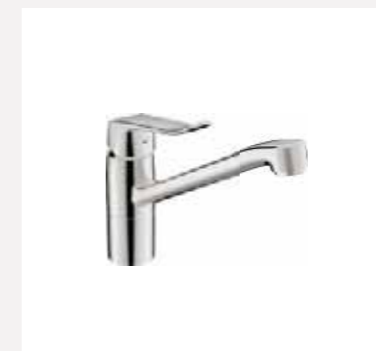
Coloured lever

designed specifically to support people with low vision by making it easier for them to see and operate the faucet.



XL variants

have a high neck, giving users more room to place their hand under the aerator.



Swivel spout

can be moved to a 120° angle, for greater flexibility when filling containers.



Functional hand shower

for wash basin offers greater safety, wellbeing and hygiene.

Environmentally and budget friendly

Sustainability and economics are high priorities when planning health and care projects. Our products are designed to reduce water and energy consumption, making them extremely suitable for cost-conscious and eco-friendly planning – in addition to helping people re-think how they use water.



Choose a better future

Thanks to our sophisticated manufacturing processes and reliance on high-quality materials, our products have an exceptionally long service life.



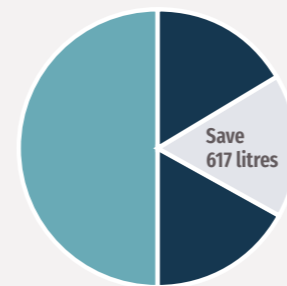
With the right faucet, **reduce water consumption up to 60%**

Getting straight down to business

Using our thermostats, staff can adjust water temperature quickly and eliminate the need to run a faucet unnecessarily. In the long run, helping facilities reduce water consumption up to 60%.

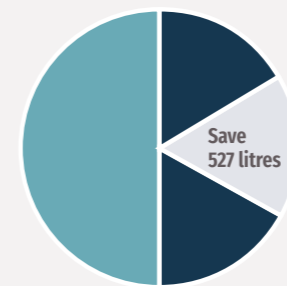
A smarter way to save

Smart thermostat vs. two-handle mixer



Cold water savings

Because thermostats automatically start with the defined temperature



Hot water savings

Because thermostats always reset to desired temperature

- Two-handle mixer
- Smart thermostat

Based on one person showering for five minutes a day, 365 days a year. With each shower using approximately 12l/min at a minimum temperature of 38°C.



Reduce water consumption by **up to 50% with a SMART faucet**

Touchless, efficient and sustainable

Our touchless faucets can cut water consumption anywhere from 30-51%, with reductions noticeably greater in high-use public and health and care settings.

A digital toolbox

We always want you to be in control of your projects. That's why many of our faucets can be controlled and monitored using our smart HANSA Connect App.

Activate automatic sanitation rinsing to prevent formation of microorganisms during periods of inactivity and ensure clean drinking water in sensitive settings such as a hospital. In addition, keep on top of technical

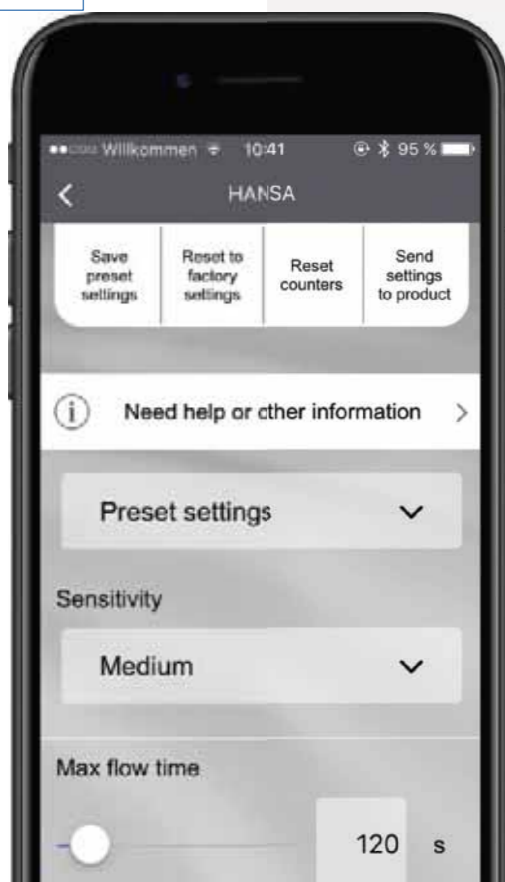
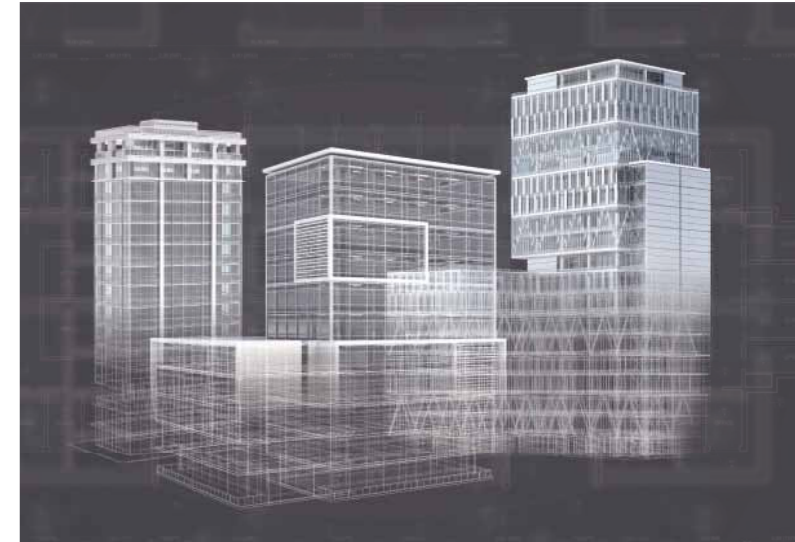
documentation and maintenance by emailing reports to yourself and further improve the way you install and set up faucets.

Simply configure relevant faucets to your smartphone – or any other Bluetooth-enabled device – and get started today.

BIM data
– make planning easier

What you get

- Different levels of 3D data
- Product features
- Recommended applications
- All technical properties
- Direct URL link to data sheet
- Certificates and permits
- Compatible pressure loss calculation with MagiCAD



Open up to a world of opportunity

FLEXIBLE: Customise HANSA**CLINICA**, HANSA**ELECTRA** and HANSA**MEDIPRO** touchless faucets to suit your demands

EFFICIENT: Copy settings from one installation to the next – and save time during larger projects

EASY MAINTENANCE: Do everything from activate automatic sanitation rinsing to monitor

EASY DOCUMENTATION: Streamline the way you access and save technical documentation and maintenance reports

CONVENIENCE: Set parameters with ease and access data at your will

Download the HANSA Connect App today:



Apple and the Apple logo are marks of Apple Inc. registered in the USA and other countries. App Store is a service mark of Apple Inc. Google Play and the Google Play logo are marks of Google Inc.

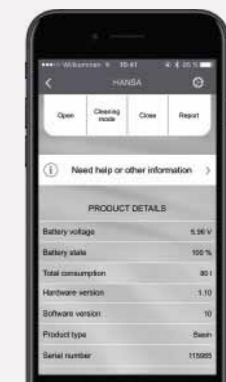
Your personal possibilities and advantages

MONITOR THE FAUCET

- Open and close faucet
- Activate cleaning mode
- Email reports
- Access product details: product type, battery life
- View total consumption
- View time to next automatic flush
- View weekly automatic flush schedule
- View product location

ADJUST THE FAUCET (Password-protected access)

- Input maximum water flow time
- Automatically adjust after-flow time
- Change sensor sensitivity
- Change cleaning mode time
- Activate and schedule next automatic flush
- Select automatic flush time and flush mode
- Adjust waterflow to calculate consumption
- Reset trip counters
- Reset to factory settings
- Change password



Charité – Universitäts- medizin Berlin

How HANSA helped one of Europe's best teaching hospitals maintain its standards – and its reputation.

As one of the largest and most prestigious university hospitals in Europe – and the most prominent representative and defender of healthcare standards in Germany – Berlin Charité must meet specific and strict hygiene standards every day.

In its capacity as a teaching hospital, this means ensuring all fittings are durable and able to safely and securely withstand a variety of hygiene conditions. For HANSA, from a planning point of view, this meant ensuring a constant and reliable source of water.

Turning to our range of versatile and specialised fitting solutions designed for the health sector, we were able to meet the hospital's demands in this arena – and more. Collaborating in 2017 to install a wide range of our products: from our HANSAMEDIPRO wall faucets with object loop lever, to our HANSACARE and HANSATEMPRA exposed thermostats, to a selection of our HANSAMEDIJET hand showers.

Location
Category
Client

Germany
Clinic
SAA Schweger Architekten

Product families

HANSAMEDIPRO, HANSACARE,
HANSATEMPRA, HANSAMEDIJET



1,376 HANSA
fittings can be
found in Charité*

With our products safely in place, the hospital has been able to continue providing a high level of safety and hygiene – instilling the same standards within its students.

*<https://www.charite.de/>



University Hospital Heidelberg

At the crossroads between design and functionality: the HANSA fittings fit for every style requirement.

In 2013, we installed a number of fittings at University Hospital Heidelberg's newly built gynaecology and skin clinics. Each of the 1,500 Hansa products we provided were not only chosen for their high quality and safety, but for their style: with the interior of the clinics designed to convey a sense of comfort and help promote patient wellbeing. With this in mind, our selected fittings, thermostats and showers were the perfect fit: meeting strict medical standards while adding to the overall ambience.

Our **HANSAMEDICA** washbasin fittings can be found in the gynaecology clinic's labour ward and operating theatres, our **HANSAPRISMA** and **HANSATEMPRA** thermostats are used for patient bathing – with integrated scalding protection offering the maximum level of security – and our **HANSAMEDIJET** low-aerosol hand showers can be found in both facilities.



*The five-storey facility is one of Europe's leading university clinics and research institutions**

With this project, we were able to show that hygiene fittings can successfully mix functionality and style. Thereby providing users a safe, healthy and, above all, soothing and memorable experience.

*<https://www.klinikum.uni-heidelberg.de/>

Location	Germany
Category	Clinic
Client	SPS-Architekten
Product families	HANSAMEDICA , HANSAPRISMA , HANSATEMPRA , HANSAMEDIJET



Helsingborgs Lasarett

Ultra-modern fittings fit for an ultra-modern hospital: how Oras tackled a large-scale renovation project with ease.

In 2018, Oras was chosen to provide Helsingborgs Lasarett a number of single-lever and touchless faucets as part of a large renovation project.

Working with corner basins already placed in each hygiene room – designed to free up space for wheelchair users – we opted for our Oras Medipro 5510A faucets. Single-lever faucets designed for easy cleaning, with rounded surfaces and a minimum number of joints where dirt can collect. In addition, and in order to keep high-use surfaces as clean as possible, we installed our touchless Oras Electra 6334FT faucets in every staff washbasin, with other washbasins in the hospital being fitted with our Oras Electra 6222F range.

It was this wide range of fittings that made us the easy choice for such a large project, said Maria Wallin, head of Heating and Sanitation at Sweco Systems.



The entire and very complex renovation is expected to finish in 2027

“The products needed to meet blow-off valve guidelines with regards to factors such as laminar flow. Flushing at 24-hour intervals was also an important function to consider, especially, for example, in helping to minimise growth of legionella bacteria. It was also crucial to choose faucets where the water flow would not hit the washbasin drain, given the risk of bacteria in the strainer that could splash up onto the basin surround.”

“Oras’ faucets lived up to our functional requirements very well.”

Following this project, we were asked to install our touchless Oras Medipro 5521F faucets in the hospital’s north wing, thereby ensuring Helsingborgs Lasarett remain at the forefront of health and safety requirements – while embracing modern design.

Location	Sweden
Category	Hospital
Client	Fojab Arkitekter and BSK Arkitekter
Product families	Oras Medipro, Oras Electra
HANSA product equivalents	HANSAMEDIPRO HANSAELECTRA

Children's Hospital in Helsinki

Tasked with installing hundreds of faucets in the hospital, Oras highlighted the importance of fittings in a healthcare setting.

Step through the doors of the Children's Hospital in Meilahti, Helsinki, and one of the first things you will see is an Oras faucet. In place to provide visitors and staff an easy opportunity to clean wheelchairs, it is one of several hundred to have been donated to the hospital, which chose Oras to cover every one of its water points.

Before opening in 2018, the hospital had to plan every single detail – including, of course, safe and easy-to-use water facilities for most of the patient rooms and rehabilitation/reception facilities. Presented with this task, Oras selected a range of products: Bidetta hand showers, Oras Electra touchless faucets, and surgical hand washing stations with both touchless and traditional faucets – taking every possible scenario into account.

“For example, in premises where the doctors use the taps, hygiene is number one. In these cases, touch-free taps are the right choice,” said Oras Category Manager Juhani Lempinen. “In patient rooms, on the other hand, the nurses must be able to wash their hands, and the patients should be able to pour water they can drink, so hybrid taps were chosen.”



*Fittings were placed in **300+** rooms/areas at the hospital*

Overall, it was a large, collaborative project that Oras was proud to be part of, said Marko Sundholm, Country Manager of Oras Finland. Especially when it came to helping the hospital's young patients feel at ease.

“It is really fantastic. The building feels welcoming, which is important to children who may be afraid of the sterile environment of a hospital.”



Location	Finland
Category	Hospital
Client	New Children's Hospital, part of the second largest employer in Finland*
Product families	Oras Bidetta, Oras Electra
HANSA product equivalent	HANSAELECTRA

*<https://www.hus.fi/>

The De Leyhoeve residence, Tilburg

For unbeatable round-the-clock care, the retirement home needed simple, stable fittings built to last.

In 2016, we installed 840 fittings at the De Leyhoeve residence, a retirement home in the Netherlands which provides 24/7 care that meets the highest living standards.

With a brief to install new fittings within semi-public communal areas as well as each resident's private sanitary facilities, we had to deliver solutions that could offer safety, ease of use and high levels of hygiene while taking into account individual needs and special requirements.



*De Leyhoeve**
is home to
approximately
285 residents

*<https://www.leyhoeve.nl/>

After some thought, we chose a range of fittings that would keep De Leyhoeve's residents safe and healthy while, importantly, ensuring their long-term comfort. Our elegant **HANSATWIST** faucets were selected for all semi-public areas, and we fitted the swimming pool showers with **HANSAELECTRA** shower systems. For private bathroom facilities, we installed **HANSACARE** thermostats in combination with **HANSAMEDIJET** hand showers, as well as **HANSATELA** washbasins. The nursing area within De Leyhoeve was fitted with a **HANSACLINICA** washbasin.

In summary, we were able to support residents with a range of high-quality fittings designed to improve their wellbeing and help them live a full life.

Location	The Netherlands
Category	Residence
Client	Roosen van Hoppe
Product families	HANSATELA, HANSAELECTRA, HANSATWIST, HANSACARE, HANSAMEDIJET, HANSACLINICA

Health

Fit for a safer and more sustainable hospital environment

At HANSA, we deliver hygiene solutions and functionalities at the highest level – making life easier for hospital staff and patients while ensuring the safest, purest water supply. We also focus on reliability and economy so that our customers can gain from the long-term benefits of an efficient, sturdy and cost-effective system.



*Hospital-acquired infections cost **more than €7 billion** every year in Europe*

HANSAMEDIPRO: The smarter safer way to improve hygiene

Our HANSAMEDIPRO products have been developed specifically for hospitals and other demanding healthcare settings. Designed to fit seamlessly into a complex and busy environment while meeting every ergonomic need and hygiene guideline – no matter how strict.



Easy to clean

A smooth surface allows for easy cleaning

Minimal risk of injury

Rounded contours and an optional hot water stop minimise the risk of any injury

Simple, hands-free operation

Choose from our smart, touchless faucets or our faucets with gliding levers, which doctors and nursing staff can operate with their forearms

Safe water quality

Our HANSAPROTEC system means all our faucets are made with material that has a lead content below 0.3%. In addition, all waterways are nickel-free

Smart and touchless hygiene solutions

With state-of-the-art PSD sensors, our touchless faucets can detect even the slightest hand movement – for optimal hygiene and ergonomics.

Furthermore, our faucets come with a temperature lever and the option of setting a cold or pre-mixed temperature. They can also be battery or mains operated depending on requirements for ultimate flexibility.

Highlights

- Body made of dezincification-resistant brass
- Nickel free waterways
- Touchless faucet with high-tech PSD sensor
- Bluetooth technology for personalizing settings on faucet
- Temperature selection handle for thermal disinfection

Checklist

- TOP OPERATED
- SIDE OPERATED
- TOUCHLESS
- HYBRID
- BASIN MIXER
- SHOWER FUNCTION
- BATH/SHOWER
- WALL MOUNTED
- CONCEALED

Connect your way to better hygiene

With the help of HANSA Connect, configure touchless fittings using a smartphone. Our app also allows users to check water consumption, schedule automatic sanitation rinsing, and regulate flow duration and rate – among other features. (read more about the app on page 16)



05672129



05682029



02542202

02552205

02572206

01612105

01632103

01662195



HANSAMEDIPRO FLEX: a new level of hand shower

HANSAMEDIPRO FLEX is a highly ergonomic hand shower that can be held with a light grip.

The bow handle and Soft Touch non-slip material ensure a secure grip at all times. The hand position is also designed to be natural and comfortable, whether the shower is being used by one person or to wash a patient. In addition, the laminar soft spray reduces the formation of airborne microbes, thereby providing people a safe experience every time they step underneath.

Safe handling

The 360° rotation plane of the handle – in addition to the weight of the hose – ensures the hose always points down.

Hygiene and comfort

The shower spray is designed to prevent aeration and, as a consequence, turbulence. This optimises user comfort while minimising the spread of microbes.



Secure grip

The shower can be secured to the holder with ease.

Easy to clean

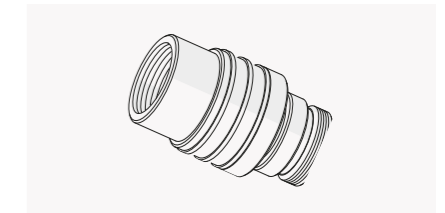
The detachable sprayface can be cleaned in the dishwasher. The special white version is able to stand disinfection temperatures up to 95°C.



44280180
Hand shower, anti limescale technology, low aerosol, disinfection proof (max. 95°C)



44280170
Hand shower, anti limescale technology, low aerosol



Plug couplings: quick release coupling with automatic shut-off valve lowers risk of accidental opening

A functional handshower with flexibility at its core

Our shower function for washbasin faucets makes everyday tasks easier for users who need physical support.

Our functional, disinfection-proof hand shower is ideal for washing hair and feet as well as intimate areas and everything in between, with a 1.5 m radius of action ensuring full coverage. On top of that, our handshower can be cleaned in the disinfection washer, where hot water up to 95 degrees are running through the faucet – ensuring all hygiene requirements are met.

Our hand shower also comes with a non-slip surface, for safe handling at all times, while a lever on the shower head allows for easy and convenient operation.

Highlights

- Temperature-resistant up to 95°C
- Removable shower head base for easy cleaning
- Low-aerosol laminar water stream minimises the spread of micro-organisms
- Dirt collecting filter for improved cleaning and hygiene
- Accessories: wall bar and shower hose available



Hose emptying valve: for installation between hose and for complete emptying of shower hose according to RKI hospital guidelines



08302281
Thermostatic washbasin faucet, swivel spout, 179 mm projection



58080201
Thermostatic shower faucet



58101201
Thermostatic bath and shower faucet

Control temperature with ease using a HANSAMEDIPRO THERMOSTAT

When bathing a patient, maintaining water temperature is key. With an integrated hot water stop, our HANSAMEDIPRO THERMOSTAT ensures water never exceeds 38°C.

The HANSAMEDIPRO THERMOSTAT is designed to help care staff reach a desired temperature quickly and efficiently, in addition to saving water. And, with in-built thermal disinfection, healthcare facilities can always maintain the highest hygiene and safety standards.

Combined with the optional spout drain and an low-aerosol shower like HANSAMEDIPRO FLEX or HANSAMEDIJET highest hygienal standards can be reached.

HANSAMEDIJET: For a clean feeling that is more than skin deep

With low-aerosol laminar functionality, our HANSAMEDIJET shower prevents the formation of airborne microbes. It also comes with an ergonomic handle. For a safe and healthy shower experience – every time.



Use the special Hansa Key to adjust the settings to thermal disinfection mode, clearly marked in red



HANSAMEDICA

– provide support with ease



Low-aerosol water stream reduces spread of microbes

Highlights

- Exclusively nickel-free surfaces in contact with drinking water
- Body made of dezincification-free brass
- Long solid lever for safe and comfortable operation
- Low-aerosol laminar water stream minimises the spread of micro-organisms
- Automatic spout draining possible

Checklist

- TOP OPERATED
- SIDE OPERATED
- TOUCHLESS
- HYBRID
- BASIN MIXER
- SHOWER FUNCTION
- BATH/SHOWER
- EXPOSED
- CONCEALED

For a more convenient and safe working environment within the healthcare sector

Among the key features is the faucet's easy-gliding lever, which can be operated with the back of the hand – increasing usability for both staff and patients. In addition, the spout can swivel 120°, allowing more flexibility on the basin, e.g. when filling containers.

Thanks to the built-in care® spray regulator, all models have a low-aerosol water stream that ensures minimal formation of microbes. To further improve water quality, all components that come in contact with water are nickel-free.



01968176

Single-lever washbasin faucet, 96 mm swivel spout

01948176

Single-lever washbasin faucet, 170 mm swivel spout

01692176

Single-lever washbasin faucet, 226 mm swivel spout

HANSA**CLINICA**: fit for safety and comfort

Our HANSA**CLINICA** fittings are specifically designed to create a safe and comfortable bathroom environment for both patients and medical professionals.



Installation and maintenance

- 3S-Installation system – easy and quick installation
- Reliable function with 4.0 cartridge

Safety

- Soft edges – slip-in handle
- Extended height and projection means more room for washing
- Nickel-free technology – for cleaner water



Easy to use

- Extra-long lever: can be operated using the back of the hand or one finger – via the loop design
- Option of long solid lever
- Option of wall-mounted faucet with spout which can be fixed in place or with a swivel range of 60° or 120°

Hygiene

- Soft forms and transitions – easy to keep clean
- Laminar flow – to avoid spread of microbes
- Copper pipe installation
- Optional disinfection-proof multifunctional hand shower set

Highlights

- Nickel free waterways
- Low-aerosol laminar water stream minimises the spread of micro-organisms
- Thermal disinfection according to DVGW W551
- Touchless faucet with high-tech PSD sensor
- Bluetooth technology for personalizing settings on faucet

Checklist

- TOP OPERATED
- SIDE OPERATED
- TOUCHLESS
- HYBRID
- BASIN MIXER
- SHOWER FUNCTION
- BATH/SHOWER
- EXPOSED
- CONCEALED



45012186
Single-lever
washbasin faucet,
loop lever



45012183
Single-lever
washbasin faucet,
solid lever

HANSA**CLINICA** thermostats: fit for easy and hygienic handling



Installation and maintenance

- Reliable function with 3,4 thermostatic cartridge

Easy to use

- Easy-to-grip temperature handle with double-wing design
- Lever can be operated with the back of the hand or the arm/elbow, making it the ideal solution if wall-mounting is preferred
- Spout can be locked in place or designed to turn between two different angles: 60° and 120°



Hygiene

- Soft forms and transitions – easy to keep clean
- Triple-sealed rosette covers – keep connections hidden and easy to clean
- Thermal disinfection according to DVGW W551
- Hygienic flush function
- Prevents water stagnation
- Laminar flow – to avoid spread of microbes

Safety

- Thermostat function – to stabilise water temperature
- Smooth elbow handle
- THERMO COOL body structure – prevents surface from overheating
- Nickel-free technology – to maintain water purity



08806202

08805202

01526286

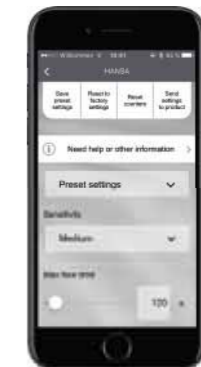
01536286

01546286

08806200

HANSA**CLINICA** touchless thermostat. The SMART choice.

Our touchless version has all the benefits of the classic HANSA**CLINICA** thermostat – with added features. For ultimate protection against microbes, multiple setting options and easy maintenance:



Configure and monitor all SMART faucet with the HANSA Connect App (read more about the app on page 18)



80% bacteria reduction with a SMART faucet



08866201

08866202

08866200



The concealed solution for HANSACLINICA

Sometimes, the best solutions are hidden in plain sight. Designed to make life easier and safer for people without taking up much space. With the HANSABLUEBOX, we offer a versatile take on our standard concealed thermostatic system, complete with water mixing technologies and a wide range of features.

Most importantly, our latest model comes with easy to operate and tamper-proof thermal disinfection capabilities – for faucets that can stand any heat and undergo the ultimate clean.

And, for additional control, HANSABLUEBOX – along with any previous versions – can be updated with a spare part lever providing thermal disinfection options.



88619085
Thermostatic trim kit shower, for concealed unit



88629085
Thermostatic trim kit bath and shower, for concealed unit



88609085
Thermostatic trim kit shower, for concealed unit



5991 4169
Handle, update kit for disinfection

For a clean feeling built to last, choose HANSATEMPRA

With a HANSATEMPRA wall faucet, eliminate microbes and create a safe working environment

A hospital is one place where microscopically small things can often lead to major consequences. To minimise the spread of microbes through contact – as one example – HANSATEMPRA's long lever can be operated with ease simply by using the forearms. In addition, an integrated hot water stop prevents scalding, and the faucet can be thermally disinfected as a way of eliminating harmful microbes.



Highlights

- Nickel free waterways
- Special temperature handle for thermal disinfection
- Safety stop set to 38°C to prevent scalding
- Dirt collecting filters and backflow preventers in connections for improved cleaning and hygiene
- Automatic spout draining possible

Checklist

- TOP OPERATED
- SIDE OPERATED
- TOUCHLESS
- HYBRID
- BASIN MIXER
- SHOWER FUNCTION
- BATH/SHOWER
- EXPOSED
- CONCEALED

The exposed thermostat with arm lever valve is available in a short (245 mm) or long (270 mm) spout



08240202
Thermostatic shower faucet, wing handle

08382202
Thermostatic washbasin faucet, swivel spout, 270 mm projection, wing handle

For comfort, hygiene and aesthetic appeal: HANSAELECTRA



Our HANSAELECTRA touchless range has been designed specifically for public areas in healthcare environments, such as toilets or bathrooms

With an elegant, slightly futuristic aesthetic, the HANSAELECTRA can blend seamlessly into most settings. However, HANSAELECTRA also shines in technical terms: an integrated PSD sensor means the faucet is quick to turn water flow on or off depending on hand movements. This significantly reduces the transmission of microbes caused by people coming in contact with the faucet – a major benefit in all cases, but especially so when considering high-use locations such as public bathrooms. Battery operation ensures versatile, easy and safe installation and maintenance.



00870019

00880019



The HANSAELECTRA exposed range comes with or without temperature mixers and can be battery or mains operated. Touchless advantages and design at its best.

Highlights

- Touchless faucet with high-tech PSD sensor
- Bluetooth technology for personalizing settings on faucet
- Automatic sanitation rinsing
- Parameter setting possible via HANSA app from a smartphone/tablet
- Vandal-proof Aerator
- Flexible installation for both battery and fixed power supply
- Different spout designs available

Checklist

- TOP OPERATED
- SIDE OPERATED
- TOUCHLESS
- HYBRID
- BASIN MIXER
- SHOWER FUNCTION
- BATH/SHOWER
- EXPOSED
- CONCEALED

The HANSAELECTRA – fit to meet individual needs

We supply wall and washbasin faucets that can be mains or battery operated, and extra features such as automatic sanitation rinsing can also be installed on request.

Whatever option you choose, all our solutions guarantee a high-quality, safe and reliable supply of water.



64462201

64452201

80802110

80812111

80909001

81919001

Care

Faucets developed with care professionals and designed to provide the highest level of comfort and safety

We consider every need when designing our products. Taking into account operability, reliability, ergonomics and, above all, safety – whether that’s in a nursery, assisted living facility, or any other care environment. With faucets that are easy to use, and which improve wellbeing – without sacrificing on style. Faucets that are fit for high-use environments where stability and comfort are key.



*Created to endure
2,500 yearly
bathroom
situations*

HANSACARE: a safe and ergonomic faucet

Our HANSACARE range is made for every generation. From a child getting used to going to the bathroom on their own, all the way to people with age-related health issues such as low vision or decreased motor function. Providing a soothing bathroom experience for every user, no matter their circumstances or environment.



48% of the elderly have decreased hand grip strength



On request we also manufacture faucets with coloured levers. This visually separates itself from the body of the faucet and helps, users with a reduced eyesight.

Highlights

- Supportive lever shape
- Also available for kitchen sinks
- Triple-sealed rosettes for optimal hygiene
- 38-degree safety button
- THERMO COOL function to keep housing cool

Checklist

- TOP OPERATED
- SIDE OPERATED
- TOUCHLESS
- KITCHEN MIXER
- BASIN MIXER
- SHOWER FUNCTION
- BATH/SHOWER
- EXPOSED
- CONCEALED

Safe and ergonomic – and for the kitchen, too



46012206
Single-lever washbasin faucet, solid lever

46022286
Single-lever washbasin faucet, loop lever

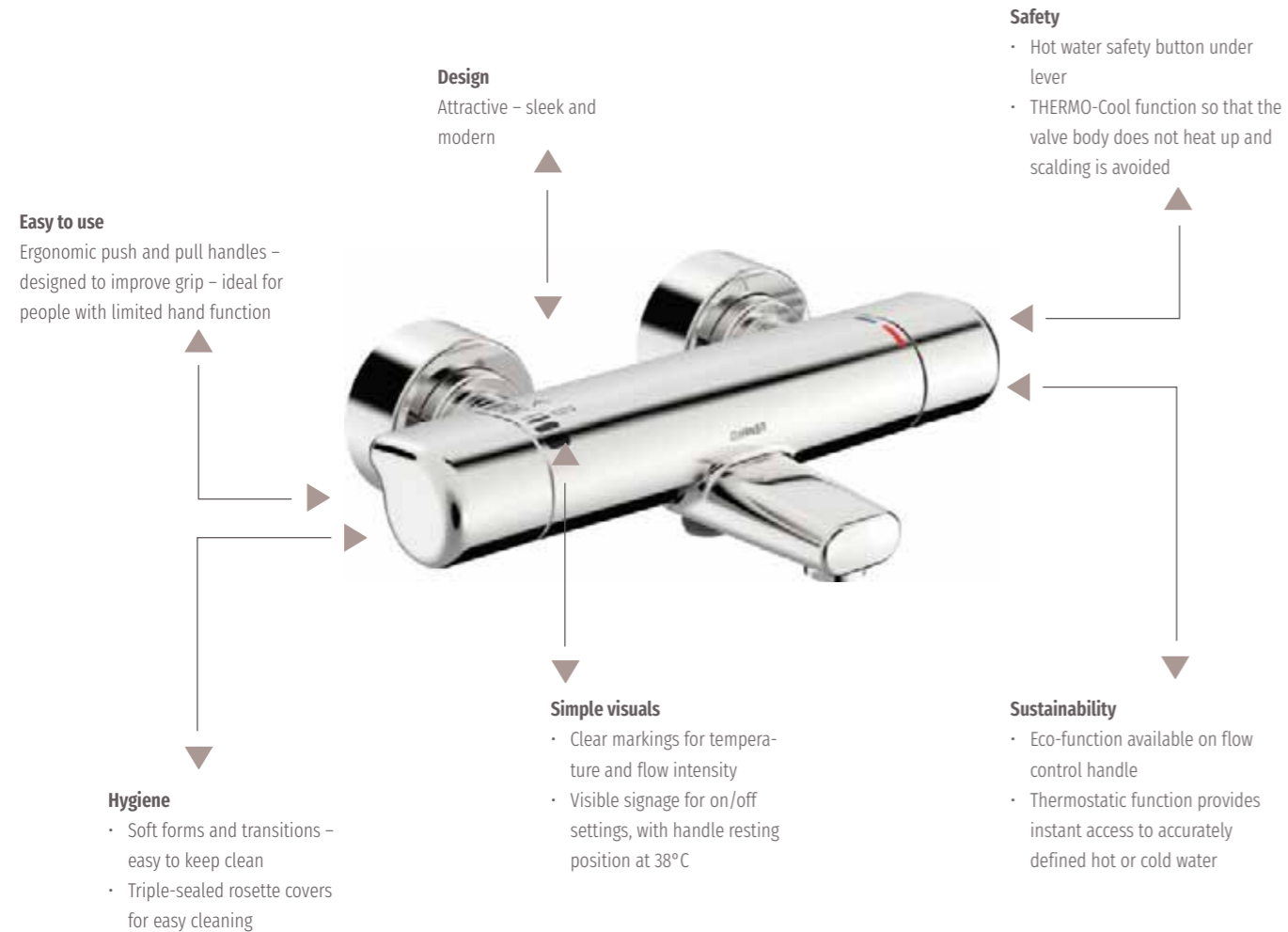
46282206
Single-lever washbasin faucet, solid lever, functional handshower

46152206
Single-lever washbasin faucet, swivel spout, solid lever

46102206
Single-lever kitchen faucet, swivel spout, 214 mm projection

For ultimate safety and comfort, choose a HANSACARE thermostat

In a care environment, safety is paramount. Our thermostats eliminate any risk of scalding by ensuring water always remains at a safe temperature. Making life easier for staff while ensuring patients receive the highest level of care and attention.



A common source of injury in the shower is due to sudden temperature changes



08707100
Thermostatic shower faucet



08717100
Thermostatic bath and shower faucet



Perfect temperature control with HANSAMINIMAT

A thermostatic pre-mixer designed specifically to prevent scalding and increase safety in all health and care applications

With the HANSAMINIMAT thermostat, adjust the pre-determined factory setting of 39°C during installation – with the utmost precision.

A built-in anti-scalding system, designed to improve safety in care facilities, schools and daycare centres, also makes it possible to shut down the water supply if cold water suddenly becomes unavailable – thereby preventing overheating.

In addition, the thermostat can be mounted and used with any washbasin faucet and is easy to install.

The HANSAMINIMAT no. 6341 0020 is fitted directly to the angle valve. The desired temperature can then be set to suit your personal requirements. In addition, there is one pipe connection set (6638 0100) and one hose connection set (6639 0200) suitable.



Application example for premixed installation:

- Defined hot water access with premixed temperature
- Ideal in combination with cold water faucets



Application example for limited temperature water access:

- Anti scalding protection
- Ideal in combination with single lever mixer

Tap water burns account for 17% of child injury hospitalisations

Installation guide

Installation

Directly to the corner valve, the desired temperature can be individually set very easily.



Thermal disinfection: safe and fast without removing the cover

Thermal disinfection can be easily done with a 2.5 mm Allen key.



In Rinse position only hot water runs.



The red signal mark gives visual feedback of this.





A traditional faucet has a bacterial count of **127,000 per cm²**

With HANSAMEDICA, provide care the easy way

For a more convenient and safe working environment within the care sector

Among the key features are the faucet's easy-gliding levers, which can be easily used with the back of the hand – increasing usability for both staff and residents. In addition, the spout can swivel 120°, allowing more flexibility when filling containers.

Thanks to the built-in care® spray regulator, all models have a low-aerosol water stream in order to minimise formation of microbes. In addition, all components that come in contact with water are nickel-free and rustproof – for even greater water quality.



01092186
Single-lever washbasin faucet, assist handle

01192186
Single-lever washbasin faucet, assist handle, swivel spout

01670176
Single-lever shower faucet

81859046
Single-lever shower faucet, trim kit for concealed unit

04160170
Hand shower, anti limescale technology, low aerosol



HANSAFIT: the safe and versatile option

Ergonomic, smart and stylish – and designed to offer peace of mind to every generation

With their Soft Touch non-slip surfaces, simple control elements and built-in temperature locks, our HANSAFIT solutions offer comfort and safety for every type of user and every type of environment. Whether they are needed in a high-use area within a care facility, or in a private kitchen space.

We also offer touchless faucets with which users can take advantage of the pre-heated water function as well as maximising hand hygiene.

Highlights

- Eco lever with soft-touch surface for water reduction by 50%
- Adjustable temperature limit
- THERMO COOL function to keep housing cool

Checklist

- TOP OPERATED
- SIDE OPERATED
- TOUCHLESS
- HYBRID
- BASIN MIXER
- SHOWER FUNCTION
- BATH/SHOWER
- EXPOSED
- CONCEALED



65072203
Single-lever washbasin faucet, easy-grip surface, functional handshower, eco flow control

65092203
Single-lever washbasin faucet, easy-grip surface, eco flow control

65412009
Touchless washbasin faucet, Bluetooth® capable



Bringing flexibility to care with our functional hand shower

Highlights

- Hose provides an extended reach for greater freedom of movement
- Temperature-resistant up to 95°C
- Hand shower with diverter and automatic reset to spout
- 1,500 mm long shower hose with quick-coupling
- Convenient wall bracket
- Remote-control variation in combination with HANSAFIT
- Safety stop set to 38°C to prevent scalding

Our shower function for washbasin faucets makes everyday tasks easier for users who need physical support

Our functional hand shower is ideal for washing hair and feet as well as intimate areas, thanks to a 1.5 m radius of action. It also offers greater convenience for cleaning objects and filling larger containers.

An additional non-slip surface ensures safe handling at all times, while a lever on the shower head allows for easy and convenient operation.



46282206
Single-lever washbasin faucet, solid lever, functional handshower



Highlights

- Temperature-resistant up to 95°C for thermal disinfection
- Hand shower with diverter and automatic reset to spout
- Safety stop set to 38°C to prevent scalding

Enjoy better ergonomics with the HANSAMEDIPRO FLEX

HANSAMEDIPRO FLEX is a highly adaptable hand shower that can be held in a light grip

The bow handle and Soft Touch non-slip material ensure a secure grip at all times. In addition, designed to be held in a natural and comfortable manner, the HANSAMEDIPRO FLEX is perfect for people showering themselves or others.

Easy to clean

A removable shower head allows for easy cleaning



Safe handling

The 360° rotation plane of the handle – in addition to the weight of the hose – means the showerhead always points down.



Hygiene and comfort

With a shower spray designed to prevent aeration and, as a consequence, turbulence, the HANSAMEDIPRO FLEX optimises comfort while minimising the spread of microbes.



Secure grip

Can be used safely when placed in the wall holder



44280180
Hand shower, anti limescale technology, low aerosol, disinfection proof (max. 95°C)



44280170
Hand shower, anti limescale technology, low aerosol



Fit for the
3,000 minutes
people spend in the
shower each year

HANSAEMOTION

Wellfit: putting the focus on wellbeing

Hot/cold water treatments have noticeably positive effects on the body and mind – improving people’s long-term health

Hot and cold water treatments are known to boost the cardiovascular system, reduce symptoms of fatigue and help relax muscles. All important factors in improving quality of life for people – especially those being treated in care facilities.

By pressing the Wellfit button on our HANSAEMOTION thermostat, users can activate three programmes designed to support their health. In addition, HANSAEMOTION is also designed with safety in mind: a pre-set 38°C lock prevents scalding, while separation of the waterway and hosing stops surfaces from overheating.

Regeneration at the touch of a button

The Wellfit button is the beating heart of the HANSAEMOTION Wellfit, enabling patients in care facilities to feel re-energised in body and mind. All it takes is a touch.

RECOVER

Through delivery of intense coldwater intervals, the Recover programme is designed to revitalise users whose bodies have undergone intense physical strain. As well as soothing aching muscles, the programme can, over long-term use, boost the cardiovascular system.



RELOAD

For most of us, we need a shower to wake up. Reload’s balanced hot and cold programme stimulates blood circulation, helping activate the body and mind – and preparing people for the day ahead.



RELAX

Relax offers a gentle hot-cold water therapy programme that places greater emphasis on warm water. Helping people to let go, unwind and relax.



■ Cold
■ Hot

Please note that all our variants are always available in two colour options.



5863017282

5863017182

5864217282

5864217182



5865017284

Shower system with Wellfit button, safety glass in anthracite, Bluetooth® capable

5865017182

Shower system, safety glass in white, Bluetooth® capable

Highlights

- Integrated Wellfit button with three regeneration programmes
- Bluetooth technology for personalizing settings on faucet
- Hot/cold water treatment
- Safety stop set to 38°C to prevent scalding
- 380 mm big showerhead for optimal enjoyment

Checklist

- TOP OPERATED
- SIDE OPERATED
- TOUCHLESS
- HYBRID
- BASIN MIXER
- SHOWER FUNCTION
- BATH/SHOWER
- EXPOSED
- CONCEALED



The smarter way to improve hygiene

Go touchless and take safety to another level

At HANSA, we are always thinking of ways to elevate everyday life in nurseries, retirement homes, and all other kinds of care facilities – not to mention people's homes.

With our Bluetooth®-enabled touchless faucets, we're doing just that: enhancing safety and comfort while giving users the luxury of customising and controlling settings and performance. Ensuring optimal hygiene and ease of use no matter the environment, be it a quiet household or high-use area such as a public bathroom.

Just use the HANSA Connect App to monitor functionality and usage while adjusting features to suit individual needs. For the ultimate experience.

**80% bacteria
reduction with
a smart faucet**

Why HANSA faucets are smarter

Great for everyone

- Easy to use: with touchless functionality
- Increased safety: with temperature control
- Better comfort: with adjustable flow
- Eco-friendly: with huge water savings
- Increased hygiene: with reduced bacteria spread

Easy to set up and operate

- Easy installation: with a battery pack in most models
- Simple configuration: with adjustable settings in the HANSA Connect App
- Easy maintenance: no tools needed but your smartphone
- Precise operation: with PSD technology
- Stylish designs: in a wide range

Easy to install, simple to use – and always reliable

Increased comfort with temperature control

HANSA SMART faucets have an easily adjustable temperature control feature which can be activated through a small side lever. Allowing you to set the temperature as you wish and improving your comfort in an instant.



Powered by mains adapter or battery

Batteries come in a small case which fits under your sink and only need changed every 3-5 years – without any need to dismantle the faucet.



Our sensor isn't good. It's great.

HANSA's patented PSD technology ensures a precise response time to any movement. By using two sensor lenses in each faucet instead of one, our faucets never have any problem detecting when to turn on – or off. Resulting in smoother and more precise functionality, and better handling of reflexions compared to standard IR technology. For faucets you can always rely on.



Upgrade rooms

Fit for when comfort meets practicality

Our range of products fits perfectly in upgrade rooms in private clinics and hospitals because they ensure a perfect mix of high-level comfort and safety. Designed to give patients a stylish experience, they are also ergonomic, hygienic and meet relevant regulations.



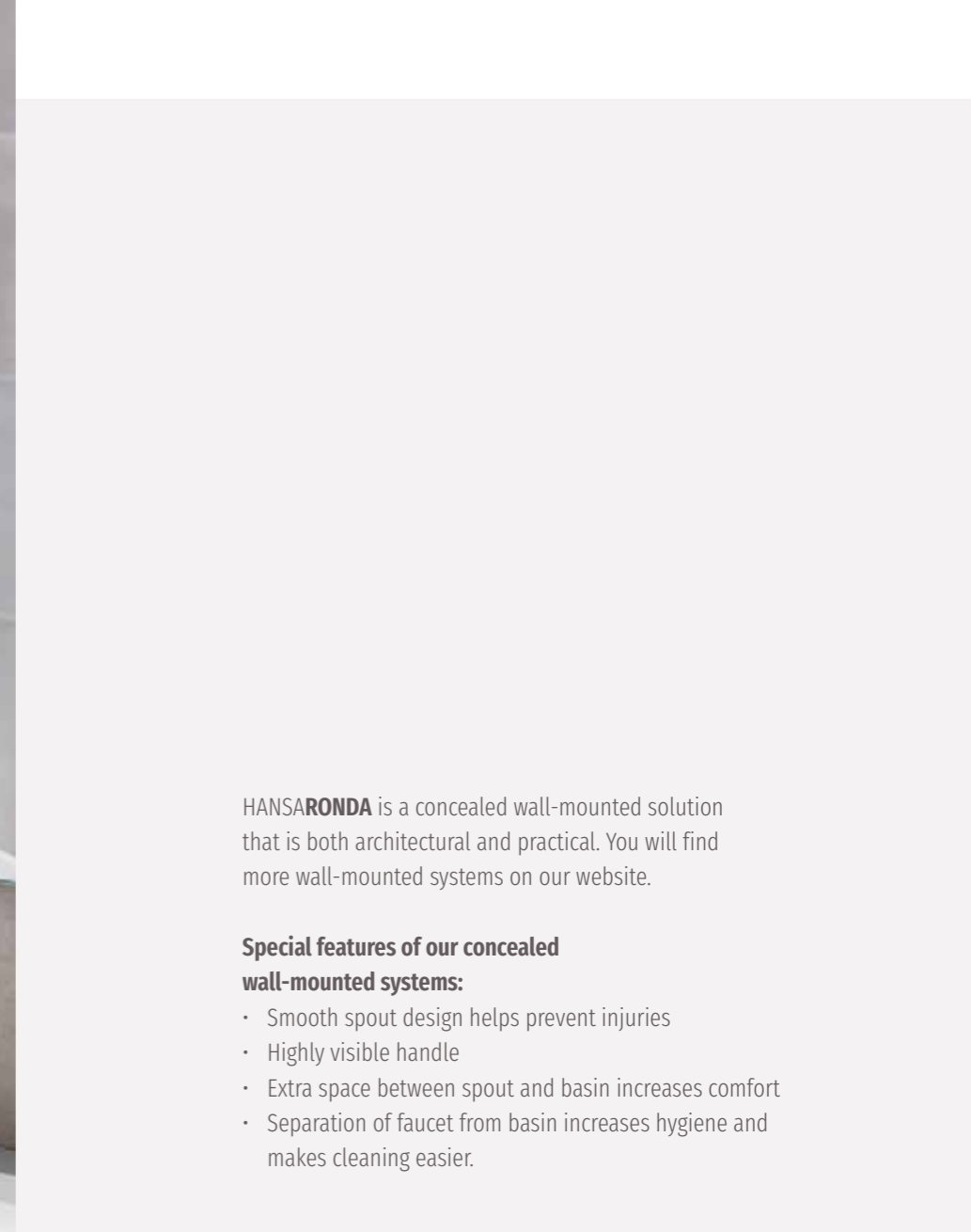


Basins for every need and purpose

Plenty of space, great ergonomics and extraordinary design

Increase comfort and safety

In upgrade rooms you want distinct, elegant design that is easy, comfortable and safe for patients to use. Our products with a high spout ensure extra space, while their side-operated levers are both easy to handle and more hygienic due to reduced amount of water left on the faucet when in use. The smooth transitions and joints ensure easy cleaning and hence a better hygiene. You can explore our **HANSADESIGNO STYLE** family and other stylish and ergonomic faucets with great safety features on our website.



HANSARONDA is a concealed wall-mounted solution that is both architectural and practical. You will find more wall-mounted systems on our website.

Special features of our concealed wall-mounted systems:

- Smooth spout design helps prevent injuries
- Highly visible handle
- Extra space between spout and basin increases comfort
- Separation of faucet from basin increases hygiene and makes cleaning easier.





Safe, comfortable, stylish showers

Eliminate the risk of scalding and ensure optimal comfort

A complete range of luxurious showers

Our range of rain showers provides patients with the ultimate shower experience. They look great, feel amazing and also include a range of different spray-types. Some products even have integrated shelves for toiletries, such as our award-winning HANSAEMOTION shower system. See the complete range of rain shower options on our website.

Special features of our thermostats

- THERMO COOL thermostat body structure prevents the surface from overheating and scalding
- Thermostat function ensures water temperature remains stable
- Easy-to-grip temperature handles
- Soft forms and transitions ensure they are easy to keep clean
- Easy to install and function reliably
- Laminar flow ensures the spread of microbes is avoided
- Integrated shelf for bath essentials

Safe, hygienic and sturdy thermostats

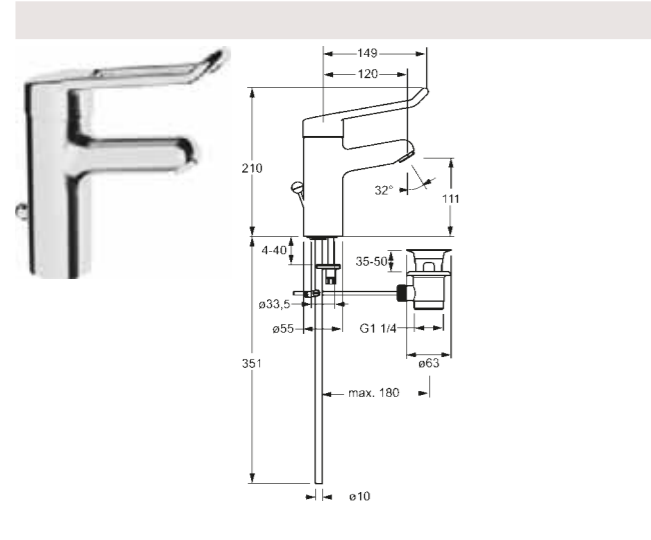
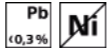
Our range of thermostats meets all the requirements of an upgrade room. For instance, the HANSA**CLINICA** thermostat eliminates the risk of scalding, while being very easy to use and clean and HANSA**MEDIPRO** provides a laminar flow with low aerosols.

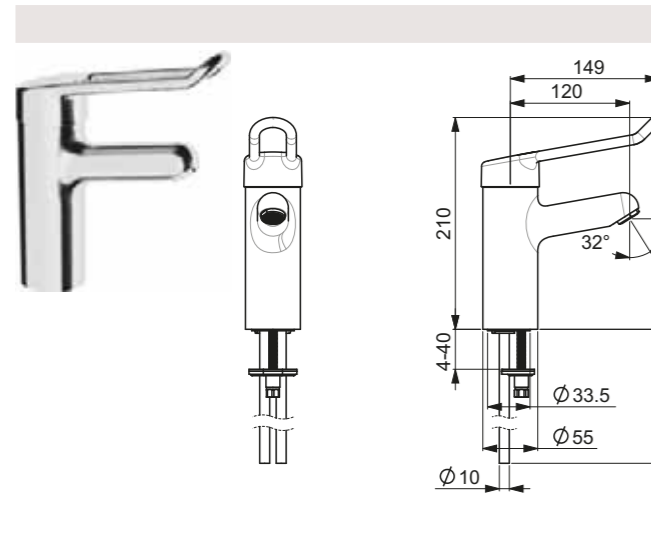
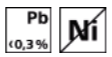
You can find out more about our thermostat range on our website.

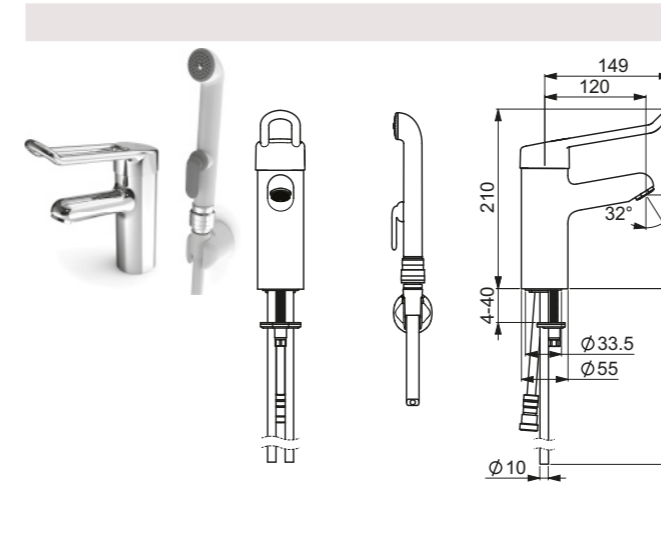
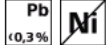


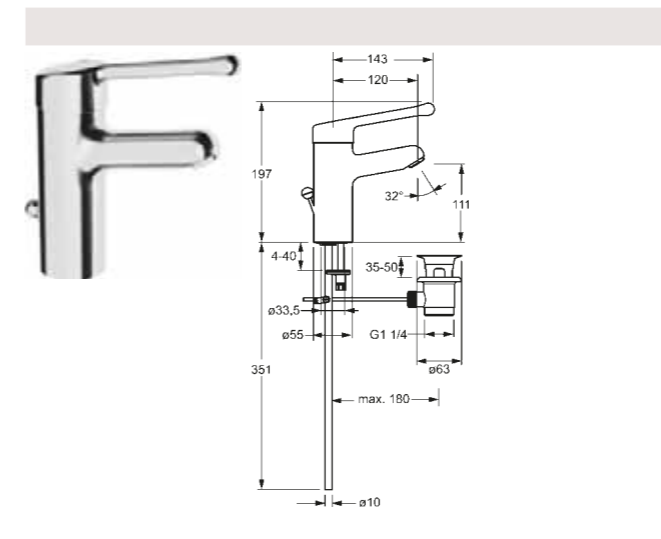
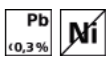
HANSA | HEALTH

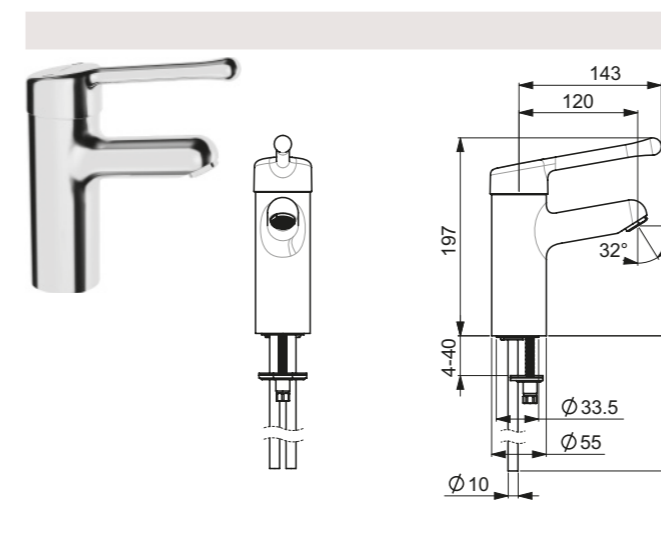
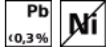
WASHBASIN HANSAMEDIPRO

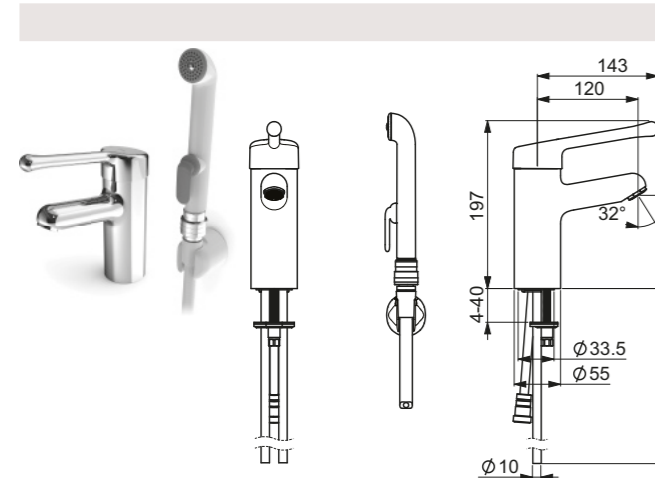
	HANSAMEDIPRO	0161 2105
	Washbasin faucet Single-lever Deck mounted (1 hole), DN15	Chrome
	EAN 4015474266797	
		
<ul style="list-style-type: none"> • Inner body made of DZR brass • Surfaces in contact with drinking water contain less than 0.3% lead • Waterways without nickel coating • Rapid installation system <p>Flow-rate at 3 bar: 12 l/min Hot water supply: max. +80°C</p>	<ul style="list-style-type: none"> • Pop-up waste with draw-rod • Copper inlet pipes (Ø10) • Ø 48 mm ceramic cartridge for flow and temperature control • Projection: 120 mm • Fixed spout • Aerator type: Laminar stream 	
<ul style="list-style-type: none"> • Single operating lever/handle • Long shape • Loop shape • Hot/Cold symbols • Limitation option for maximum temperature and flow-rate • Adjustable hot water stop (retrofittable) 		
DVGW: NW-6506CR0028, ACS: 16 ACC NY 271		

	HANSAMEDIPRO	0162 2195
	Washbasin faucet Single-lever Deck mounted (1 hole), DN15	Chrome
	EAN 4015474267015	
		
<ul style="list-style-type: none"> • Inner body made of DZR brass • Surfaces in contact with drinking water contain less than 0.3% lead • Waterways without nickel coating • Rapid installation system <p>Flow-rate at 3 bar: 12 l/min Hot water supply: max. +80°C</p>	<ul style="list-style-type: none"> • Ø 48 mm ceramic cartridge for flow and temperature control • Excluded items: Without pop-up waste Without draw-rod opening • Projection: 120 mm • Fixed spout • Aerator type: Laminar stream 	
<ul style="list-style-type: none"> • Single operating lever/handle • Long shape • Loop shape • Hot/Cold symbols • Limitation option for maximum temperature and flow-rate • Adjustable hot water stop (retrofittable) • Copper inlet pipes (Ø10) 		
DVGW: NW-6506CR0028, ACS: 16 ACC NY 271		

	HANSAMEDIPRO	0166 2195
	Washbasin faucet Single-lever/Bidetta Deck mounted (1 hole), DN15	Chrome
	EAN 4015474293960	
		
<ul style="list-style-type: none"> • Inner body made of DZR brass • Surfaces in contact with drinking water contain less than 0.3% lead • Waterways without nickel coating • Rapid installation system • Hand shower disinfection proof (max. +95°C) <p>Flow-rate at 3 bar: 9 / 10.8 l/min Hot water supply: max. +80°C Push operated diverter Automatic reset Hand shower with quick release coupling</p> <p>- Hand shower - Shower holder - Shower hose (1500 mm) 1 shower spray: - Sensitive</p>	<ul style="list-style-type: none"> • Single operating lever/handle • Long shape • Loop shape • Hot/Cold symbols • Limitation option for maximum temperature and flow-rate • Adjustable hot water stop (retrofittable) • Copper inlet pipes (Ø10) 	<ul style="list-style-type: none"> • Ø 48 mm ceramic cartridge for flow and temperature control • Excluded items: Without pop-up waste Without draw-rod opening • Projection: 120 mm • Fixed spout • Aerator type: Laminar stream
<ul style="list-style-type: none"> • Single operating lever/handle • Long shape • Loop shape • Hot/Cold symbols • Limitation option for maximum temperature and flow-rate • Adjustable hot water stop (retrofittable) • Copper inlet pipes (Ø10) 		

	HANSAMEDIPRO	0161 2106
	Washbasin faucet Single-lever Deck mounted (1 hole), DN15	Chrome
	EAN 4015474266841	
		
<ul style="list-style-type: none"> • Inner body made of DZR brass • Surfaces in contact with drinking water contain less than 0.3% lead • Waterways without nickel coating • Rapid installation system <p>Flow-rate at 3 bar: 12 l/min Hot water supply: max. +80°C</p>	<ul style="list-style-type: none"> • Copper inlet pipes (Ø10) • Ø 48 mm ceramic cartridge for flow and temperature control • Projection: 120 mm • Fixed spout • Aerator type: Laminar stream 	
<ul style="list-style-type: none"> • Single operating lever/handle • Long shape • Hot/Cold symbols • Limitation option for maximum temperature and flow-rate • Adjustable hot water stop (retrofittable) • Pop-up waste with draw-rod 		
DVGW: NW-6506CR0028, ACS: 16 ACC NY 271		

	HANSAMEDIPRO	0162 2196
	Washbasin faucet Single-lever Deck mounted (1 hole), DN15	Chrome
	EAN 4015474267039	
		
<ul style="list-style-type: none"> • Inner body made of DZR brass • Surfaces in contact with drinking water contain less than 0.3% lead • Waterways without nickel coating • Rapid installation system <p>Flow-rate at 3 bar: 12 l/min Hot water supply: max. +80°C</p>	<ul style="list-style-type: none"> • Ø 48 mm ceramic cartridge for flow and temperature control • Excluded items: Without pop-up waste Without draw-rod opening • Projection: 120 mm • Fixed spout • Aerator type: Laminar stream 	
<ul style="list-style-type: none"> • Single operating lever/handle • Long shape • Hot/Cold symbols • Limitation option for maximum temperature and flow-rate • Adjustable hot water stop (retrofittable) • Copper inlet pipes (Ø10) 		
DVGW: NW-6506CR0028, ACS: 16 ACC NY 271		



HANSAMEDIPRO 0166 2196
Chrome
 EAN 4015474293977

Washbasin faucet Single-lever | Bidetta | Deck mounted (1 hole), DN15

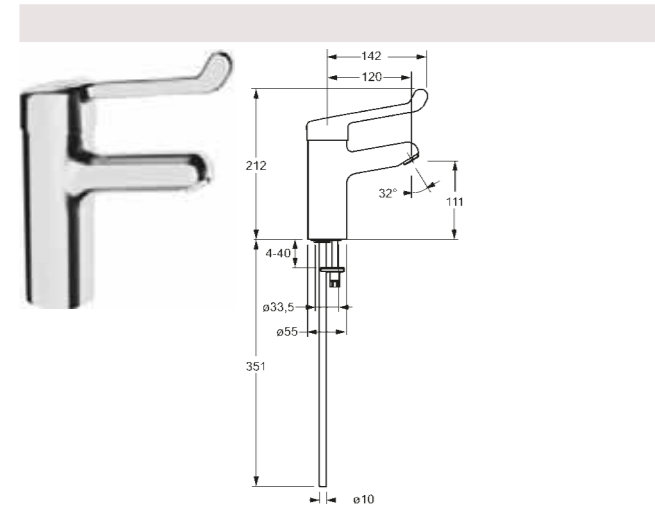
- Inner body made of DZR brass
- Surfaces in contact with drinking water contain less than 0.3% lead
- Waterways without nickel coating
- Disinfection proof (max. +95°C)
- Rapid installation system

Flow-rate at 3 bar: 9 / 10.8 l/min
 Hot water supply: max. +80°C
 Push operated diverter
 Automatic reset
 Hand shower with quick release coupling
 - Hand shower
 - Shower holder
 - Shower hose (1500 mm)
 1 shower spray:
 - Sensitive

Technical drawing dimensions:
 143, 120, 197, 32°, 111, 4-40, 351, Ø33.5, Ø55, Ø10

Icons: Pb $\leq 0,3\%$, Ni

- Single operating lever/handle
- Long shape
- Hot/Cold symbols
- Limitation option for maximum temperature and flow-rate
- Adjustable hot water stop (retrofittable)
- Copper inlet pipes (Ø10)
- Ø 48 mm ceramic cartridge for flow and temperature control
- Excluded items: Without pop-up waste | Without draw-rod opening
- Projection: 120 mm
- Fixed spout
- Aerator type: Laminar stream



HANSAMEDIPRO 0171 2192
Chrome
 EAN 4015474267053

Washbasin faucet Single-lever | Deck mounted (1 hole), DN15

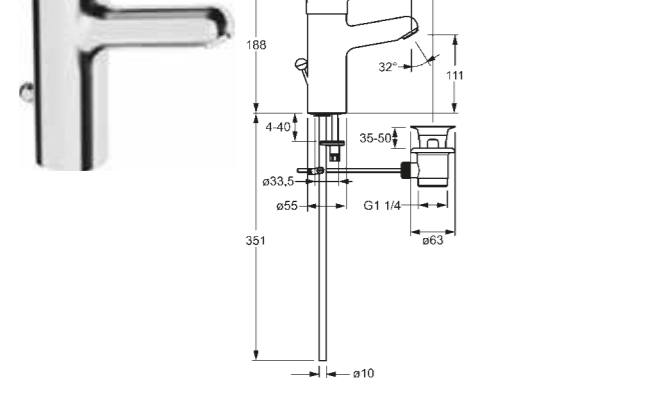
- Inner body made of DZR brass
- Surfaces in contact with drinking water contain less than 0.3% lead
- Waterways without nickel coating
- Rapid installation system
- Safety control cartridge with operation on one level

Flow-rate at 3 bar (with flow controller): 6 l/min
 Hot water supply: max. +90°C

Technical drawing dimensions:
 142, 120, 212, 32°, 111, 4-40, 351, Ø33.5, Ø55, Ø10

Icons: Pb $\leq 0,3\%$, Ni

- Single operating lever/handle
- Long shape
- Safety feature for water temperature
- Hot/Cold symbols
- Copper inlet pipes (Ø10)
- Ø 35 mm ceramic cartridge for flow and temperature control
- Excluded items: Without pop-up waste | Without draw-rod opening
- Projection: 120 mm
- Fixed spout
- Aerator type: Laminar stream



HANSAMEDIPRO 0161 2103
Chrome
 EAN 4015474266735

Washbasin faucet Single-lever | Deck mounted (1 hole), DN15

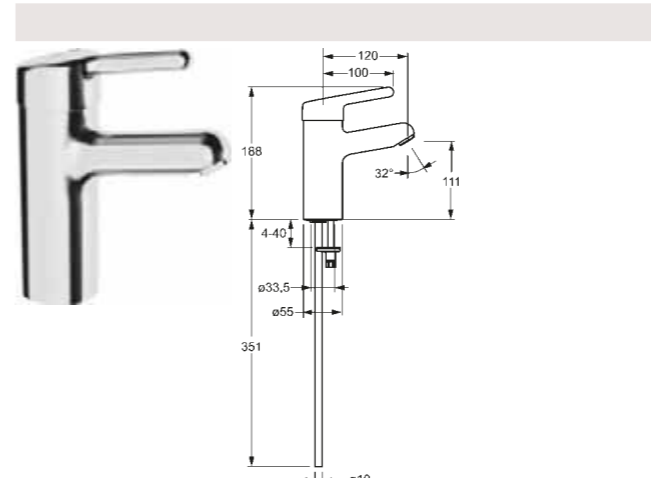
- Inner body made of DZR brass
- Surfaces in contact with drinking water contain less than 0.3% lead
- Waterways without nickel coating
- Rapid installation system

Flow-rate at 3 bar: 12 l/min
 Hot water supply: max. +80°C

Technical drawing dimensions:
 max. 180, 120, 100, 188, 32°, 111, 4-40, 351, Ø33.5, Ø55, G1 1/4, Ø63, Ø10

Icons: Pb $\leq 0,3\%$, Ni

- Single operating lever/handle
- Hot/Cold symbols
- Limitation option for maximum temperature and flow-rate
- Adjustable hot water stop (retrofittable)
- Pop-up waste with draw-rod
- Copper inlet pipes (Ø10)
- Ø 48 mm ceramic cartridge for flow and temperature control
- Projection: 120 mm
- Fixed spout
- Aerator type: Laminar stream



HANSAMEDIPRO 0162 2193
Chrome
 EAN 4015474266940

Washbasin faucet Single-lever | Deck mounted (1 hole), DN15

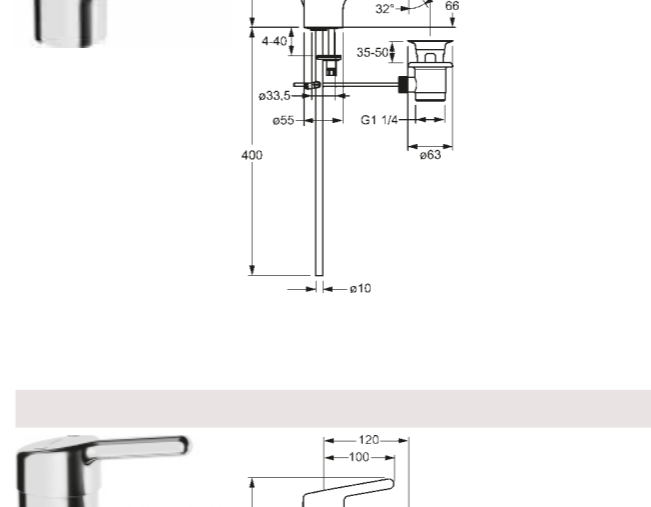
- Inner body made of DZR brass
- Surfaces in contact with drinking water contain less than 0.3% lead
- Waterways without nickel coating
- Rapid installation system

Flow-rate at 3 bar: 12 l/min
 Hot water supply: max. +80°C

Technical drawing dimensions:
 120, 100, 188, 32°, 111, 4-40, 351, Ø33.5, Ø55, Ø10

Icons: Pb $\leq 0,3\%$, Ni

- Single operating lever/handle
- Hot/Cold symbols
- Limitation option for maximum temperature and flow-rate
- Adjustable hot water stop (retrofittable)
- Copper inlet pipes (Ø10)
- Ø 48 mm ceramic cartridge for flow and temperature control
- Excluded items: Without pop-up waste | Without draw-rod opening
- Projection: 120 mm
- Fixed spout
- Aerator type: Laminar stream



HANSAMEDIPRO XS 0163 2103
Chrome
 EAN 4015474266452

Washbasin faucet Single-lever | Deck mounted (1 hole), DN15

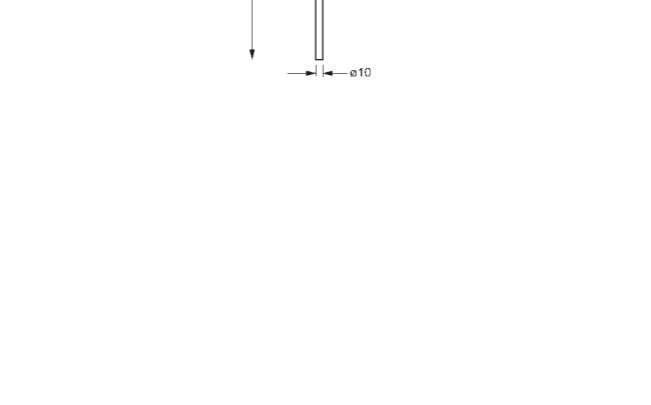
- Inner body made of DZR brass
- Surfaces in contact with drinking water contain less than 0.3% lead
- Waterways without nickel coating
- Rapid installation system

Flow-rate at 3 bar: 12 l/min
 Hot water supply: max. +80°C

Technical drawing dimensions:
 max. 180, 120, 100, 139, 32°, 66, 4-40, 351, Ø33.5, Ø55, G1 1/4, Ø63, Ø10

Icons: Pb $\leq 0,3\%$, Ni

- Single operating lever/handle
- Hot/Cold symbols
- Limitation option for maximum temperature and flow-rate
- Adjustable hot water stop (retrofittable)
- Pop-up waste with draw-rod
- Copper inlet pipes (Ø10)
- Ø 48 mm ceramic cartridge for flow and temperature control
- Excluded items: Without pop-up waste | Without draw-rod opening
- Projection: 120 mm
- Fixed spout
- Aerator type: Laminar stream



HANSAMEDIPRO XS 0164 2103
Chrome
 EAN 4015474266582

Washbasin faucet Single-lever | Deck mounted (1 hole), DN15

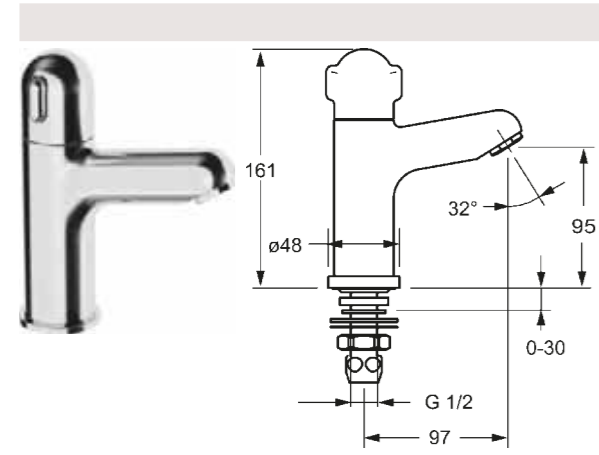
- Inner body made of DZR brass
- Surfaces in contact with drinking water contain less than 0.3% lead
- Waterways without nickel coating
- Rapid installation system

Flow-rate at 3 bar: 12 l/min
 Hot water supply: max. +80°C

Technical drawing dimensions:
 120, 100, 139, 32°, 66, 4-40, 351, Ø33.5, Ø55, Ø10

Icons: Pb $\leq 0,3\%$, Ni

- Single operating lever/handle
- Hot/Cold symbols
- Limitation option for maximum temperature and flow-rate
- Adjustable hot water stop (retrofittable)
- Copper inlet pipes (Ø10)
- Ø 48 mm ceramic cartridge for flow and temperature control
- Excluded items: Without pop-up waste | Without draw-rod opening
- Projection: 120 mm
- Fixed spout
- Aerator type: Laminar stream



HANSAMEDIPRO 0198 2001
Washbasin faucet
Single-lever |
Deck mounted (1 hole), DN15

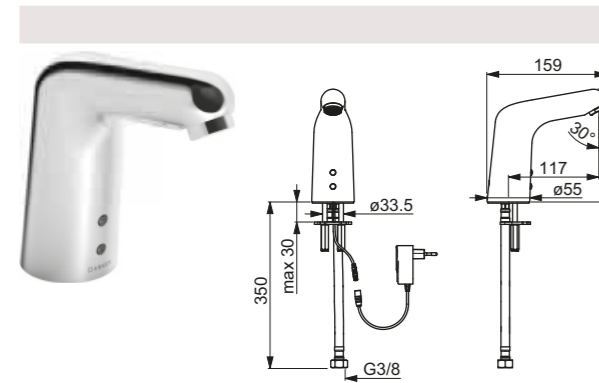
- Inner body made of DZR brass
- Surfaces in contact with drinking water contain less than 0.3% lead
- Waterways without nickel coating

Flow-rate at 3 bar (with flow controller): 6 l/min
 Hot water supply: max. +90°C

• Single operating lever/handle
 • One inlet for cold or premixed water
 • Ceramic head part for flow control
 • Excluded items: Without pop-up waste | Without draw-rod opening

• Projection: 97 mm
 • Fixed spout
 • Aerator type: Laminar stream

Accessories: Safety thermostat, 6341 0020



HANSAMEDIPRO 0567 2029
Washbasin faucet
Touchless/Plug transformer/
Bluetooth® |
Deck mounted (1 hole), DN15

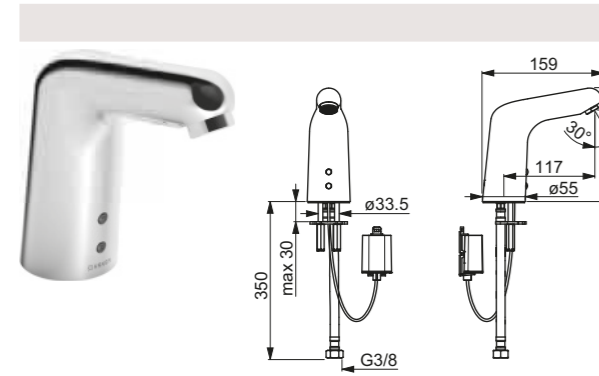
- Inner body made of DZR brass
- Surfaces in contact with drinking water contain less than 0.3% lead
- Waterways without nickel coating
- Software settings adjustable via App

Flow-rate at 3 bar (with flow controller): 6 l/min
 Hot water supply: max. +70°C

• Flexible inlet pipes | One inlet for cold or premixed water | Special coating for hygienic premises (G3/8)
 • Backflow prevention (EN1717): AA
 • Non-return valve(s)
 • Litter filter(s)
 • Autofocus infrared sensor
 • Solenoid valve

• Power supply
 • **Automatic flush frequency:** off (off/1-120 h) – Automatic flush period: 30 s (1-1800 s)
 • Projection: 117 mm
 • Fixed spout
 • Aerator type: Laminar stream
 • Max. flow period: 2 min (1 – 1800 s)
 • Operating voltage: 9/12 V

Accessories: Transformer, 230/12 VDC 1A, 6499 0100; Safety thermostat, 6341 0020
ABP: P-IX 29469/IO, **Declaration of conformity (CE):** RED



HANSAMEDIPRO 0567 2019
Washbasin faucet
Touchless/Battery-operated/
Bluetooth® |
Deck mounted (1 hole), DN15

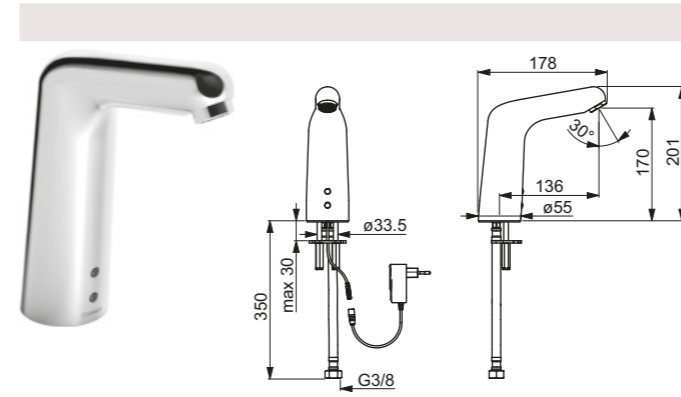
- Inner body made of DZR brass
- Surfaces in contact with drinking water contain less than 0.3% lead
- Waterways without nickel coating
- Software settings adjustable via App

Flow-rate at 3 bar (with flow controller): 6 l/min
 Hot water supply: max. +70°C

• Flexible inlet pipes | One inlet for cold or premixed water | Special coating for hygienic premises (G3/8)
 • Backflow prevention (EN1717): AA
 • Non-return valve(s)
 • Litter filter(s)
 • Autofocus infrared sensor
 • Solenoid valve
 • Low battery indicator

• Battery: Lithium 2CR5 6 V
 • **Automatic flush frequency:** off (off/1-120 h) – Automatic flush period: 30 s (1-1800 s)
 • Projection: 117 mm
 • Fixed spout
 • Aerator type: Laminar stream
 • Max. flow period: 2 min (1 – 1800 s)
 • Operating voltage: 6 V

Accessories: Safety thermostat, 6341 0020
ABP: P-IX 29469/IO, **Declaration of conformity (CE):** RED



HANSAMEDIPRO XL 0568 2029
Washbasin faucet
Touchless/Plug transformer/
Bluetooth® |
Deck mounted (1 hole), DN15

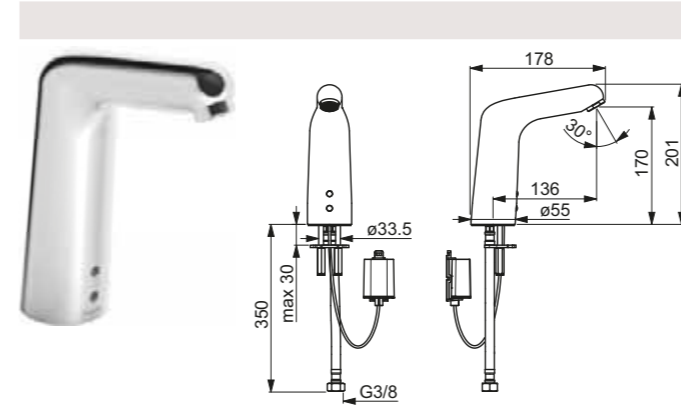
- Inner body made of DZR brass
- Surfaces in contact with drinking water contain less than 0.3% lead
- Waterways without nickel coating
- Software settings adjustable via App

Flow-rate at 3 bar (with flow controller): 6 l/min
 Hot water supply: max. +70°C

• Flexible inlet pipes | One inlet for cold or premixed water | Special coating for hygienic premises (G3/8)
 • Backflow prevention (EN1717): AA
 • Non-return valve(s)
 • Litter filter(s)
 • Autofocus infrared sensor
 • Solenoid valve

• Power supply
 • **Automatic flush frequency:** off (off/1-120 h) – Automatic flush period: 30 s (1-1800 s)
 • Projection: 136 mm
 • Fixed spout
 • Aerator type: Laminar stream
 • Max. flow period: 2 min (1 – 1800 s)
 • Operating voltage: 9/12 V

Accessories: Safety thermostat, 6341 0020; Transformer, 230/12 VDC 1A, 6499 0100
ABP: P-IX 29469/IO, **Declaration of conformity (CE):** RED



HANSAMEDIPRO XL 0568 2019
Washbasin faucet
Touchless/Battery-operated/
Bluetooth® |
Deck mounted (1 hole), DN15

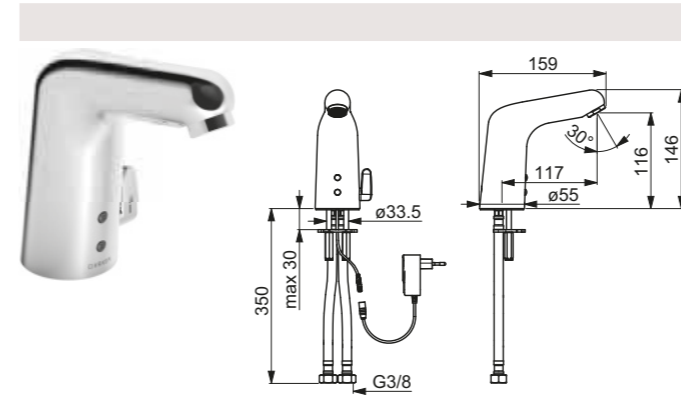
- Inner body made of DZR brass
- Surfaces in contact with drinking water contain less than 0.3% lead
- Waterways without nickel coating
- Software settings adjustable via App

Flow-rate at 3 bar (with flow controller): 6 l/min
 Hot water supply: max. +70°C

• Flexible inlet pipes | One inlet for cold or premixed water | Special coating for hygienic premises (G3/8)
 • Backflow prevention (EN1717): AA
 • Non-return valve(s)
 • Litter filter(s)
 • Autofocus infrared sensor
 • Solenoid valve
 • Low battery indicator

• Battery: Lithium 2CR5 6 V
 • **Automatic flush frequency:** off (off/1-120 h) – Automatic flush period: 30 s (1-1800 s)
 • Projection: 136 mm
 • Fixed spout
 • Aerator type: Laminar stream
 • Max. flow period: 2 min (1 – 1800 s)
 • Operating voltage: 6 V

Accessories: Safety thermostat, 6341 0020
ABP: P-IX 29469/IO, **Declaration of conformity (CE):** RED



HANSAMEDIPRO 0567 2129
Washbasin faucet
Touchless/Plug transformer/
Bluetooth® |
Deck mounted (1 hole), DN15

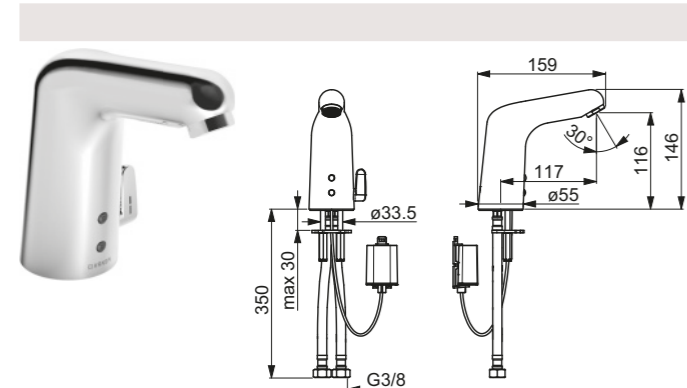
- Inner body made of DZR brass
- Surfaces in contact with drinking water contain less than 0.3% lead
- Waterways without nickel coating
- Software settings adjustable via App

Flow-rate at 3 bar (with flow controller): 6 l/min
 Hot water supply: max. +70°C

• Temperature control handle
 • Adjustable hot water stop (retrofitable)
 • Flexible inlet pipes | Special coating for hygienic premises (G3/8)
 • Backflow prevention (EN1717): AA
 • Mixing valve for manual temperature control
 • Non-return valve(s)
 • Litter filter(s)
 • Autofocus infrared sensor

• Solenoid valve
 • Power supply
 • **Automatic flush frequency:** off (off/1-120 h) – Automatic flush period: 30 s (1-1800 s)
 • Projection: 117 mm
 • Fixed spout
 • Aerator type: Laminar stream
 • Max. flow period: 2 min (1 – 1800 s)
 • Operating voltage: 9/12 V

Accessories: Transformer, 230/12 VDC 1A, 6499 0100
ABP: P-IX 29469/IO, **Declaration of conformity (CE):** RED



HANSAMEDIPRO **0567 2119**

Washbasin faucet
Touchless/Battery-operated/Bluetooth®
Deck mounted (1 hole), DN15

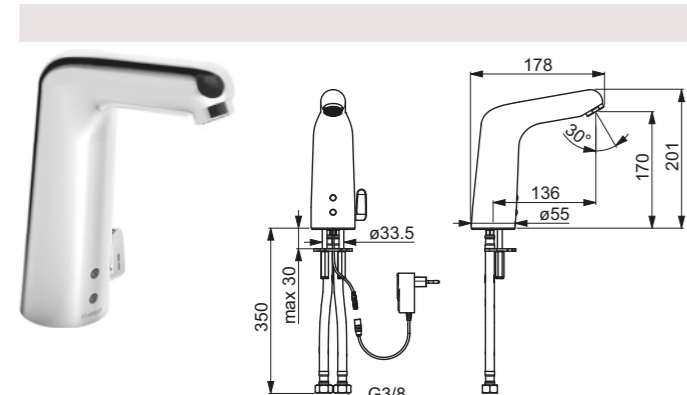
- Inner body made of DZR brass
- Surfaces in contact with drinking water contain less than 0.3% lead
- Waterways without nickel coating
- Software settings adjustable via App

Flow-rate at 3 bar (with flow controller): 6 l/min
 Hot water supply: max. +70°C

- Temperature control handle
- Adjustable hot water stop (retrofitable)
- Flexible inlet pipes | Special coating for hygienic premises (G3/8)
- **Backflow prevention (EN1717): AA**
- Mixing valve for manual temperature control
- Non-return valve(s)
- Litter filter(s)
- Autofocus infrared sensor
- Solenoid valve

- Low battery indicator
- Battery: Lithium 2CR5 6 V
- **Automatic flush frequency:** off (off/1-120 h) – Automatic flush period: 30 s (1-1800 s)
- Projection: 117 mm
- Fixed spout
- Aerator type: Laminar stream
- Max. flow period: 2 min (1 - 1800 s)
- Operating voltage: 6 V

ABP: P-IX 29469/IO, Declaration of conformity (CE): RED



HANSAMEDIPRO XL **0568 2129**

Washbasin faucet
Touchless/Plug transformer/Bluetooth®
Deck mounted (1 hole), DN15

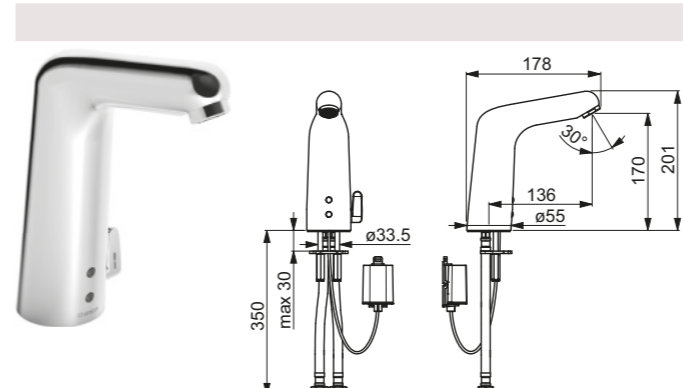
- Inner body made of DZR brass
- Surfaces in contact with drinking water contain less than 0.3% lead
- Waterways without nickel coating
- Software settings adjustable via App

Flow-rate at 3 bar (with flow controller): 6 l/min
 Hot water supply: max. +70°C

- Temperature control handle
- Adjustable hot water stop (retrofitable)
- Flexible inlet pipes | Special coating for hygienic premises (G3/8)
- **Backflow prevention (EN1717): AA**
- Mixing valve for manual temperature control
- Non-return valve(s)
- Litter filter(s)
- Autofocus infrared sensor

- Solenoid valve
- Power supply
- **Automatic flush frequency:** off (off/1-120 h) – Automatic flush period: 30 s (1-1800 s)
- Projection: 136 mm
- Fixed spout
- Aerator type: Laminar stream
- Max. flow period: 2 min (1 - 1800 s)
- Operating voltage: 9/12 V

Accessories: Transformer, 230/12 VDC 1A, 6499 0100
 ABP: P-IX 29469/IO, Declaration of conformity (CE): RED



HANSAMEDIPRO XL **0568 2119**

Washbasin faucet
Touchless/Battery-operated/Bluetooth®
Deck mounted (1 hole), DN15

- Inner body made of DZR brass
- Surfaces in contact with drinking water contain less than 0.3% lead
- Waterways without nickel coating
- Software settings adjustable via App

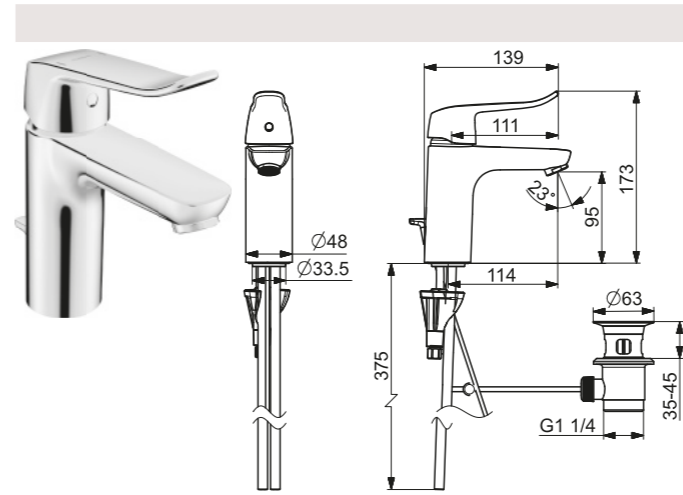
Flow-rate at 3 bar (with flow controller): 6 l/min
 Hot water supply: max. +70°C

- Temperature control handle
- Adjustable hot water stop (retrofitable)
- Flexible inlet pipes | Special coating for hygienic premises (G3/8)
- **Backflow prevention (EN1717): AA**
- Mixing valve for manual temperature control
- Non-return valve(s)
- Litter filter(s)
- Autofocus infrared sensor
- Solenoid valve

- Low battery indicator
- Battery: Lithium 2CR5 6 V
- **Automatic flush frequency:** off (off/1-120 h) – Automatic flush period: 30 s (1-1800 s)
- Projection: 136 mm
- Fixed spout
- Aerator type: Laminar stream
- Max. flow period: 2 min (1 - 1800 s)
- Operating voltage: 6 V

ABP: P-IX 29469/IO, Declaration of conformity (CE): RED

HANSACLINICA



HANSACLINICA **4501 2183**

Washbasin faucet
Single-lever |
Deck mounted (1 hole), DN15

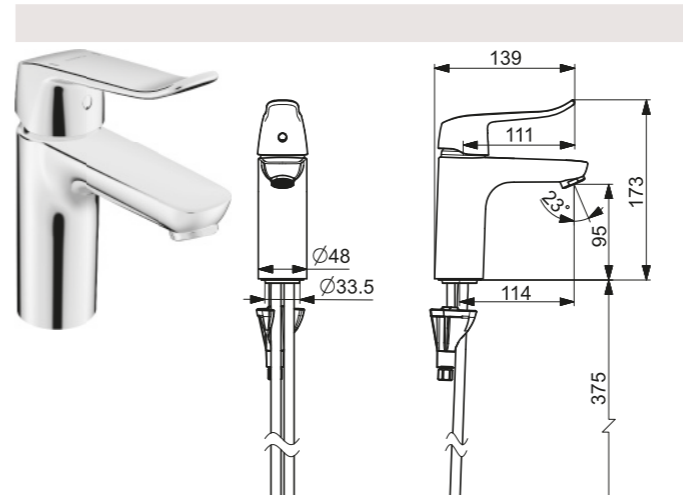
- Inner body made of DZR brass
- Waterways without nickel coating
- 3S-installation system for safe and simple mounting

Flow-rate at 3 bar: 12.42 l/min
 Hot water supply: max. +90°C

- Single operating lever/handle
- Long shape
- Hot/Cold symbols
- Limitation option for maximum temperature and flow-rate
- Adjustable hot water stop (retrofitable)
- Pop-up waste with draw-rod

- Copper inlet pipes
- **Backflow prevention (EN1717): AA**
- Ø 40 mm ceramic cartridge for flow and temperature control
- Projection: 114 mm
- Fixed spout
- Aerator type: Laminar stream

ABP: P-IX 29684/IA



HANSACLINICA **4502 2183**

Washbasin faucet
Single-lever |
Deck mounted (1 hole), DN15

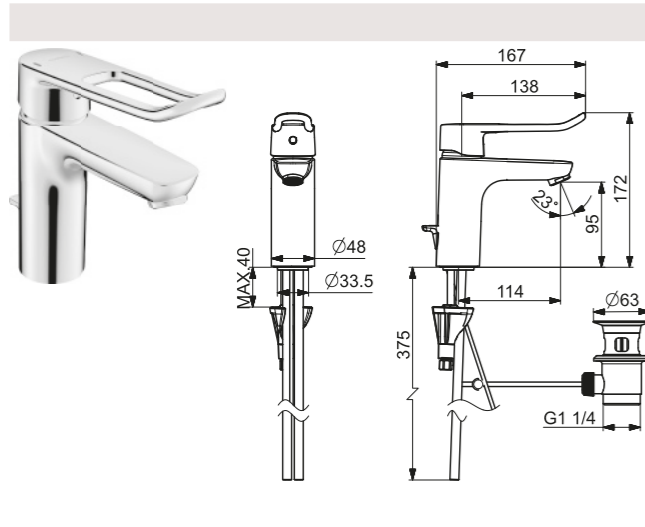
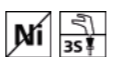
- Inner body made of DZR brass
- Waterways without nickel coating
- 3S-installation system for safe and simple mounting

Flow-rate at 3 bar: 12.42 l/min
 Hot water supply: max. +90°C

- Single operating lever/handle
- Long shape
- Hot/Cold symbols
- Limitation option for maximum temperature and flow-rate
- Adjustable hot water stop (retrofitable)
- Copper inlet pipes

- Ø 40 mm ceramic cartridge for flow and temperature control
- Excluded items: Without pop-up waste | Without draw-rod opening
- Projection: 114 mm
- Fixed spout
- Aerator type: Laminar stream

ABP: P-IX 29684/IA

	HANSACLINICA 4501 2186
	Chrome EAN 4057304010552
	

Washbasin faucet
Single-lever |
Deck mounted (1 hole), DN15

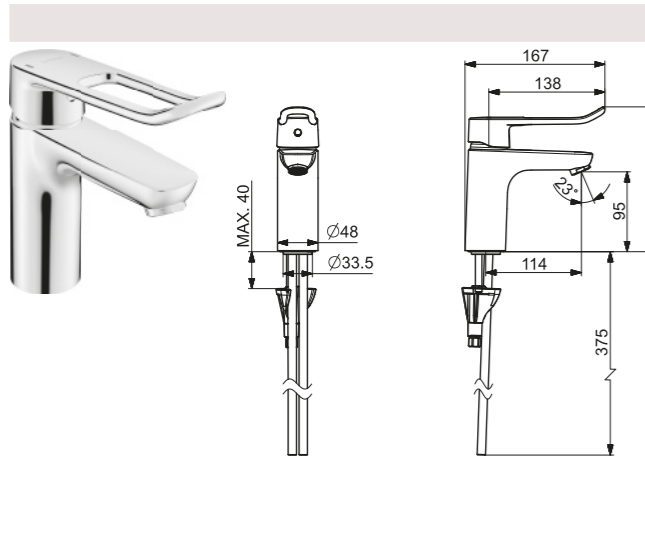
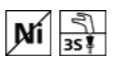
- Inner body made of DZR brass
- Waterways without nickel coating
- 3S-installation system for safe and simple mounting

Flow-rate at 3 bar: 12.42 l/min
 Hot water supply: max. +90°C

- Single operating lever/handle
- Long shape
- Loop shape
- Hot/Cold symbols
- Limitation option for maximum temperature and flow-rate
- Adjustable hot water stop (retrofittable)
- Pop-up waste with draw-rod

- Copper inlet pipes
- **Backflow prevention (EN1717): AA**
- Ø 40 mm ceramic cartridge for flow and temperature control
- Projection: 114 mm
- Fixed spout
- Aerator type: Laminar stream

ABP: P-IX 29684/IA, ACS: 16 ACC NY 205

	HANSACLINICA 4502 2186
	Chrome EAN 4057304010545
	

Washbasin faucet
Single-lever |
Deck mounted (1 hole), DN15

- Inner body made of DZR brass
- Waterways without nickel coating
- 3S-installation system for safe and simple mounting

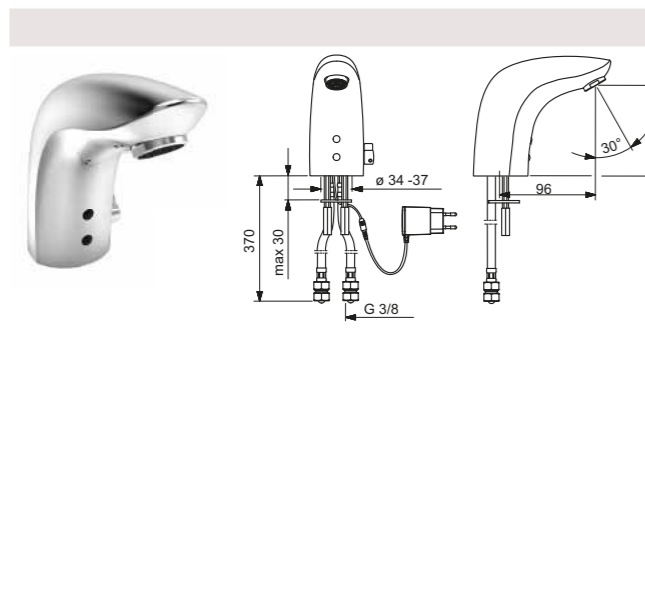

Flow-rate at 3 bar: 12.42 l/min
 Hot water supply: max. +90°C

- Single operating lever/handle
- Loop shape
- Long shape
- Hot/Cold symbols
- Limitation option for maximum temperature and flow-rate
- Adjustable hot water stop (retrofittable)
- Copper inlet pipes

- **Backflow prevention (EN1717): AA**
- Ø 40 mm ceramic cartridge for flow and temperature control
- Excluded items: Without pop-up waste | Without draw-rod opening
- Projection: 114 mm
- Fixed spout
- Aerator type: Laminar stream

ABP: P-IX 29684/IA, ACS: 16 ACC NY 205

HANSAELECTRA

	HANSAELECTRA 6441 2009
	Chrome EAN 4057304014055
	

Washbasin faucet
Touchless/Plug transformer/
Bluetooth® |
Deck mounted (1 hole), DN15

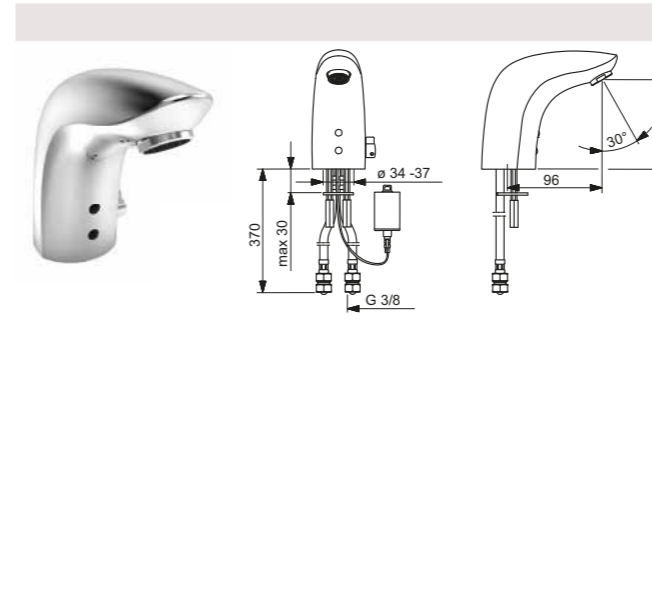

- Software settings adjustable via App
- Convertible for cold or premixed-water supply

Flow-rate at 3 bar (with flow controller): 6 l/min
 Hot water supply: max. +70°C

- Temperature control handle
- Temperature preset fixable
- Flexible inlet pipes (G3/8)
- **Backflow prevention (EN1717): AA**
- Mixing valve for manual temperature control
- Litter filter(s)
- Autofocus infrared sensor
- Solenoid valve
- Power supply
- Excluded items: Without pop-up waste | Without draw-rod opening

- **Automatic flush frequency:** off (off/1-120 h) – Automatic flush period: 30 s (1-1800 s)
- Projection: 96 mm
- Fixed spout
- Casted construction
- Aerator type: Standard aerator | PCA® – constant flow rate regardless of pressure variations
- Max. flow period: 2 min (1 – 1800 s)
- Operating voltage: 9/12 V

CSTB: 322-M1-20/1, Declaration of conformity (CE): RED

	HANSAELECTRA 6441 2219
	Chrome EAN 4057304014079
	

Washbasin faucet
Touchless/Battery-operated/
Bluetooth® |
Deck mounted (1 hole), DN15

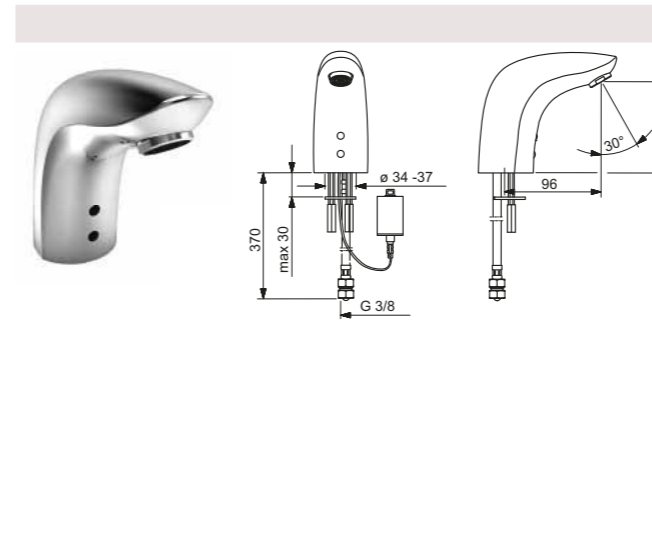
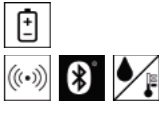
- Software settings adjustable via App
- Convertible for cold or premixed-water supply

Flow-rate at 3 bar (with flow controller): 6 l/min
 Hot water supply: max. +70°C

- Temperature control handle
- Temperature preset fixable
- Flexible inlet pipes (G3/8)
- **Backflow prevention (EN1717): AA**
- Mixing valve for manual temperature control
- Non-return valve(s)
- Litter filter(s)
- Autofocus infrared sensor
- Solenoid valve
- Low battery indicator
- Battery: Lithium 2CR5 6 V

- Excluded items: Without pop-up waste | Without draw-rod opening
- **Automatic flush frequency:** off (off/1-120 h) – Automatic flush period: 30 s (1-1800 s)
- Projection: 96 mm
- Fixed spout
- Casted construction
- Aerator type: Standard aerator | PCA® – constant flow rate regardless of pressure variations
- Max. flow period: 2 min (1 – 1800 s)
- Operating voltage: 6 V

CSTB: 322-M1-20/1, Declaration of conformity (CE): RED

	HANSAELECTRA 6440 2219
	Chrome EAN 4057304014116
	

Washbasin faucet
Touchless/Battery-operated/
Bluetooth® |
Deck mounted (1 hole), DN15

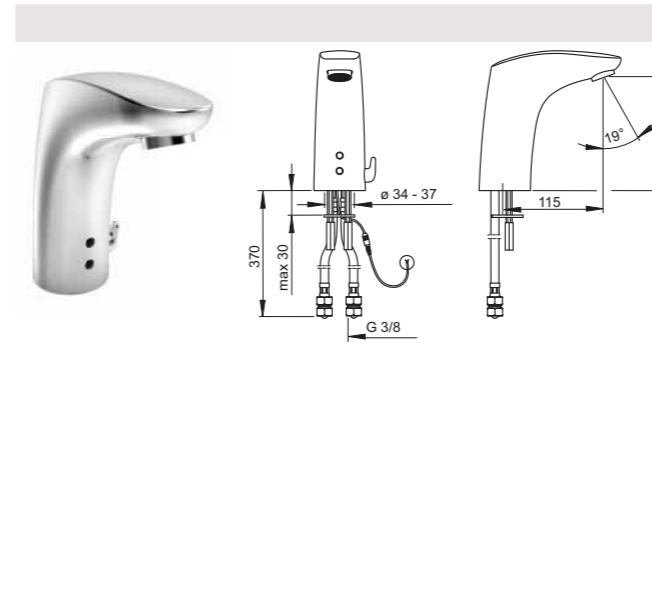

- Software settings adjustable via App

Flow-rate at 3 bar (with flow controller): 6 l/min
 Hot water supply: max. +70°C

- One inlet for cold or premixed water (G3/8)
- **Backflow prevention (EN1717): AA**
- Non-return valve(s)
- Litter filter(s)
- Autofocus infrared sensor
- Solenoid valve
- Low battery indicator
- Battery: Lithium 2CR5 6 V
- Excluded items: Without pop-up waste | Without draw-rod opening

- **Automatic flush frequency:** off (off/1-120 h) – Automatic flush period: 30 s (1-1800 s)
- Projection: 96 mm
- Fixed spout
- Casted construction
- Aerator type: Standard aerator
- Max. flow period: 2 min (1 – 1800 s)
- Operating voltage: 6 V

Accessories: Safety thermostat, 6341 0020
 Declaration of conformity (CE): RED

	HANSAELECTRA 6443 2009
	Chrome EAN 4057304009389
	

Washbasin faucet
Touchless/External transformer/
Bluetooth® |
Deck mounted (1 hole), DN15

- Software settings adjustable via App
- Convertible for cold or premixed-water supply

Flow-rate at 3 bar (with flow controller): 6 l/min
 Hot water supply: max. +70°C

- Temperature control handle
- Adjustable hot water stop (retrofittable)
- Flexible inlet pipes (G3/8)
- **Backflow prevention (EN1717): EB**
- Mixing valve for manual temperature control
- Non-return valve(s)
- Litter filter(s)
- Autofocus infrared sensor
- Solenoid valve

- Excluded items: Without transformer | Without pop-up waste | Without draw-rod opening
- **Automatic flush frequency:** off (off/1-120 h) – Automatic flush period: 30 s (1-1800 s)
- Projection: 112 mm
- Fixed spout
- Aerator type: Standard aerator | Protection against burglary
- Max. flow period: 2 min (1 – 1800 s)
- Operating voltage: 9/12 V

Accessories: Rapid pop-up waste, 59 913 988
 CSTB: 322-M1-20/1, ACS: 15 ACC LY 337, Declaration of conformity (CE): RED

HANSAELECTRA **6443 2219**

Washbasin faucet
Touchless/Battery-operated/Bluetooth®
Deck mounted (1 hole), DN15

• Software settings adjustable via App

Flow-rate at 3 bar (with flow controller): 6 l/min
 Hot water supply: max. +70°C

• Temperature control handle
 • Adjustable hot water stop (retrofitable)
 • Flexible inlet pipes (G3/8)
Backflow prevention (EN1717): EB
 • Mixing valve for manual temperature control
 • Non-return valve(s)
 • Litter filter(s)
 • Autofocus infrared sensor
 • Solenoid valve
 • Low battery indicator

• Battery: Lithium 2CR5 6 V
 • **Automatic flush frequency:** off (off/1-120 h)
 – Automatic flush period: 30 s (1-1800 s)
 • Projection: 112 mm
 • Fixed spout
 • Aerator type: Standard aerator | Protection against burglary
 • Max. flow period: 2 min (1 – 1800 s)
 • Operating voltage: 6 V

Accessories: Rapid pop-up waste, 59 913 988
CSTB: 322-M1-20/1, **ACS:** 15 ACC LY 337, **Declaration of conformity (CE):** RED

HANSAELECTRA **6442 1119**

Washbasin faucet
Touchless/External transformer/ Low pressure/Bluetooth®
Deck mounted (1 hole), DN15

• 3S-installation system for safe and simple mounting
 • Software settings adjustable via App
 • grease without Silicon

Flow-rate at 3 bar: 6 l/min
 Hot water supply: max. +70°C

• Temperature control handle
 • Flexible inlet pipes (G3/8)
Backflow prevention (EN1717): EB
 • Litter filter(s)
 • Autofocus infrared sensor
 • Solenoid valve
 • Power supply
 • Excluded items: Without pop-up waste | Without draw-rod opening

• **Automatic flush frequency:** 24 h (off/1-120 h)
 – Automatic flush period: 30 s (1-1800 s)
 • Projection: 112 mm
 • Fixed spout
 • Aerator type: Standard aerator | Protection against burglary
 • Max. flow period: 2 min (1 – 1800 s)
 • Operating voltage: 12 V

Declaration of conformity (CE): RED

HANSAELECTRA **6491 2019**

Washbasin faucet
Touchless/Plug transformer/Bluetooth®
Deck mounted (1 hole), DN15

• Software settings adjustable via App

Flow-rate at 3 bar (with flow controller): 6 l/min
 Hot water supply: max. +70°C

• Temperature control handle
 • Adjustable hot water stop (retrofitable)
 • Temperature preset fixable
 • Flexible inlet pipes (G3/8)
Backflow prevention (EN1717): AA
 • Mixing valve for manual temperature control
 • Non-return valve(s)
 • Litter filter(s)
 • Autofocus infrared sensor
 • Solenoid valve
 • Power supply

• Excluded items: Without pop-up waste | Without draw-rod opening
 • **Automatic flush frequency:** off (off/1-120 h)
 – Automatic flush period: 30 s (1-1800 s)
 • Projection: 115 mm
 • Fixed spout
 • Casted construction
 • Aerator type: Standard aerator
 • Max. flow period: 2 min (1 – 1800 s)
 • Operating voltage: 9/12 V

Declaration of conformity (CE): RED

HANSAELECTRA **6491 2219**

Washbasin faucet
Touchless/Battery-operated/Bluetooth®
Deck mounted (1 hole), DN15

• Software settings adjustable via App

Flow-rate at 3 bar (with flow controller): 6 l/min
 Hot water supply: max. +70°C

• Temperature control handle
 • Adjustable hot water stop (retrofitable)
 • Flexible inlet pipes (G3/8)
Backflow prevention (EN1717): AA
 • Mixing valve for manual temperature control
 • Non-return valve(s)
 • Litter filter(s)
 • Autofocus infrared sensor
 • Solenoid valve
 • Low battery indicator
 • Battery: Lithium 2CR5 6 V

• Excluded items: Without pop-up waste | Without draw-rod opening
 • **Automatic flush frequency:** off (off/1-120 h)
 – Automatic flush period: 30 s (1-1800 s)
 • Projection: 115 mm
 • Fixed spout
 • Casted construction
 • Aerator type: Standard aerator
 • Max. flow period: 2 min (1 – 1800 s)
 • Operating voltage: 6 V

Declaration of conformity (CE): RED

HANSAELECTRA **6444 2229**

Washbasin faucet
Touchless/Battery-operated/Bluetooth®
Deck mounted (1 hole), DN15

• Software settings adjustable via App

Flow-rate at 3 bar: 6 l/min
 Hot water supply: max. +70°C

• Temperature control handle
 • Adjustable hot water stop (retrofitable)
 • Temperature preset fixable
 • Flexible inlet pipes (G3/8)
Backflow prevention (EN1717): AA
 • Mixing valve for manual temperature control
 • Non-return valve(s)
 • Litter filter(s)
 • Autofocus infrared sensor
 • Solenoid valve

• Low battery indicator
 • Battery: Lithium 2CR5 6 V
 • Excluded items: Without pop-up waste | Without draw-rod opening
 • **Automatic flush frequency:** off (off/1-120 h)
 – Automatic flush period: 30 s (1-1800 s)
 • Projection: 120 mm
 • Fixed spout
 • Max. flow period: 2 min (1 – 1800 s)
 • Operating voltage: 6 V

Declaration of conformity (CE): RED

HANSAELECTRA **6444 2219**

Washbasin faucet
Touchless/Battery-operated/Bluetooth®
Deck mounted (1 hole), DN15

• Software settings adjustable via App

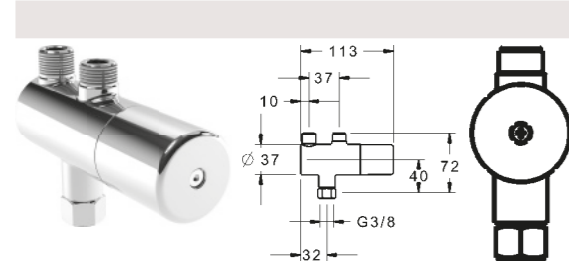
Flow-rate at 3 bar: 6 l/min
 Hot water supply: max. +70°C

• Temperature control handle
 • Adjustable hot water stop (retrofitable)
 • Temperature preset fixable
 • Flexible inlet pipes (G3/8)
Backflow prevention (EN1717): AA
 • Mixing valve for manual temperature control
 • Non-return valve(s)
 • Litter filter(s)
 • Autofocus infrared sensor
 • Solenoid valve

• Low battery indicator
 • Battery: Lithium 2CR5 6 V
 • Excluded items: Without pop-up waste | Without draw-rod opening
 • **Automatic flush frequency:** off (off/1-120 h)
 – Automatic flush period: 30 s (1-1800 s)
 • Projection: 170 mm
 • Fixed spout
 • Max. flow period: 2 min (1 – 1800 s)
 • Operating voltage: 6 V

Declaration of conformity (CE): RED

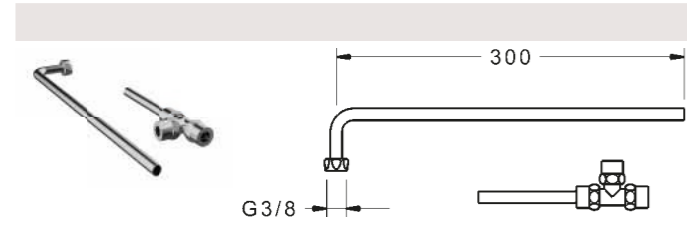
HANSAMINIMAT Safety thermostat



HANSAMINIMAT	6341 0020
Other products	Chrome
Thermostatic	EAN 4015474275270
<ul style="list-style-type: none"> • Inner body made of DZR brass • Surfaces in contact with drinking water contain less than 0.3% lead • Waterways without nickel coating • Thermal disinfection without cartridge readjustment 	
Flow-rate at 3 bar: 12.6 l/min Hot water supply: max. +90°C	

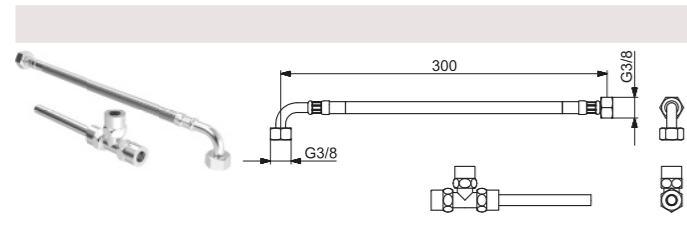
- Temperature control handle (G3/8)
- Thermostatic cartridge for automatic temperature control
- Non-return valve(s)
- Litter filter(s)
- Excluded items: Without couplings

Accessories: Pipe, 6638 0100; Coupling pipe, 6639 0200
 DVGW: NW-6509CL0481, ABP: P-IX 28624/I



HANSAMINIMAT	6638 0100
Other accessories	Chrome
• T-piece	EAN 4015474277977
Hot water supply: max. +90°C	

- Copper inlet pipes (G3/8)

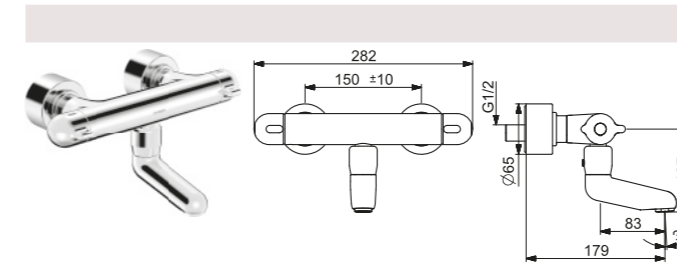


HANSAMINIMAT	6639 0200
Other accessories	Chrome
• T-piece	EAN 4015474277984
Hot water supply: max. +80°C	

- Flexible inlet pipes (G3/8)

WASHBASIN - Wall mounted

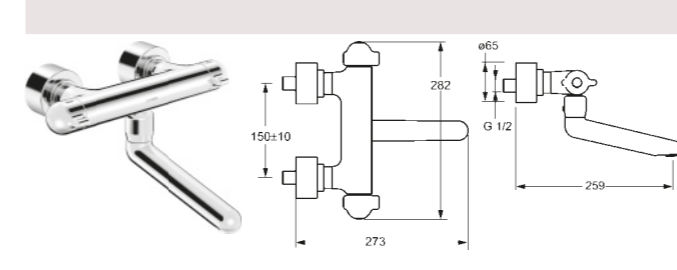
HANSAMEDIPRO



HANSAMEDIPRO	0830 2281
Washbasin faucet	Chrome
Thermostatic	EAN 4057304013393
Wall mounted, DN15	
<ul style="list-style-type: none"> • Inner body made of DZR brass • Waterways without nickel coating • Thermal disinfection without cartridge readjustment • Safety lock against scalding 38°C (36°-44°) 	
Flow-rate at 3 bar: 12 l/min Hot water supply: max. +80°C	

- Temperature control handle
- Flow control handle
- Hot/Cold symbols
- Limitation option for maximum temperature and flow-rate
- The housing of the fittings conducts minimal heat
- Eccentric coupling(s) | Cover plate(s) | with integrated shut-off valve(s) | Cover plate triple sealed
- Ceramic head part for flow control
- Thermostatic cartridge for automatic temperature control
- Non-return valve(s)
- Litter filter(s)
- Projection: 179 mm
- Spout swivel range: 120°
- Swivel spout
- Lockable in the middle position
- Aerator type: Laminar stream

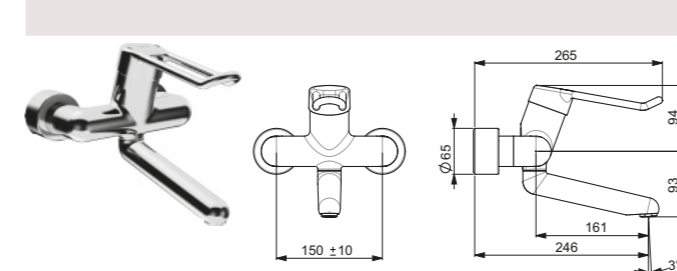
DVGW: NW-6509CR0103, ABP: PA-IX 28551/IA



HANSAMEDIPRO	0830 2201
Washbasin faucet	Chrome
Thermostatic	EAN 4015474267404
Wall mounted, DN15	
<ul style="list-style-type: none"> • Inner body made of DZR brass • Waterways without nickel coating • Thermal disinfection without cartridge readjustment • Safety lock against scalding 38°C (36°-44°) 	
Flow-rate at 3 bar: 12 l/min Hot water supply: max. +80°C	

- Temperature control handle
- Flow control handle
- Hot/Cold symbols
- Limitation option for maximum temperature and flow-rate
- The housing of the fittings conducts minimal heat
- Eccentric coupling(s) | Cover plate(s) | with integrated shut-off valve(s) | Cover plate triple sealed
- Ceramic head part for flow control
- Thermostatic cartridge for automatic temperature control
- Non-return valve(s)
- Litter filter(s)
- Projection: 259 mm
- Spout swivel range: 120°
- Swivel spout
- Lockable in the middle position
- Aerator type: Laminar stream

DVGW: NW-6509CR0103, ABP: PA-IX 28551/IA



HANSAMEDIPRO	0255 2205
Washbasin faucet	Chrome
Single-lever	EAN 4015474267244
Wall mounted, DN15	
<ul style="list-style-type: none"> • Inner body made of DZR brass • Surfaces in contact with drinking water contain less than 0.3% lead • Waterways without nickel coating 	
Flow-rate at 3 bar: 12 l/min Hot water supply: max. +90°C	

- Single operating lever/handle
- Long shape
- Loop shape
- Hot/Cold symbols
- Limitation option for maximum temperature and flow-rate
- Adjustable hot water stop (retrofitable)
- Eccentric coupling(s) | Cover plate(s) | with integrated shut-off valve(s) | Cover plate triple sealed
- Ø 48 mm ceramic cartridge for flow and temperature control
- Projection: 246 mm
- Spout swivel range: 120° (0°)
- Swivel spout
- Lockable in the middle position
- Aerator type: Laminar stream

DVGW: NW-6506CR0028, ACS: 16 ACC NY 271

	<p>HANSAMEDIPRO 0255 2206</p> <p>Washbasin faucet Single-lever Wall mounted, DN15</p> <ul style="list-style-type: none"> • Inner body made of DZR brass • Surfaces in contact with drinking water contain less than 0.3% lead • Waterways without nickel coating <p>Flow-rate at 3 bar: 12 l/min Hot water supply: max. +90°C</p>	<p>Chrome</p> <p>EAN 4015474267237</p> <p>Pb <0,3%</p> <p>Ni</p>
<ul style="list-style-type: none"> • Single operating lever/handle • Long shape • Hot/Cold symbols • Limitation option for maximum temperature and flow-rate • Adjustable hot water stop (retrofittable) • Eccentric coupling(s) Cover plate(s) with integrated shut-off valve(s) Cover plate triple sealed 		<ul style="list-style-type: none"> • Ø 48 mm ceramic cartridge for flow and temperature control • Projection: 246 mm • Spout swivel range: 120° (0°) • Swivel spout • Lockable in the middle position • Aerator type: Laminar stream
<p>DVGW: NW-6506CR0028, ACS: 16 ACC NY 271</p>		

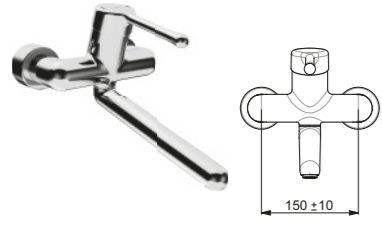
	<p>HANSAMEDIPRO 0254 2202</p> <p>Washbasin faucet Single-lever Wall mounted, DN15</p> <ul style="list-style-type: none"> • Inner body made of DZR brass • Surfaces in contact with drinking water contain less than 0.3% lead • Waterways without nickel coating • Safety control cartridge with operation on one level <p>Flow-rate at 3 bar (with flow controller): 6 l/min Hot water supply: max. +90°C</p>	<p>Chrome</p> <p>EAN 4015474267176</p> <p>Pb <0,3%</p> <p>Ni</p>
<ul style="list-style-type: none"> • Single operating lever/handle • Hot/Cold symbols • Safety feature for water temperature • Eccentric coupling(s) Cover plate(s) with integrated shut-off valve(s) Cover plate triple sealed • Ø 35 mm ceramic cartridge for flow and temperature control 		<ul style="list-style-type: none"> • Projection: 171 mm • Spout swivel range: 120° (0°) • Swivel spout • Lockable in the middle position • Aerator type: Laminar stream
<p>DVGW: NW-6506CR0028</p>		

	<p>HANSAMEDIPRO 0256 2202</p> <p>Washbasin faucet Single-lever Wall mounted, DN15</p> <ul style="list-style-type: none"> • Inner body made of DZR brass • Surfaces in contact with drinking water contain less than 0.3% lead • Waterways without nickel coating • Safety control cartridge with operation on one level <p>Flow-rate at 3 bar (with flow controller): 6 l/min Hot water supply: max. +90°C</p>	<p>Chrome</p> <p>EAN 4015474267251</p> <p>Pb <0,3%</p> <p>Ni</p>
<ul style="list-style-type: none"> • Single operating lever/handle • Hot/Cold symbols • Safety feature for water temperature • Eccentric coupling(s) Cover plate(s) with integrated shut-off valve(s) Cover plate triple sealed • Ø 35 mm ceramic cartridge for flow and temperature control 		<ul style="list-style-type: none"> • Projection: 246 mm • Spout swivel range: 120° (0°) • Swivel spout • Lockable in the middle position • Aerator type: Laminar stream
<p>DVGW: NW-6506CR0028</p>		

	<p>HANSAMEDIPRO 0253 2203</p> <p>Washbasin faucet Single-lever Wall mounted, DN15</p> <ul style="list-style-type: none"> • Inner body made of DZR brass • Surfaces in contact with drinking water contain less than 0.3% lead • Waterways without nickel coating <p>Flow-rate at 3 bar: 12 l/min Hot water supply: max. +90°C</p>	<p>Chrome</p> <p>EAN 4015474267169</p> <p>Pb <0,3%</p> <p>Ni</p>
<ul style="list-style-type: none"> • Single operating lever/handle • Hot/Cold symbols • Limitation option for maximum temperature and flow-rate • Adjustable hot water stop (retrofittable) • Eccentric coupling(s) Cover plate(s) with integrated shut-off valve(s) Cover plate triple sealed 		<ul style="list-style-type: none"> • Ø 48 mm ceramic cartridge for flow and temperature control • Projection: 171 mm • Spout swivel range: 120° (0°) • Swivel spout • Lockable in the middle position • Aerator type: Laminar stream
<p>DVGW: NW-6506CR0028</p>		

	<p>HANSAMEDIPRO 0255 2203</p> <p>Washbasin faucet Single-lever Wall mounted, DN15</p> <ul style="list-style-type: none"> • Inner body made of DZR brass • Surfaces in contact with drinking water contain less than 0.3% lead • Waterways without nickel coating <p>Flow-rate at 3 bar: 12 l/min Hot water supply: max. +90°C</p>	<p>Chrome</p> <p>EAN 4015474267220</p> <p>Pb <0,3%</p> <p>Ni</p>
<ul style="list-style-type: none"> • Single operating lever/handle • Hot/Cold symbols • Limitation option for maximum temperature and flow-rate • Adjustable hot water stop (retrofittable) • Eccentric coupling(s) Cover plate(s) with integrated shut-off valve(s) Cover plate triple sealed 		<ul style="list-style-type: none"> • Ø 48 mm ceramic cartridge for flow and temperature control • Projection: 246 mm • Spout swivel range: 120° (0°) • Swivel spout • Lockable in the middle position • Aerator type: Laminar stream
<p>DVGW: NW-6506CR0028, ACS: 16 ACC NY 271</p>		

	<p>HANSAMEDIPRO 0257 2205</p> <p>Washbasin faucet Single-lever Wall mounted, DN15</p> <ul style="list-style-type: none"> • Inner body made of DZR brass • Surfaces in contact with drinking water contain less than 0.3% lead • Waterways without nickel coating <p>Flow-rate at 3 bar: 12 l/min Hot water supply: max. +90°C</p>	<p>Chrome</p> <p>EAN 4015474267299</p> <p>Pb <0,3%</p> <p>Ni</p>
<ul style="list-style-type: none"> • Single operating lever/handle • Long shape • Loop shape • Hot/Cold symbols • Limitation option for maximum temperature and flow-rate • Adjustable hot water stop (retrofittable) • Eccentric coupling(s) Cover plate(s) with integrated shut-off valve(s) Cover plate triple sealed 		<ul style="list-style-type: none"> • Ø 48 mm ceramic cartridge for flow and temperature control • Projection: 311 mm • Spout swivel range: 120° (0°) • Swivel spout • Lockable in the middle position • Aerator type: Laminar stream
<p>DVGW: NW-6506CR0028</p>		



HANSAMEDIPRO

0257 2206

**Washbasin faucet
Single-lever |
Wall mounted, DN15**

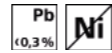
- Inner body made of DZR brass
- Surfaces in contact with drinking water contain less than 0.3% lead
- Waterways without nickel coating

Flow-rate at 3 bar: 12 l/min
Hot water supply: max. +90°C

- Single operating lever/handle
- Long shape
- Hot/Cold symbols
- Limitation option for maximum temperature and flow-rate
- Adjustable hot water stop (retrofitable)
- Eccentric coupling(s) | Cover plate(s) | with integrated shut-off valve(s) | Cover plate triple sealed

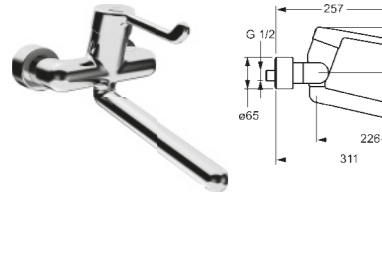
Chrome

EAN 4015474267282



- Ø 48 mm ceramic cartridge for flow and temperature control
- Projection: 311 mm
- Spout swivel range: 120° (0°)
- Swivel spout
- Lockable in the middle position
- Aerator type: Laminar stream

DVGW: NW-6506CR0028



HANSAMEDIPRO

0258 2202

**Washbasin faucet
Single-lever |
Wall mounted, DN15**

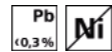
- Inner body made of DZR brass
- Surfaces in contact with drinking water contain less than 0.3% lead
- Waterways without nickel coating
- Safety control cartridge with operation on one level

Flow-rate at 3 bar (with flow controller): 6 l/min
Hot water supply: max. +90°C

- Single operating lever/handle
- Hot/Cold symbols
- Safety feature for water temperature
- Eccentric coupling(s) | Cover plate(s) | with integrated shut-off valve(s) | Cover plate triple sealed
- Ø 35 mm ceramic cartridge for flow and temperature control

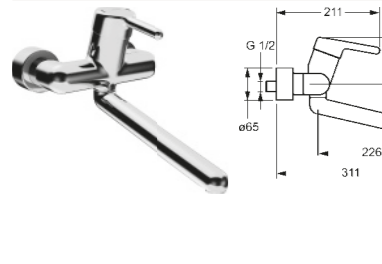
Chrome

EAN 4015474267305



- Projection: 311 mm
- Spout swivel range: 120° (0°)
- Swivel spout
- Lockable in the middle position
- Aerator type: Laminar stream

DVGW: NW-6506CR0028



HANSAMEDIPRO

0257 2203

**Washbasin faucet
Single-lever |
Wall mounted, DN15**

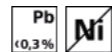
- Inner body made of DZR brass
- Surfaces in contact with drinking water contain less than 0.3% lead
- Waterways without nickel coating

Flow-rate at 3 bar: 12 l/min
Hot water supply: max. +90°C

- Single operating lever/handle
- Hot/Cold symbols
- Limitation option for maximum temperature and flow-rate
- Adjustable hot water stop (retrofitable)
- Eccentric coupling(s) | Cover plate(s) | with integrated shut-off valve(s) | Cover plate triple sealed

Chrome

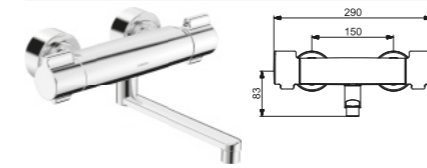
EAN 4015474267275



- Ø 48 mm ceramic cartridge for flow and temperature control
- Projection: 311 mm
- Spout swivel range: 120° (0°)
- Swivel spout
- Lockable in the middle position
- Aerator type: Laminar stream

DVGW: NW-6506CR0028

HANSACLINICA



HANSACLINICA

0880 6202

**Washbasin faucet
Thermostatic |
Wall mounted**

- Inner body made of DZR brass
- Waterways without nickel coating
- Thermal disinfection without cartridge readjustment
- Safety lock against scalding 38°C (36°-44°)

Flow-rate at 3 bar: 11.4 l/min
Hot water supply: max. +90°C

- Temperature control handle
- Flow control handle
- Eco feature for water flow
- The housing of the fittings conducts minimal heat
- Eccentric coupling(s) | Cover plate(s) | with integrated shut-off valve(s) | Silencer(s) | Cover plate triple sealed (G1/2)

Backflow prevention (EN1717): AA

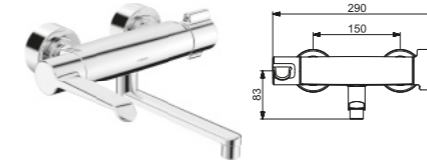
- Ceramic head part for flow control

Chrome

EAN 4057304013416



- Thermostatic cartridge for automatic temperature control
- Non-return valve(s)
- Litter filter(s)
- Projection: 285 mm
- Spout swivel range: 120° (60°/0°)
- Swivel spout
- Lockable in the middle position
- Swivel range limiting option
- Profile construction
- Aerator type: Laminar stream



HANSACLINICA

0880 5202

**Washbasin faucet
Thermostatic |
Wall mounted**

- Inner body made of DZR brass
- Waterways without nickel coating
- Thermal disinfection without cartridge readjustment
- Safety lock against scalding 38°C (36°-44°)

Flow-rate at 3 bar: 11.4 l/min
Hot water supply: max. +90°C

- Temperature control handle
- Flow control handle
- Long shape
- Eco feature for water flow
- The housing of the fittings conducts minimal heat
- Eccentric coupling(s) | Cover plate(s) | with integrated shut-off valve(s) | Silencer(s) | Cover plate triple sealed (G1/2)

Backflow prevention (EN1717): AA

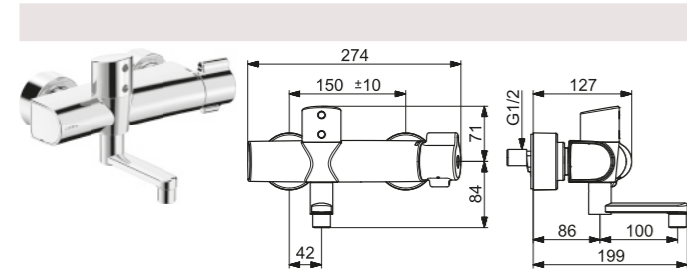
- Ceramic head part for flow control

Chrome

EAN 4057304013409



- Thermostatic cartridge for automatic temperature control
- Non-return valve(s)
- Litter filter(s)
- Projection: 285 mm
- Spout swivel range: 120° (60°/0°)
- Swivel spout
- Lockable in the middle position
- Swivel range limiting option
- Profile construction
- Aerator type: Laminar stream



HANSACLINICA

0886 6201

**Washbasin faucet
Touchless/Thermostatic/
Battery-operated/Bluetooth® |
Wall mounted**

- Inner body made of DZR brass
- Waterways without nickel coating
- Thermal disinfection without cartridge readjustment
- Software settings adjustable via App
- Safety lock against scalding 38°C (36°-44°)

Flow-rate at 3 bar: 9.6 l/min
Hot water supply: max. +70°C

- Temperature control handle
- The housing of the fittings conducts minimal heat
- Eccentric coupling(s) | Cover plate(s) | with integrated shut-off valve(s) | Silencer(s) | Cover plate triple sealed (G1/2)
- Backflow prevention (EN1717): AA**
- Thermostatic cartridge for automatic temperature control
- Non-return valve(s)
- Litter filter(s)
- Autofocus infrared sensor
- Solenoid valve

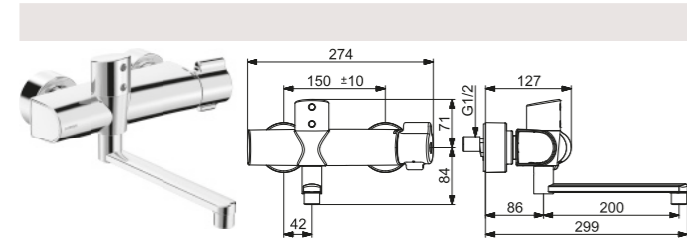
Declaration of conformity (CE): RED

Chrome

EAN 4057304014437



- Low battery indicator
- Battery: Lithium 2CR5 6 V
- **Automatic flush frequency:** off (off/1-120 h) – Automatic flush period: 30 s (1-1800 s)
- Projection: 186 mm
- Spout swivel range: 120° (60°/0°)
- Detachable spout
- Swivel spout
- Lockable in the middle position
- Profile construction
- Aerator type: Laminar stream
- Max. flow period: 2 min (1 – 1800 s)
- Operating voltage: 6 V



HANSACLINICA

0886 6202

**Washbasin faucet
Touchless/Thermostatic/
Battery-operated/Bluetooth® |
Wall mounted**

- Inner body made of DZR brass
- Waterways without nickel coating
- Thermal disinfection without cartridge readjustment
- Software settings adjustable via App
- Safety lock against scalding 38°C (36°-44°)

Flow-rate at 3 bar: 9.6 l/min
Hot water supply: max. +70°C

- Temperature control handle
- The housing of the fittings conducts minimal heat
- Eccentric coupling(s) | Cover plate(s) | with integrated shut-off valve(s) | Silencer(s) | Cover plate triple sealed (G1/2)
- Backflow prevention (EN1717): AA**
- Thermostatic cartridge for automatic temperature control
- Non-return valve(s)
- Litter filter(s)
- Autofocus infrared sensor
- Solenoid valve

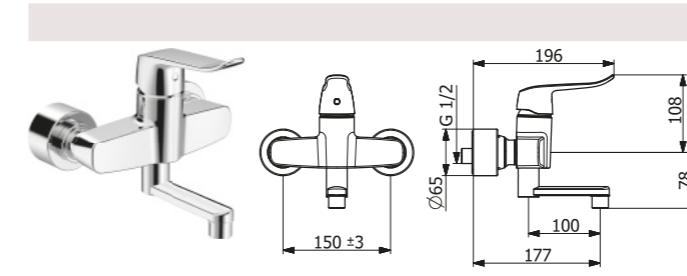
Declaration of conformity (CE): RED

Chrome

EAN 4057304014444



- Low battery indicator
- Battery: Lithium 2CR5 6 V
- **Automatic flush frequency:** off (off/1-120 h) – Automatic flush period: 30 s (1-1800 s)
- Projection: 286 mm
- Spout swivel range: 120° (60°/0°)
- Detachable spout
- Swivel spout
- Lockable in the middle position
- Profile construction
- Aerator type: Laminar stream
- Max. flow period: 2 min (1 – 1800 s)
- Operating voltage: 6 V



HANSACLINICA

0152 6283

**Washbasin faucet
Single-lever |
Wall mounted, DN15**

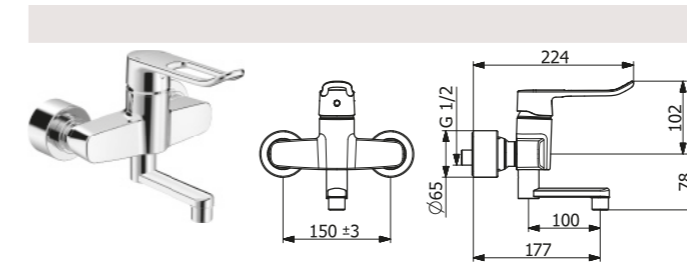
- Inner body made of DZR brass
 - Waterways without nickel coating
- Flow-rate at 3 bar (with flow reducers): 10.2 l/min
Hot water supply: max. +90°C

- Single operating lever/handle
- Long shape
- Hot/Cold symbols
- Limitation option for maximum temperature and flow-rate
- Adjustable hot water stop (retrofitable)
- Eccentric coupling(s) | Cover plate(s) | with integrated shut-off valve(s) | Silencer(s) | Cover plate triple sealed (G1/2)

- Backflow prevention (EN1717): AA**
- Ø 40 mm ceramic cartridge for flow and temperature control
- Litter filter(s)
- Projection: 177 mm
- Spout swivel range: 120° (60° / 0°)
- Swivel spout
- Swivel range limiting option
- Aerator type: Laminar stream

Chrome

EAN 4057304013119



HANSACLINICA

0152 6286

**Washbasin faucet
Single-lever |
Wall mounted, DN15**

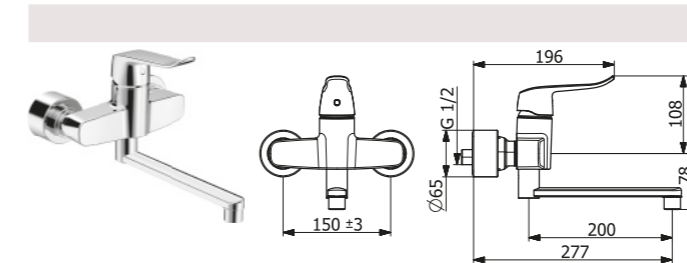
- Inner body made of DZR brass
 - Waterways without nickel coating
- Flow-rate at 3 bar (with flow reducers): 10.2 l/min
Hot water supply: max. +90°C

- Single operating lever/handle
- Long shape
- Loop shape
- Hot/Cold symbols
- Limitation option for maximum temperature and flow-rate
- Adjustable hot water stop (retrofitable)
- Eccentric coupling(s) | Cover plate(s) | with integrated shut-off valve(s) | Silencer(s) | Cover plate triple sealed (G1/2)

- Backflow prevention (EN1717): AA**
- Ø 40 mm ceramic cartridge for flow and temperature control
- Litter filter(s)
- Projection: 177 mm
- Spout swivel range: 120° (60° / 0°)
- Swivel spout
- Swivel range limiting option
- Aerator type: Laminar stream

Chrome

EAN 4057304012600



HANSACLINICA

0153 6283

**Washbasin faucet
Single-lever |
Wall mounted, DN15**

- Inner body made of DZR brass
 - Waterways without nickel coating
- Flow-rate at 3 bar (with flow reducers): 10.2 l/min
Hot water supply: max. +90°C

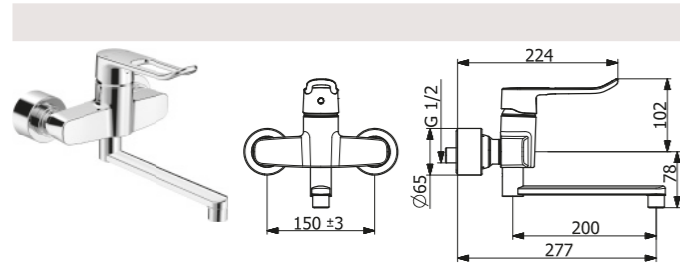
- Single operating lever/handle
- Long shape
- Hot/Cold symbols
- Limitation option for maximum temperature and flow-rate
- Adjustable hot water stop (retrofitable)
- Eccentric coupling(s) | Cover plate(s) | with integrated shut-off valve(s) | Silencer(s) | Cover plate triple sealed (G1/2)

- Backflow prevention (EN1717): AA**
- Ø 40 mm ceramic cartridge for flow and temperature control
- Litter filter(s)
- Projection: 277 mm
- Spout swivel range: 120° (60° / 0°)
- Swivel spout
- Swivel range limiting option
- Aerator type: Laminar stream

Chrome

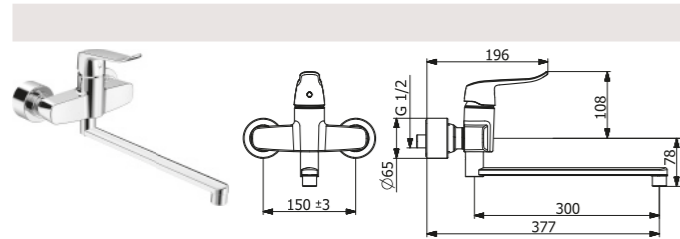
EAN 4057304013126





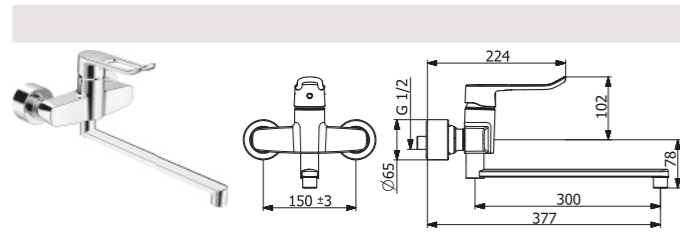
HANSACLINICA **0153 6286**
Washbasin faucet
Single-lever |
Wall mounted, DN15
 • Inner body made of DZR brass
 • Waterways without nickel coating
 Flow-rate at 3 bar (with flow reducers): 10.2 l/min
 Hot water supply: max. +90°C

Backflow prevention (EN1717): AA
 • Ø 40 mm ceramic cartridge for flow and temperature control
 • Litter filter(s)
 • Projection: 277 mm
 • Spout swivel range: 120° (60° / 0°)
 • Swivel spout
 • Swivel range limiting option
 • Aerator type: Laminar stream



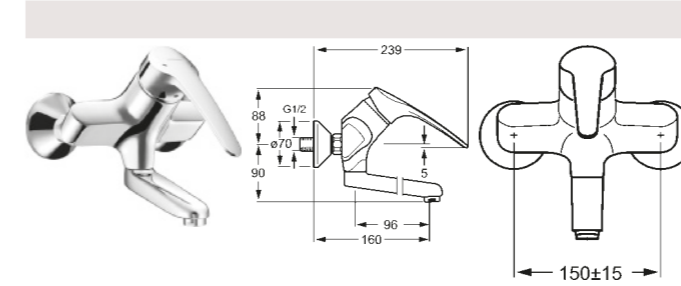
HANSACLINICA **0154 6283**
Washbasin faucet
Single-lever |
Wall mounted, DN15
 • Inner body made of DZR brass
 • Waterways without nickel coating
 Flow-rate at 3 bar (with flow reducers): 10.2 l/min
 Hot water supply: max. +90°C

Backflow prevention (EN1717): AA
 • Ø 40 mm ceramic cartridge for flow and temperature control
 • Litter filter(s)
 • Projection: 377 mm
 • Spout swivel range: 120° (60° / 0°)
 • Swivel spout
 • Swivel range limiting option
 • Profile construction
 • Aerator type: Laminar stream



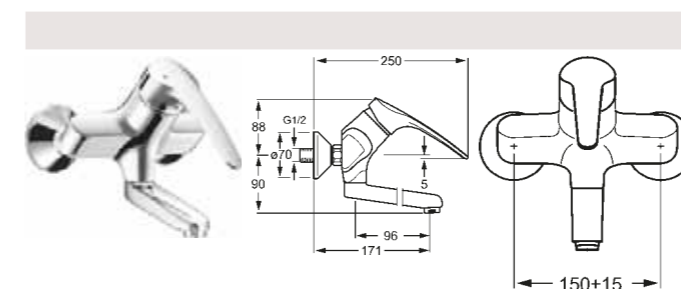
HANSACLINICA **0154 6286**
Washbasin faucet
Single-lever |
Wall mounted, DN15
 • Inner body made of DZR brass
 • Waterways without nickel coating
 Flow-rate at 3 bar (with flow reducers): 10.2 l/min
 Hot water supply: max. +90°C

Backflow prevention (EN1717): AA
 • Ø 40 mm ceramic cartridge for flow and temperature control
 • Litter filter(s)
 • Projection: 377 mm
 • Spout swivel range: 120° (60° / 0°)
 • Swivel spout
 • Swivel range limiting option
 • Profile construction
 • Aerator type: Laminar stream



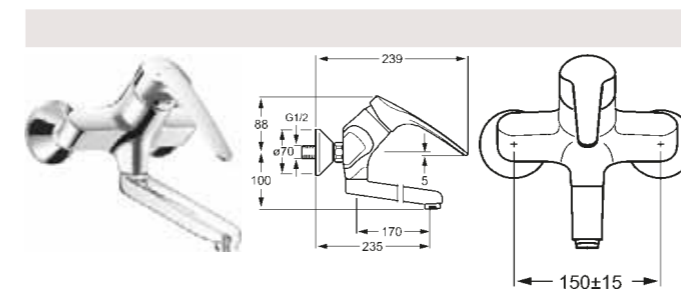
HANSAMEDICA **0196 8176**
Washbasin faucet
Single-lever |
Wall mounted, DN15
 • Inner body made of DZR brass
 • Waterways without nickel coating
 Flow-rate at 3 bar: 12 l/min
 Eco-flow at 3 bar: 6 l/min
 Hot water supply: max. +90°C

Backflow prevention (EN1717): AA
 • Ø 48 mm ceramic eco cartridge for flow and temperature control
 • Projection: 160 mm
 • Spout swivel range: 120°
 • Swivel spout
 • Lockable in the middle position
 • Aerator type: Laminar stream



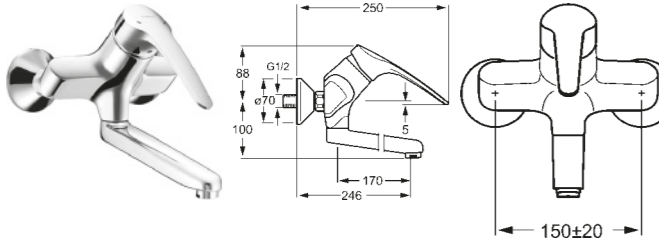
HANSAMEDICA **0196 8276**
Washbasin faucet
Single-lever |
Wall mounted, DN15
 • Inner body made of DZR brass
 • Waterways without nickel coating
 Flow-rate at 3 bar: 12 l/min
 Eco-flow at 3 bar: 6 l/min
 Hot water supply: max. +90°C

Backflow prevention (EN1717): AA
 • Ø 48 mm ceramic eco cartridge for flow and temperature control
 • Projection: 171 mm
 • Spout swivel range: 120°
 • Swivel spout
 • Lockable in the middle position
 • Aerator type: Laminar stream



HANSAMEDICA **0194 8176**
Washbasin faucet
Single-lever |
Wall mounted, DN15
 • Inner body made of DZR brass
 • Waterways without nickel coating
 Flow-rate at 3 bar: 12 l/min
 Eco-flow at 3 bar: 6 l/min
 Hot water supply: max. +90°C

Backflow prevention (EN1717): AA
 • Ø 48 mm ceramic eco cartridge for flow and temperature control
 • Projection: 235 mm
 • Spout swivel range: 120°
 • Swivel spout
 • Lockable in the middle position
 • Aerator type: Laminar stream

	HANSAMEDICA 0194 8276
	Washbasin faucet Single-lever Wall mounted, DN15

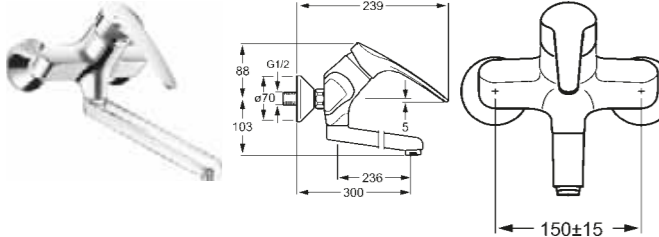
- Inner body made of DZR brass
- Waterways without nickel coating

Flow-rate at 3 bar: 12 l/min
 Eco-flow at 3 bar: 6 l/min
 Hot water supply: max. +90°C

- Single operating lever/handle
- Long shape
- Hot/Cold symbols
- Limitation option for maximum temperature and flow-rate
- Adjustable hot water stop (retrofitable)
- Eccentric coupling(s) | with integrated shut-off valve(s) | Silencer(s)

- Ø 48 mm ceramic eco cartridge for flow and temperature control
- Projection: 246 mm
- Spout swivel range: 120°
- Swivel spout
- Lockable in the middle position
- Aerator type: Laminar stream

DVGW: NW-6506BU0493, ABP: PA-IX 29302/IA

	HANSAMEDICA 0169 2176
	Washbasin faucet Single-lever Wall mounted, DN15

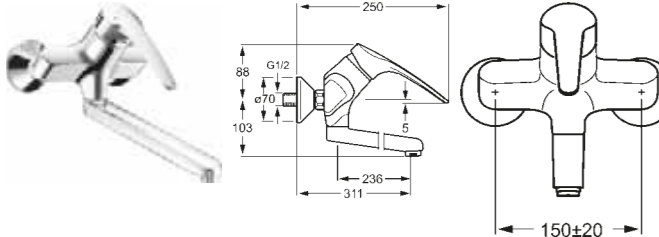
- Inner body made of DZR brass
- Waterways without nickel coating

Flow-rate at 3 bar: 12 l/min
 Eco-flow at 3 bar: 6 l/min
 Hot water supply: max. +90°C

- Single operating lever/handle
- Long shape
- Hot/Cold symbols
- Limitation option for maximum temperature and flow-rate
- Adjustable hot water stop (retrofitable)
- Eccentric coupling(s) | Silencer(s)

- Ø 48 mm ceramic eco cartridge for flow and temperature control
- Projection: 300 mm
- Spout swivel range: 120°
- Swivel spout
- Lockable in the middle position
- Aerator type: Laminar stream

DVGW: NW-6506BU0493, ABP: PA-IX 29302/IA

	HANSAMEDICA 0169 2276
	Washbasin faucet Single-lever Wall mounted, DN15

- Inner body made of DZR brass
- Waterways without nickel coating

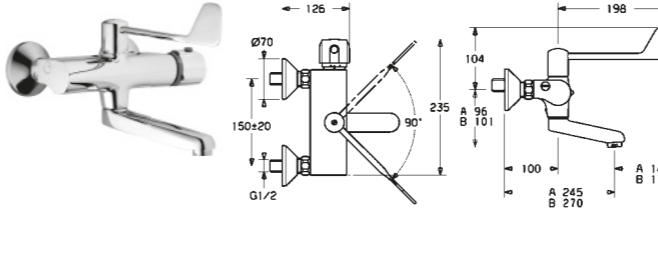
Flow-rate at 3 bar: 12 l/min
 Eco-flow at 3 bar: 6 l/min
 Hot water supply: max. +90°C

- Single operating lever/handle
- Long shape
- Hot/Cold symbols
- Limitation option for maximum temperature and flow-rate
- Adjustable hot water stop (retrofitable)
- Eccentric coupling(s) | with integrated shut-off valve(s) | Silencer(s)

- Ø 48 mm ceramic eco cartridge for flow and temperature control
- Projection: 311 mm
- Spout swivel range: 120°
- Swivel spout
- Lockable in the middle position
- Aerator type: Laminar stream

DVGW: NW-6506BU0493, ABP: PA-IX 29302/IA

HANSATEMPRA

	HANSATEMPRA 0838 2202
	Washbasin faucet Thermostatic Wall mounted, DN15

- Inner body made of DZR brass
- Waterways without nickel coating
- Thermal disinfection without cartridge readjustment

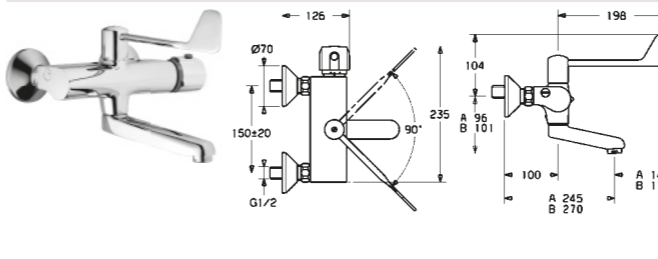
Flow-rate at 3 bar: 12 l/min
 Hot water supply: max. +90°C

- Temperature control handle
- Flow control handle
- Long shape
- Limitation option for maximum temperature and flow-rate
- Adjustable hot water stop (retrofitable)
- Safety stop against scalding at 38°C
- Eccentric coupling(s) | with integrated shut-off valve(s)

- Backflow prevention (EN1717): AA
- Ceramic head part for flow control

ABP: PA-IX 29306/IA

- Thermostatic cartridge for automatic temperature control
- Non-return valve(s)
- Litter filter(s)
- Projection: 245 mm
- Spout swivel range: 120°
- Swivel spout
- Lockable in the middle position
- Casted construction
- Aerator type: Standard aerator

	HANSATEMPRA 0838 2292
	Washbasin faucet Thermostatic Wall mounted, DN15

- Inner body made of DZR brass
- Waterways without nickel coating
- Thermal disinfection without cartridge readjustment

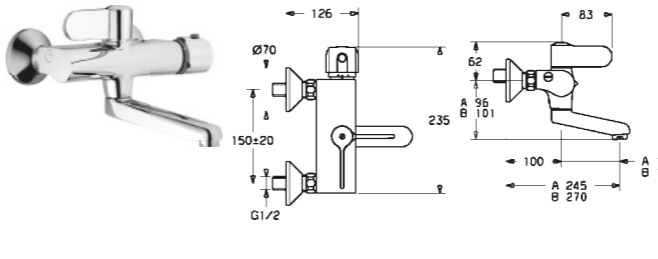
Flow-rate at 3 bar: 12 l/min
 Hot water supply: max. +90°C

- Temperature control handle
- Flow control handle
- Long shape
- Limitation option for maximum temperature and flow-rate
- Adjustable hot water stop (retrofitable)
- Safety stop against scalding at 38°C
- Eccentric coupling(s) | with integrated shut-off valve(s) (G1/2)

- Backflow prevention (EN1717): AA
- Ceramic head part for flow control

ABP: PA-IX 29306/IA

- Thermostatic cartridge for automatic temperature control
- Non-return valve(s)
- Litter filter(s)
- Projection: 245 mm
- Spout swivel range: 120°
- Swivel spout
- Self-draining model
- Lockable in the middle position
- Casted construction
- Aerator type: Standard aerator

	HANSATEMPRA 0838 2212
	Washbasin faucet Thermostatic Wall mounted, DN15

- Inner body made of DZR brass
- Waterways without nickel coating
- Thermal disinfection without cartridge readjustment

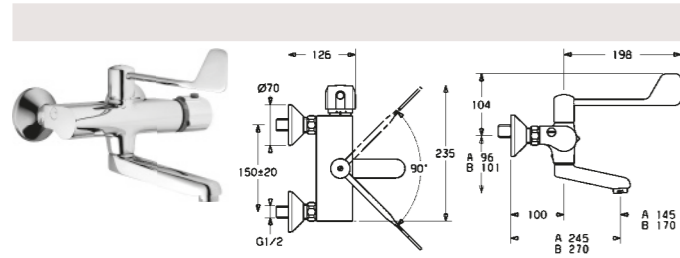
Flow-rate at 3 bar: 12 l/min
 Hot water supply: max. +90°C

- Temperature control handle
- Flow control handle
- Limitation option for maximum temperature and flow-rate
- Adjustable hot water stop (retrofitable)
- Safety stop against scalding at 38°C
- Eccentric coupling(s) | with integrated shut-off valve(s) (G1/2)

- Backflow prevention (EN1717): AA
- Ceramic head part for flow control

ABP: PA-IX 29306/IA

- Thermostatic cartridge for automatic temperature control
- Non-return valve(s)
- Litter filter(s)
- Projection: 245 mm
- Spout swivel range: 120°
- Swivel spout
- Lockable in the middle position
- Casted construction
- Aerator type: Standard aerator



HANSATEMPRA

0838 5202

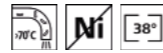
**Washbasin faucet
Thermostatic |
Wall mounted, DN15**

- Inner body made of DZR brass
- Waterways without nickel coating
- Thermal disinfection without cartridge readjustment

Flow-rate at 3 bar: 12 l/min
Hot water supply: max. +90°C

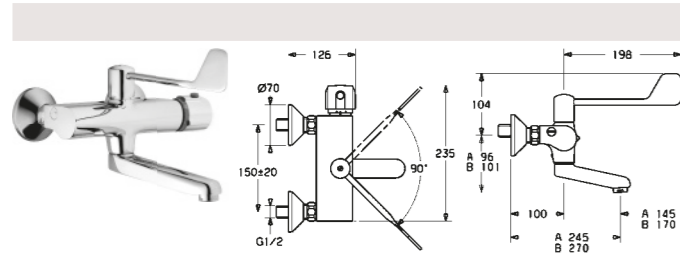
Chrome

EAN 4015474658660



- Temperature control handle
- Flow control handle
- Long shape
- Limitation option for maximum temperature and flow-rate
- Adjustable hot water stop (retrofitable)
- Safety stop against scalding at 38°C
- Eccentric coupling(s) | with integrated shut-off valve(s) (G1/2)
- Backflow prevention (EN1717): AA
- Ceramic head part for flow control
- Thermostatic cartridge for automatic temperature control
- Non-return valve(s)
- Litter filter(s)
- Projection: 270 mm
- Spout swivel range: 120°
- Swivel spout
- Lockable in the middle position
- Casted construction
- Aerator type: Standard aerator

ABP: PA-IX 29306/IA



HANSATEMPRA

0838 5292

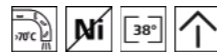
**Washbasin faucet
Thermostatic |
Wall mounted, DN15**

- Inner body made of DZR brass
- Waterways without nickel coating
- Thermal disinfection without cartridge readjustment

Flow-rate at 3 bar: 12 l/min
Hot water supply: max. +90°C

Chrome

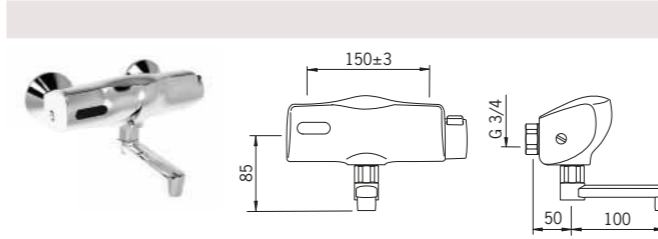
EAN 4015474053922



- Temperature control handle
- Flow control handle
- Long shape
- Limitation option for maximum temperature and flow-rate
- Adjustable hot water stop (retrofitable)
- Safety stop against scalding at 38°C
- Eccentric coupling(s) | with integrated shut-off valve(s) (G1/2)
- Backflow prevention (EN1717): AA
- Ceramic head part for flow control
- Thermostatic cartridge for automatic temperature control
- Non-return valve(s)
- Litter filter(s)
- Projection: 270 mm
- Spout swivel range: 120°
- Swivel spout
- Self-draining model
- Lockable in the middle position
- Casted construction
- Aerator type: Standard aerator

ABP: PA-IX 29306/IA

HANSAELECTRA



HANSAELECTRA

6446 2201

**Washbasin faucet
Touchless/Battery-operated |
Wall mounted, DN15**

Chrome

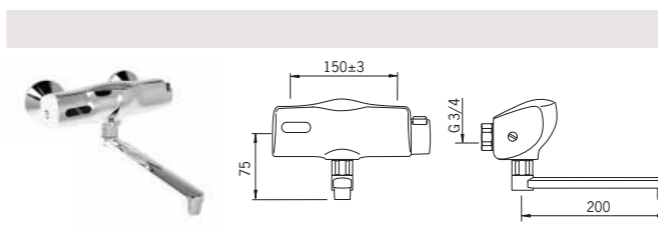
EAN 4015474277182

- Software settings adjustable via magnetic key
- Flow-rate at 3 bar (with flow controller): 6 l/min
- Hot water supply: max. +70°C



- Temperature control handle
- Limitation option for maximum temperature and flow-rate
- Eccentric coupling(s) | with integrated shut-off valve(s)
- Pressostatic cartridge for automatic temperature control
- Non-return valve(s)
- Litter filter(s)
- Autofocus infrared sensor
- Solenoid valve
- Low battery indicator
- Battery: Lithium 2CR5 6 V
- Automatic flush frequency: off (off/24/48/72 h)
- Automatic flush period: 30 s
- Projection: 100 mm
- Spout swivel range: 360°
- Swivel spout
- Aerator type: Standard aerator
- Max. flow period: 2 min
- Operating voltage: 6 V

Declaration of conformity (CE): EMC



HANSAELECTRA

6445 2201

**Washbasin faucet
Touchless/Battery-operated |
Wall mounted, DN15**

Chrome

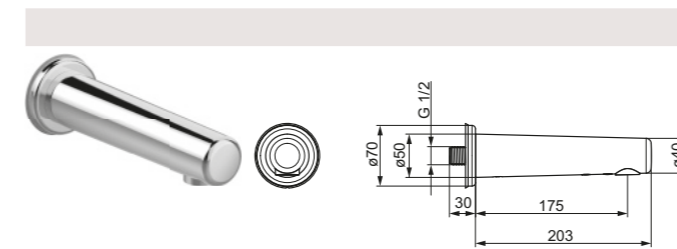
EAN 4015474273498

- Software settings adjustable via magnetic key
- Flow-rate at 3 bar (with flow controller): 6 l/min
- Hot water supply: max. +70°C



- Temperature control handle
- Eccentric coupling(s) | with integrated shut-off valve(s)
- Pressostatic cartridge for automatic temperature control
- Non-return valve(s)
- Litter filter(s)
- Autofocus infrared sensor
- Solenoid valve
- Low battery indicator
- Battery: Lithium 2CR5 6 V
- Automatic flush frequency: off (off/24/48/72 h)
- Automatic flush period: 30 s
- Projection: 200 mm
- Spout swivel range: 360°
- Swivel spout
- Aerator type: Standard aerator
- Max. flow period: 2 min
- Operating voltage: 6 V

Declaration of conformity (CE): EMC



HANSAELECTRA

0087 0019

**Washbasin faucet
Touchless/Battery-operated/
Bluetooth® |
Wall mounted, DN15**

Chrome

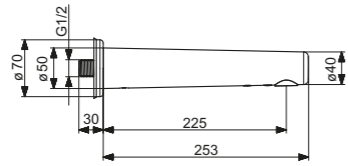
EAN 4057304015885

- Software settings adjustable via magnetic key
- Flow-rate at 3 bar (with flow controller): 6 l/min
- Hot water supply: max. +70°C



- Straight coupling(s) | One inlet for cold or premixed water | External thread | with integrated shut-off valve(s) (G1/2)
- Litter filter(s)
- Autofocus infrared sensor
- Solenoid valve
- Low battery indicator
- Battery: AA 1.5 V Lithium x 2
- Automatic flush frequency: off (off/12/24/48/72 h)
- Automatic flush period: 30 s (10/30/60/120/180/240/300/600 s)
- Projection: 175 mm
- Fixed spout
- Casted construction
- Aerator type: Laminar stream | PCA® - constant flow rate regardless of pressure variations | Protection against burglary
- Max. flow period: 120 s (10/30/60/120/300 s)
- Operating voltage: 3 V

Declaration of conformity (CE): EMC



HANSAELECTRA

0088 0019

**Washbasin faucet
Touchless/Battery-operated/
Bluetooth®**
Wall mounted, DN15

- Software settings adjustable via magnetic key

Flow-rate at 3 bar (with flow controller): 6 l/min
Hot water supply: max. +70°C

- One inlet for cold or premixed water | with integrated shut-off valve(s) (G1/2)
- Non-return valve(s)
- Litter filter(s)
- Autofocus infrared sensor
- Solenoid valve
- Low battery indicator
- Battery: AA 1.5 V Lithium x 2
- **Automatic flush frequency:** off (off/12/24/48/72 h)

Declaration of conformity (CE): EMC

Chrome

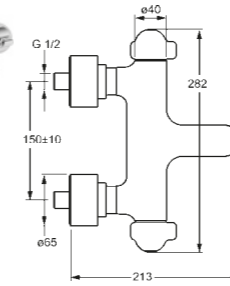
EAN 4057304015892



- Automatic flush period: 30 s (10/30/60/120/180/240/300/600 s)
- Projection: 225 mm
- Fixed spout
- Casted construction
- Aerator type: Laminar stream | PCA® - constant flow rate regardless of pressure variations | Protection against burglary
- Max. flow period: 120 s (10/30/60/120/300 s)
- Operating voltage: 3 V

OVERVIEW - Bathtub&Shower solutions

HANSAMEDIPRO



HANSAMEDIPRO

5810 1201

**Bath and shower faucet
Thermostatic**
Wall mounted, DN15

- Inner body made of DZR brass
- Waterways without nickel coating
- Thermal disinfection without cartridge readjustment
- protected against back-flow in domestic use (according to DIN EN 1717)
Safety lock against scalding 38°C (36°-44°)

Flow-rate at 3 bar: 22.2 / 19.2 l/min
Hot water supply: max. +80°C
Integrated into flow control handle

- Temperature control handle
- Flow control handle
- Hot/Cold symbols
- Limitation option for maximum temperature and flow-rate
- The housing of the fittings conducts minimal heat
- Eccentric coupling(s) | Cover plate(s) | with integrated shut-off valve(s) | Cover plate triple sealed

- Backflow prevention (EN1717): EB**
- Ceramic head part for flow control
- Thermostatic cartridge for automatic temperature control
- Non-return valve(s)
- Litter filter(s)
- Projection: 197 mm
- Fixed spout
- Aerator type: Standard aerator

ABP: PA-IX 29310/IIDB

5808 0201

HANSAMEDIPRO

**Shower faucet
Thermostatic**
Wall mounted, DN15

- Inner body made of DZR brass
- Waterways without nickel coating
- Thermal disinfection without cartridge readjustment
- protected against back-flow in domestic use (according to DIN EN 1717)
Safety lock against scalding 38°C (36°-44°)

Flow-rate at 3 bar: 19.2 l/min
Hot water supply: max. +80°C

- Temperature control handle
- Flow control handle
- Hot/Cold symbols
- Limitation option for maximum temperature and flow-rate
- The housing of the fittings conducts minimal heat

- Eccentric coupling(s) | Cover plate(s) | with integrated shut-off valve(s) | Cover plate triple sealed (G1/2)
- Backflow prevention (EN1717): EB**
- Ceramic head part for flow control
- Thermostatic cartridge for automatic temperature control
- Non-return valve(s)
- Litter filter(s)

DVGW: NW-6509CR0103

HANSACLINICA

HANSACLINICA	0880 6200
Shower faucet Thermostatic Wall mounted	Chrome
	EAN 4057304013430

- Inner body made of DZR brass
- Waterways without nickel coating
- Thermal disinfection without cartridge readjustment
- Safety lock against scalding 38°C (36°-44°)

Flow-rate at 3 bar: 15.6 l/min
Hot water supply: max. +90°C

- Temperature control handle
- Flow control handle
- Eco feature for water flow
- The housing of the fittings conducts minimal heat
- Eccentric coupling(s) | Cover plate(s) | with integrated shut-off valve(s) | Silencer(s) | Cover plate triple sealed (G1/2)

- Backflow prevention (EN1717): EB**
 - Ceramic head part for flow control
 - Thermostatic cartridge for automatic temperature control
 - Non-return valve(s)
 - Litter filter(s)

HANSACLINICA	0886 6200
Shower faucet Touchless/Thermostatic/ Battery-operated/Bluetooth® Wall mounted	Chrome
	EAN 4057304014420

- Inner body made of DZR brass
- Waterways without nickel coating
- Thermal disinfection without cartridge readjustment
- Software settings adjustable via App
- Safety lock against scalding 38°C (36°-44°)

Flow-rate at 3 bar: 12 l/min
Hot water supply: max. +70°C

- Temperature control handle
- The housing of the fittings conducts minimal heat
- Eccentric coupling(s) | Cover plate(s) | with integrated shut-off valve(s) | Silencer(s) | Cover plate triple sealed (G1/2)

- Backflow prevention (EN1717): EB**
 - Thermostatic cartridge for automatic temperature control
 - Non-return valve(s)
- Declaration of conformity (CE): RED**

- Litter filter(s)
- Autofocus infrared sensor
- Solenoid valve
- Low battery indicator
- Battery: Lithium 2CR5 6 V
- **Automatic flush frequency:** off (off/1-120 h)
 - Automatic flush period: 30 s (1-1800 s)
- Max. flow period: 5 min (1 - 1800 s)
- Operating voltage: 6 V

HANSATEMPRA

HANSATEMPRA	0824 0202
Shower faucet Thermostatic Wall mounted, DN15	Chrome
	EAN 4015474658585

- Inner body made of DZR brass
- Waterways without nickel coating
- Thermal disinfection without cartridge readjustment
- protected against back-flow in domestic use (according to DIN EN 1717)

Flow-rate at 3 bar: 21 l/min
Hot water supply: max. +90°C

- Temperature control handle
- Flow control handle
- Adjustable hot water stop (retrofitable)
- Safety stop against scalding at 38°C
- Eccentric coupling(s) | with integrated shut-off valve(s) (G1/2)

- Backflow prevention (EN1717): EB**
 - Thermostatic cartridge for automatic temperature control
 - Non-return valve(s)
 - Litter filter(s)

ABP: PA-IX 29304/ID

HANSATEMPRA	0824 0282
Shower faucet Thermostatic Wall mounted, DN15	Chrome
	EAN 4015474658592

- Vacuum breaker
- Inner body made of DZR brass
- Waterways without nickel coating
- Thermal disinfection without cartridge readjustment

Flow-rate at 3 bar: 21 l/min
Hot water supply: max. +90°C

- Temperature control handle
- Flow control handle
- Limitation option for maximum temperature and flow-rate
- Adjustable hot water stop (retrofitable)
- Safety stop against scalding at 38°C

- Backflow prevention (EN1717): EB**
 - Thermostatic cartridge for automatic temperature control
 - Non-return valve(s)
 - Litter filter(s)

ABP: PA-IX 29304/ID

HANSATEMPRA	0834 0302
Shower faucet Thermostatic Wall mounted (3 hole), DN15	Chrome
	EAN 4015474658615

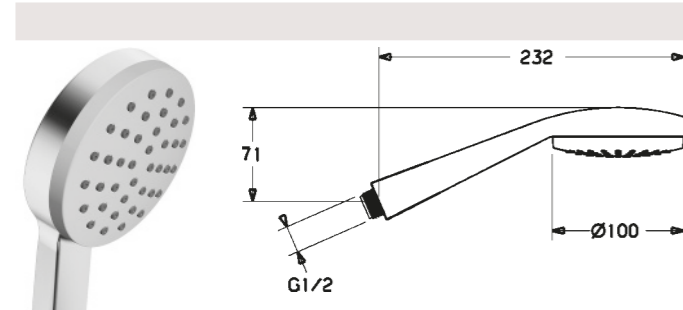
- Inner body made of DZR brass
- Waterways without nickel coating
- Thermal disinfection without cartridge readjustment

Flow-rate at 3 bar: 21 l/min
Hot water supply: max. +90°C

- Temperature control handle
- Flow control handle
- Limitation option for maximum temperature and flow-rate
- Safety stop against scalding at 38°C
- Eccentric coupling(s) (G1/2)

- Backflow prevention (EN1717): EB**
 - Ceramic head part for flow control
 - Thermostatic cartridge for automatic temperature control
 - Non-return valve(s)
 - Litter filter(s)
 - Projection: 124 mm

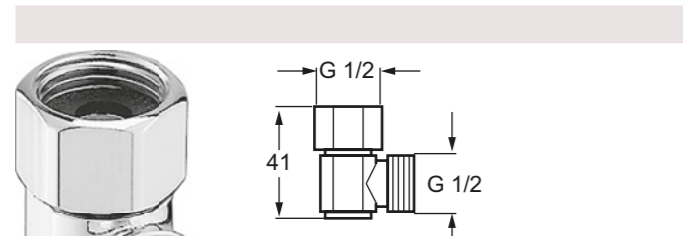
HANSAMEDIJET



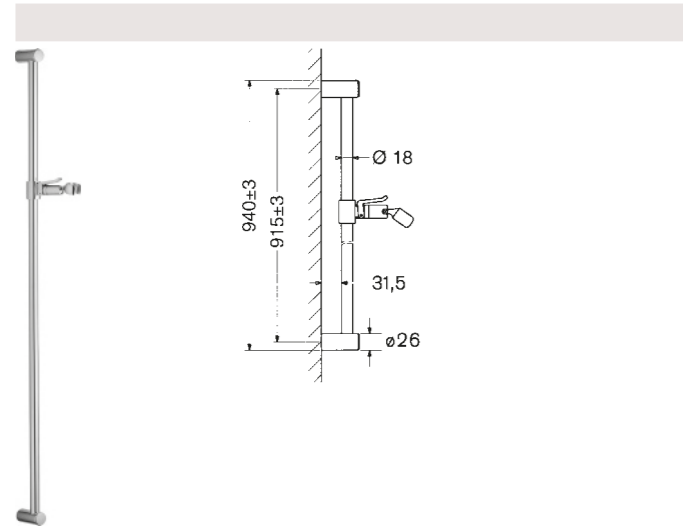
HANSAMEDIJET	0416 0170
Hand shower	Chrome
Flow-rate at 3 bar: 12 l/min Hot water supply: max. +65°C - Anti limescale technology (easy to clean) Hand shower size: Ø 100 mm 1 shower spray: - Low aerosol	EAN 4015474263741
• (G1/2)	• Litter filter(s)
ABP: P-IX 28543/IA	



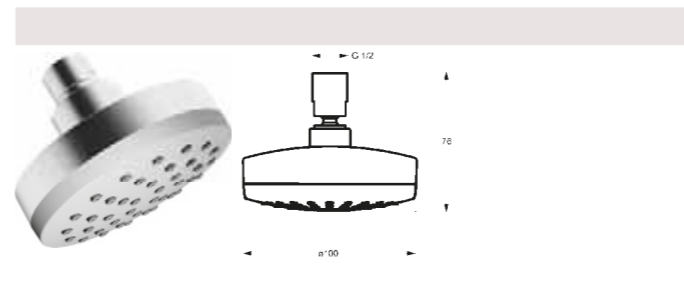
HANSAMEDIPRO	0412 0473
Shower hose	Chrome
1250 mm - Shower hose (1250 mm) - Twist guard for shower hose	EAN 4015474255029
• (G1/2)	



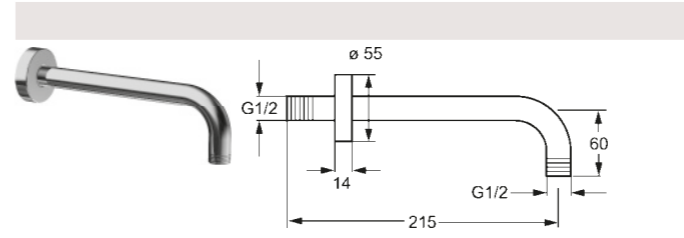
HANSA	0405 0100
Other accessories	Chrome
DN15 Hot water supply: max. +90°C	EAN 4015474036888
• (G1/2)	Backflow prevention (EN1717): HD



HANSA	0448 0100
Shower rail	Chrome
Wall mounted 	EAN 4015474031470
915 mm	
• Flexible length / can be shortened - Adjustable shower rail bracket - Rotatable ball joint connection Diameter: 18 mm	• Litter filter(s)

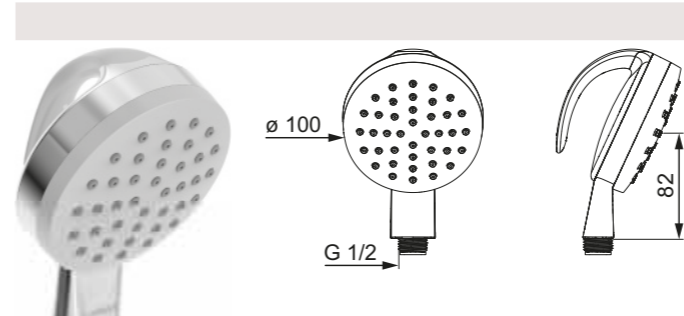


HANSAMEDIJET	4429 0170
Overhead shower	Chrome
DN15 Flow-rate at 3 bar: 12 l/min Hot water supply: max. +65°C Shower head size: Ø 100 mm - Overhead shower - Eco flow control - Rotatable ball joint connection - Anti limescale technology (easy to clean)	EAN 4015474268456
• (G1/2)	• Litter filter(s)

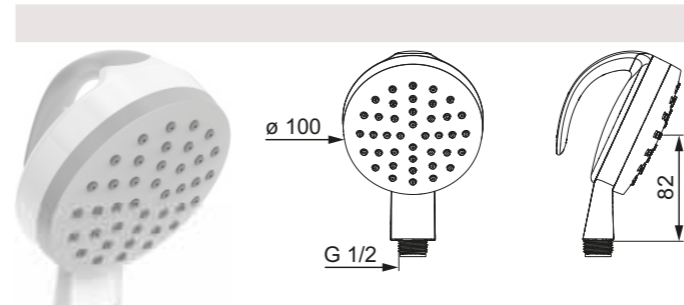


HANSAJET	0411 0200
Overhead shower	Chrome
Wall mounted Diameter: 21 mm	EAN 4015474269354
• (G1/2 x G1/2) • Concealed parts: Round rosette	• Projection: 200 mm
Accessories: Body for shower set, 4404 0100	

HANSAMEDIPRO FLEX



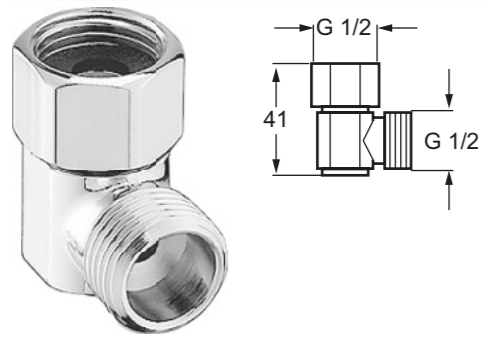
HANSAMEDIPRO FLEX	4428 0170
Hand shower	Chrome
Flow-rate at 3 bar: 12 l/min Hot water supply: max. +65°C - Anti limescale technology (easy to clean) Hand shower size: Ø 100 mm 1 shower spray: - Low aerosol	EAN 4015474268449
• (G1/2)	• Litter filter(s)
ABP: P-IX 28552/IIA	



HANSAMEDIPRO FLEX	4428 0180
Hand shower	White
• Disinfection proof (max. +95°C) Flow-rate at 3 bar: 12 l/min Hot water supply: max. +65°C - Anti limescale technology (easy to clean) Hand shower size: Ø 100 mm 1 shower spray: - Low aerosol	EAN 4057304003912
• (G1/2)	• Litter filter(s)

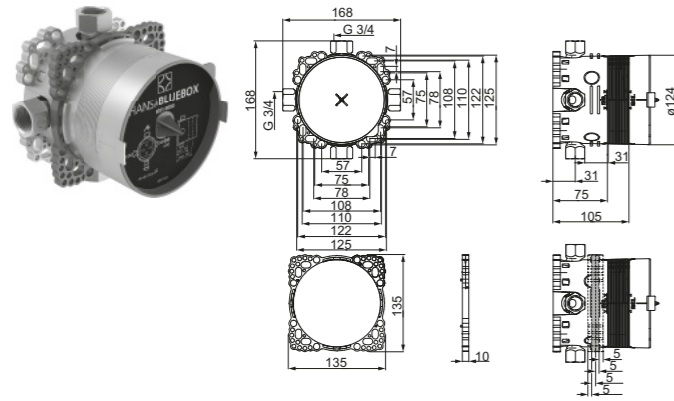


HANSAMEDIPRO	0412 0473
Shower hose	Chrome
1250 mm - Shower hose (1250 mm) - Twist guard for shower hose	EAN 4015474255029
• (G1/2)	

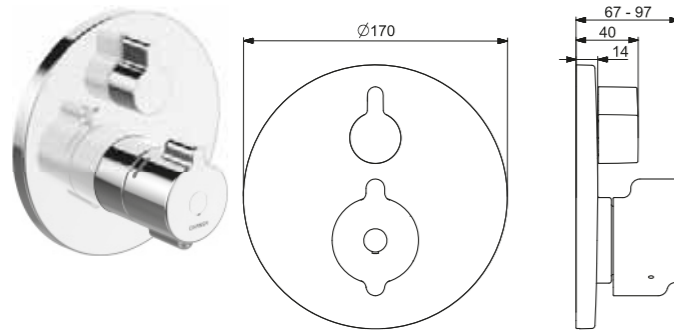


HANSA	0405 0100
Other accessories DN15 Hot water supply: max. +90°C	Chrome EAN 4015474036888
• (G1/2)	Backflow prevention (EN1717): HD

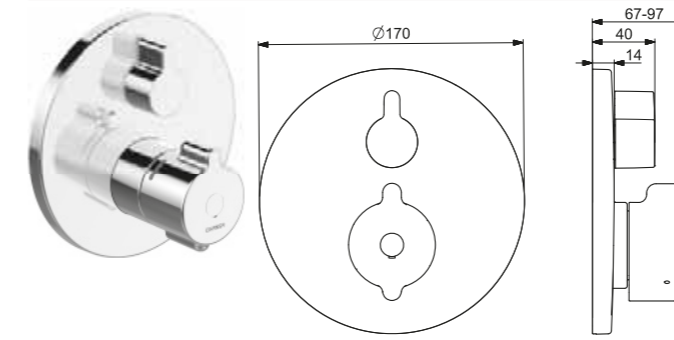
OVERVIEW - Concealed solutions
HANSACLINICA



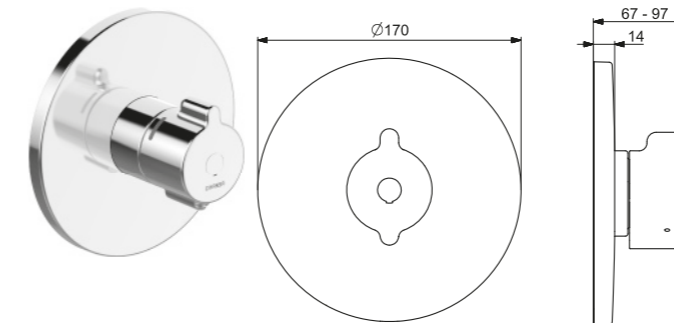
HANSABLUEBOX	8001 0000
Bath and shower faucet Concealed unit Concealed wall mounting, DN20 • Inner body made of DZR brass Installation depth: 75 - 105 mm Hot water supply: max. +90°C	EAN 4015474279476
<ul style="list-style-type: none"> with integrated shut-off valve(s) (G3/4) Pressure plug 	<ul style="list-style-type: none"> Concealed parts: Gasket sleeve for dry mortarless construction Multifix fastening system Mounting box and cover sleeve Excluded items: Without trim kit
Accessories: Raising kit, 15 mm, 59 914 182; Adapter, H/C reversed, 59 914 184; Flush connector, 59 914 185; Assembling plate, 4405 0000	



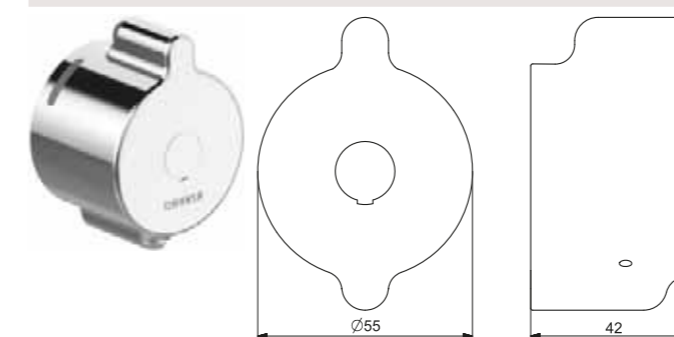
HANSACLINICA	8862 9085
Bath and shower faucet Trim Kit/Thermostatic Concealed wall mounting • BLUESWITCH 2-way operated diverter with volume control and stop function • Thermal disinfection without cartridge readjustment • protected against back-flow in domestic use (according to DIN EN 1717) Safety lock against scalding 38°C (36°-44°) Flow-rate at 3 bar: 22.2 / 22.2 l/min Hot water supply: max. +80°C Diameter: 170 mm	Chrome EAN 4057304012549
<ul style="list-style-type: none"> Temperature control handle Flow control handle Thermostatic cartridge for automatic temperature control Non-return valve(s) 	<ul style="list-style-type: none"> Concealed parts: Round rosette BLUECLICK for an easy, screwless trim plate installation Function unit BLUETUNE alignment after installation of +/- 3,5°
Required sales items HANSABLUEBOX Bath and shower faucet 8000 0000 HANSABLUEBOX Bath and shower faucet 8001 0000	



HANSACLINICA	8861 9085
Shower faucet Trim Kit/Thermostatic Concealed wall mounting • Thermal disinfection without cartridge readjustment • protected against back-flow in domestic use (according to DIN EN 1717) Safety lock against scalding 38°C (36°-44°) Flow-rate at 3 bar: 22.8 l/min Hot water supply: max. +80°C Diameter: 170 mm	Chrome EAN 4057304012532
<ul style="list-style-type: none"> Temperature control handle Flow control handle Thermostatic cartridge for automatic temperature control Non-return valve(s) 	<ul style="list-style-type: none"> Concealed parts: Round rosette BLUECLICK for an easy, screwless trim plate installation Function unit BLUETUNE alignment after installation of +/- 3,5°
Required sales items HANSABLUEBOX Bath and shower faucet 8000 0000 HANSABLUEBOX Bath and shower faucet 8001 0000	

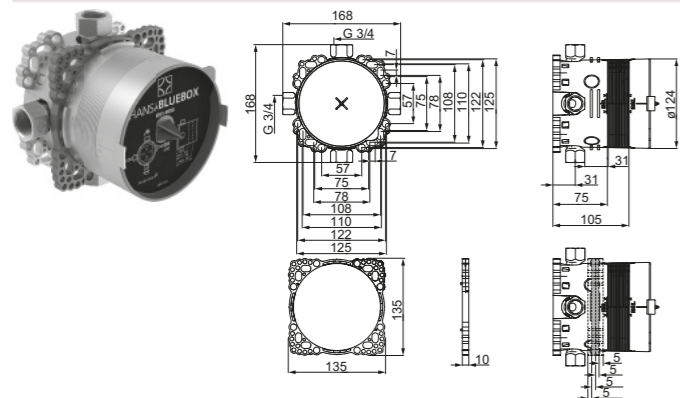


HANSACLINICA	8860 9085
Shower faucet Trim Kit/Thermostatic Concealed wall mounting • Thermal disinfection without cartridge readjustment • protected against back-flow in domestic use (according to DIN EN 1717) Safety lock against scalding 38°C (36°-44°) Flow-rate at 3 bar: 24 l/min Hot water supply: max. +80°C Diameter: 170 mm	Chrome EAN 4057304012556
<ul style="list-style-type: none"> Temperature control handle Thermostatic cartridge for automatic temperature control Non-return valve(s) 	<ul style="list-style-type: none"> Concealed parts: Round rosette BLUECLICK for an easy, screwless trim plate installation Function unit BLUETUNE alignment after installation of +/- 3,5°
Required sales items HANSABLUEBOX Bath and shower faucet 8000 0000 HANSABLUEBOX Bath and shower faucet 8001 0000	



HANSACLINICA	59 914 169
Handle / Update kit for disinfection • Thermal disinfection without cartridge readjustment • Safety lock against scalding 38°C (36°-44°) Flow-rate at 3 bar: 22.2 / 22.2 l/min Hot water supply: max. +80°C Diameter: 170 mm	EAN 4057304012563
<ul style="list-style-type: none"> Safety feature for water temperature 	<ul style="list-style-type: none"> Hot/Cold symbols

HANSAELECTRA



HANSABLUEBOX **8001 0000**
 EAN 4015474279476

**Bath and shower faucet
 Concealed unit |
 Concealed wall mounting, DN20**

• Inner body made of DZR brass
 Installation depth: 75 - 105 mm
 Hot water supply: max. +90°C

- with integrated shut-off valve(s) (G3/4)
- Pressure plug
- Concealed parts: Gasket sleeve for dry mortarless construction | Multifix fastening system | Mounting box and cover sleeve
- Excluded items: Without trim kit

Accessories: Raising kit, 15 mm, 59 914 182; Adapter, H/C reversed, 59 914 184; Flush connector, 59 914 185; Assembling plate, 4405 0000

HANSAELECTRA **8090 9001**

**Shower faucet
 Trim Kit/Touchless/Thermostatic/
 External transformer |
 Concealed wall mounting**

• Software settings adjustable via magnetic key

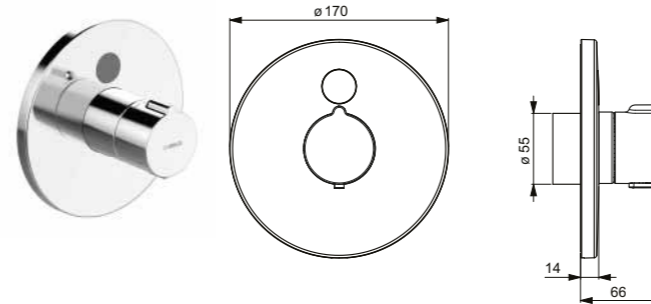
Flow-rate at 3 bar: 13.8 l/min
 Hot water supply: max. +70°C

- Temperature control handle
- Limitation option for maximum temperature and flow-rate
- Safety stop against scalding at 38°C
- Thermostatic cartridge for automatic temperature control
- Non-return valve(s)
- Autofocus infrared sensor
- Solenoid valve
- External control unit
- Light indicated function(s)
- Concealed parts: Round rosette | BLUECLICK for an easy, screwless trim plate installation
- Excluded items: Without transformer
- **Automatic flush frequency:** off (off/6/12/18/24/30/36/48/60/72 h)
 - Automatic flush period: 30 s (30/60/90/120/180/240/300/360/480/600 s)
- Max. flow period: 60 s (10/30/60/90/120/150/180/210/240/300 s)
- Operating voltage: 12 V

Accessories: Transformer, 230/12 VDC 1A, 6499 0100; Connection cable, L=10000, 59 912 972
ABP: PA-IX 29283/IBB, **Declaration of conformity (CE):** LVD

Required sales items	
HANSA Electronic parts	59 912 972
HANSA Smart accessory	6499 0100
HANSABLUEBOX Bath and shower faucet	8001 0000

HANSAELECTRA **8190 9001**



**Shower faucet
 Trim Kit/Touchless/Thermostatic/
 Battery-operated |
 Concealed wall mounting**

• Software settings adjustable via magnetic key

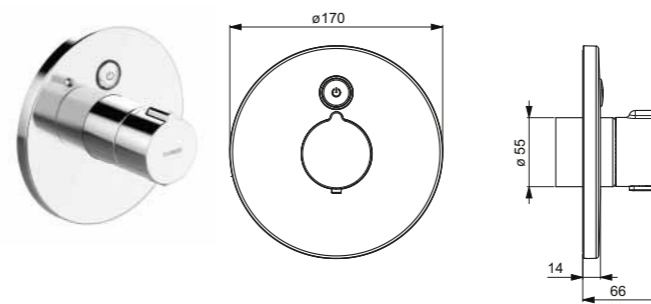
Flow-rate at 3 bar: 13.8 l/min
 Hot water supply: max. +70°C

- Temperature control handle
- Limitation option for maximum temperature and flow-rate
- Safety stop against scalding at 38°C
- Thermostatic cartridge for automatic temperature control
- Non-return valve(s)
- Autofocus infrared sensor
- Solenoid valve
- External control unit
- Light indicated function(s)
- Low battery indicator
- Battery: AA 1.5 V Lithium x 2
- Concealed parts: Round rosette | BLUECLICK for an easy, screwless trim plate installation
- **Automatic flush frequency:** off (off/6/12/18/24/30/36/48/60/72 h)
 - Automatic flush period: 30 s (30/60/90/120/180/240/300/360/480/600 s)
- Max. flow period: 60 s (10/30/60/90/120/150/180/210/240/300 s)
- Operating voltage: 3 V

ABP: PA-IX 29283/IBB, **Declaration of conformity (CE):** EMC

Required sales items	
HANSABLUEBOX Bath and shower faucet	8001 0000

HANSAELECTRA **8091 9001**



**Shower faucet
 Trim Kit/Tiptronic/Thermostatic/
 External transformer |
 Concealed wall mounting**

• Software settings adjustable via buttons
 • This item is also available with special programming. For example the duration of possible showering can be preset. For more information please contact our office.

Flow-rate at 3 bar: 13.8 l/min
 Hot water supply: max. +70°C

- Temperature control handle
- Limitation option for maximum temperature and flow-rate
- Safety stop against scalding at 38°C
- Mechanical push button
- Thermostatic cartridge for automatic temperature control
- Non-return valve(s)
- Solenoid valve
- External control unit
- Light indicated function(s)
- Concealed parts: Round rosette | BLUECLICK for an easy, screwless trim plate installation
- Excluded items: Without transformer
- **Automatic flush frequency:** off (off/6/12/18/24/30/36/48/60/72 h)
 - Automatic flush period: 30 s (30/60/90/120/180/240/300/360/480/600 s)
- Max. flow period: 45 s (15/30/45/60/75/90/105/120/135/150 s)
- Operating voltage: 12 V

Accessories: Transformer, 230/12 VDC 1A, 6499 0100; Connection cable, L=10000, 59 912 972
ABP: PA-IX 29283/IBB, **Declaration of conformity (CE):** LVD

Required sales items	
HANSA Electronic parts	59 912 972
HANSA Smart accessory	6499 0100
HANSABLUEBOX Bath and shower faucet	8001 0000

HANSAELECTRA 8191 9001

Shower faucet Trim Kit/Tiptronic/Thermostatic/Battery-operated | Concealed wall mounting

• Software settings adjustable via buttons
Flow-rate at 3 bar: 13.8 l/min
Hot water supply: max. +70°C

• Temperature control handle
• Limitation option for maximum temperature and flow-rate
• Safety stop against scalding at 38°C
• Mechanical push button
• Thermostatic cartridge for automatic temperature control
• Non-return valve(s)
• Solenoid valve
• External control unit
• Light indicated function(s)

• Low battery indicator
• Battery: AA 1.5 V Lithium x 2
• Concealed parts: Round rosette | BLUECLICK for an easy, screwless trim plate installation
• **Automatic flush frequency:** off (off/6/12/18/24/30/36/48/60/72 h)
– Automatic flush period: 30 s (30/60/90/120/180/240/300/360/480/600 s)
• Max. flow period: 45 s (15/30/45/60/75/90/105/120/135/150 s)
• Operating voltage: 3 V

ABP: PA-IX 29283/IBB, **Declaration of conformity (CE):** EMC

Required sales items	
HANSABLUEBOX Bath and shower faucet	8001 0000

HANSAELECTRA 8080 2100

Washbasin faucet Trim Kit/Touchless/External transformer | Concealed wall mounting

• Software settings adjustable via magnetic key
Flow-rate at 3 bar (with flow controller): 4.8 l/min
Hot water supply: max. +70°C

• One inlet for cold or premixed water
• Litter filter(s)
• Autofocus infrared sensor
• Solenoid valve
• External control unit
• Light indicated function(s)
• Concealed parts: Round rosette | BLUECLICK for an easy, screwless trim plate installation
• Excluded items: Without transformer
• **Automatic flush frequency:** off (off/6/12/18/24/30/36/48/60/72 h)

– Automatic flush period: 30 s (30/60/90/120/180/240/300/360/480/600 s)
• Projection: 170 mm
• Aerator type: Standard aerator | PCA® – constant flow rate regardless of pressure variations
• Max. flow period: 60 s (10/30/60/90/120/150/180/210/240/300 s)
• Operating voltage: 12 V

Accessories: Connection cable, L=10000, 59 912 972; Transformer, 230/12 VDC 1A, 6499 0100
ABP: PA-IX 29285/IO, **Declaration of conformity (CE):** LVD

Required sales items	
HANSA Electronic parts	59 912 972
HANSA Smart accessory	6499 0100
HANSABLUEBOX Bath and shower faucet	8001 0000

HANSAELECTRA 8080 2110

Washbasin faucet Trim Kit/Touchless/External transformer | Concealed wall mounting

• Software settings adjustable via magnetic key
Flow-rate at 3 bar (with flow controller): 4.8 l/min
Hot water supply: max. +70°C

• One inlet for cold or premixed water
• Litter filter(s)
• Autofocus infrared sensor
• Solenoid valve
• External control unit
• Light indicated function(s)
• Concealed parts: Round rosette | BLUECLICK for an easy, screwless trim plate installation
• Excluded items: Without transformer

• **Automatic flush frequency:** off (off/6/12/18/24/30/36/48/60/72 h)
– Automatic flush period: 30 s (30/60/90/120/180/240/300/360/480/600 s)
• Projection: 245 mm
• Aerator type: Standard aerator | PCA® – constant flow rate regardless of pressure variations
• Max. flow period: 60 s (10/30/60/90/120/150/180/210/240/300 s)
• Operating voltage: 12 V

Accessories: Transformer, 230/12 VDC 1A, 6499 0100; Connection cable, L=10000, 59 912 972
ABP: PA-IX 29285/IO, **Declaration of conformity (CE):** LVD

Required sales items	
HANSA Electronic parts	59 912 972
HANSA Smart accessory	6499 0100
HANSABLUEBOX Bath and shower faucet	8001 0000

HANSAELECTRA 8080 2120

Washbasin faucet Trim Kit/Touchless/External transformer | Concealed wall mounting

• Software settings adjustable via magnetic key
Flow-rate at 3 bar (with flow controller): 4.8 l/min
Hot water supply: max. +70°C

• One inlet for cold or premixed water
• Litter filter(s)
• Autofocus infrared sensor
• Solenoid valve
• External control unit
• Light indicated function(s)
• Concealed parts: Round rosette | BLUECLICK for an easy, screwless trim plate installation
• Excluded items: Without transformer

• **Automatic flush frequency:** off (off/6/12/18/24/30/36/48/60/72 h)
– Automatic flush period: 30 s (30/60/90/120/180/240/300/360/480/600 s)
• Projection: 310 mm
• Aerator type: Standard aerator | PCA® – constant flow rate regardless of pressure variations
• Max. flow period: 60 s (10/30/60/90/120/150/180/210/240/300 s)
• Operating voltage: 12 V

Accessories: Transformer, 230/12 VDC 1A, 6499 0100; Connection cable, L=10000, 59 912 972
ABP: PA-IX 29285/IO, **Declaration of conformity (CE):** LVD

Required sales items	
HANSA Electronic parts	59 912 972
HANSA Smart accessory	6499 0100
HANSABLUEBOX Bath and shower faucet	8001 0000

		<p>HANSAELECTRA 8081 2111</p> <p>Washbasin faucet Trim Kit/Touchless/ External transformer Concealed wall mounting</p> <ul style="list-style-type: none"> • BLUESWITCH 2-way operated diverter with volume control and stop function • Software settings adjustable via magnetic key <p>Flow-rate at 3 bar (with flow controller): 4.8 l/min Hot water supply: max. +70°C</p>	<p>Chrome</p> <p>EAN 4057304008535</p>						
<ul style="list-style-type: none"> • Flow control handle • Mixing valve for manual temperature control • Non-return valve(s) • Litter filter(s) • Autofocus infrared sensor • Solenoid valve • External control unit • Light indicated function(s) • Concealed parts: Round rosette BLUECLICK for an easy, screwless trim plate installation • Excluded items: Without transformer 	<ul style="list-style-type: none"> • Automatic flush frequency: off (off/6/12/18/24/30/36/48/60/72 h) – Automatic flush period: 30 s (30/60/90/120/180/240/300/360/480/600 s) • Projection: 245 mm • Aerator type: Standard aerator PCA® – constant flow rate regardless of pressure variations • Max. flow period: 60 s (10/30/60/90/120/150/180/210/240/300 s) • Operating voltage: 12 V 	<p>Accessories: Transformer, 230/12 VDC 1A, 6499 0100; Connection cable, L=10000, 59 912 972 ABP: PA-IX 29284/IO, Declaration of conformity (CE): LVD</p>							
<p>Required sales items</p> <table border="1"> <tr> <td>HANSA Electronic parts</td> <td>59 912 972</td> </tr> <tr> <td>HANSA Smart accessory</td> <td>6499 0100</td> </tr> <tr> <td>HANSABLUEBOX Bath and shower faucet</td> <td>8001 0000</td> </tr> </table>		HANSA Electronic parts	59 912 972	HANSA Smart accessory	6499 0100	HANSABLUEBOX Bath and shower faucet	8001 0000		
HANSA Electronic parts	59 912 972								
HANSA Smart accessory	6499 0100								
HANSABLUEBOX Bath and shower faucet	8001 0000								

		<p>HANSAELECTRA 8081 2101</p> <p>Washbasin faucet Trim Kit/Touchless/ External transformer Concealed wall mounting</p> <ul style="list-style-type: none"> • BLUESWITCH 2-way operated diverter with volume control and stop function • Software settings adjustable via magnetic key <p>Flow-rate at 3 bar (with flow controller): 4.8 l/min Hot water supply: max. +70°C</p>	<p>Chrome</p> <p>EAN 4057304008528</p>						
<ul style="list-style-type: none"> • Flow control handle • Mixing valve for manual temperature control • Non-return valve(s) • Litter filter(s) • Autofocus infrared sensor • Solenoid valve • External control unit • Light indicated function(s) • Concealed parts: Round rosette BLUECLICK for an easy, screwless trim plate installation • Excluded items: Without transformer 	<ul style="list-style-type: none"> • Automatic flush frequency: off (off/6/12/18/24/30/36/48/60/72 h) – Automatic flush period: 30 s (30/60/90/120/180/240/300/360/480/600 s) • Projection: 170 mm • Aerator type: Standard aerator PCA® – constant flow rate regardless of pressure variations • Max. flow period: 60 s (10/30/60/90/120/150/180/210/240/300 s) • Operating voltage: 12 V 	<p>Accessories: Transformer, 230/12 VDC 1A, 6499 0100; Connection cable, L=10000, 59 912 972 ABP: PA-IX 29284/IO, Declaration of conformity (CE): LVD</p>							
<p>Required sales items</p> <table border="1"> <tr> <td>HANSA Electronic parts</td> <td>59 912 972</td> </tr> <tr> <td>HANSA Smart accessory</td> <td>6499 0100</td> </tr> <tr> <td>HANSABLUEBOX Bath and shower faucet</td> <td>8001 0000</td> </tr> </table>		HANSA Electronic parts	59 912 972	HANSA Smart accessory	6499 0100	HANSABLUEBOX Bath and shower faucet	8001 0000		
HANSA Electronic parts	59 912 972								
HANSA Smart accessory	6499 0100								
HANSABLUEBOX Bath and shower faucet	8001 0000								

		<p>HANSAELECTRA 8081 2121</p> <p>Washbasin faucet Trim Kit/Touchless/ External transformer Concealed wall mounting</p> <ul style="list-style-type: none"> • BLUESWITCH 2-way operated diverter with volume control and stop function • Software settings adjustable via magnetic key <p>Flow-rate at 3 bar (with flow controller): 4.8 l/min Hot water supply: max. +70°C</p>	<p>Chrome</p> <p>EAN 4057304008542</p>						
<ul style="list-style-type: none"> • Flow control handle • Mixing valve for manual temperature control • Non-return valve(s) • Litter filter(s) • Autofocus infrared sensor • Solenoid valve • External control unit • Light indicated function(s) • Concealed parts: Round rosette BLUECLICK for an easy, screwless trim plate installation • Excluded items: Without transformer 	<ul style="list-style-type: none"> • Automatic flush frequency: off (off/6/12/18/24/30/36/48/60/72 h) – Automatic flush period: 30 s (30/60/90/120/180/240/300/360/480/600 s) • Projection: 310 mm • Aerator type: Standard aerator PCA® – constant flow rate regardless of pressure variations • Max. flow period: 60 s (10/30/60/90/120/150/180/210/240/300 s) • Operating voltage: 12 V 	<p>Accessories: Transformer, 230/12 VDC 1A, 6499 0100; Connection cable, L=10000, 59 912 972 ABP: PA-IX 29284/IO, Declaration of conformity (CE): LVD</p>							
<p>Required sales items</p> <table border="1"> <tr> <td>HANSA Electronic parts</td> <td>59 912 972</td> </tr> <tr> <td>HANSA Smart accessory</td> <td>6499 0100</td> </tr> <tr> <td>HANSABLUEBOX Bath and shower faucet</td> <td>8001 0000</td> </tr> </table>		HANSA Electronic parts	59 912 972	HANSA Smart accessory	6499 0100	HANSABLUEBOX Bath and shower faucet	8001 0000		
HANSA Electronic parts	59 912 972								
HANSA Smart accessory	6499 0100								
HANSABLUEBOX Bath and shower faucet	8001 0000								

	<p>HANSA 6499 0100</p> <p>Smart accessory</p> <p>EAN 4015474273320</p> <ul style="list-style-type: none"> • Operating voltage: 12 V <p>Required sales items</p> <table border="1"> <tr> <td>HANSAELECTRA Urinal flusher</td> <td>0946 9179</td> </tr> <tr> <td>HANSAELECTRA Washbasin faucet</td> <td>6442 1109</td> </tr> <tr> <td>HANSAELECTRA Washbasin faucet</td> <td>6443 2009</td> </tr> </table>	HANSAELECTRA Urinal flusher	0946 9179	HANSAELECTRA Washbasin faucet	6442 1109	HANSAELECTRA Washbasin faucet	6443 2009
HANSAELECTRA Urinal flusher	0946 9179						
HANSAELECTRA Washbasin faucet	6442 1109						
HANSAELECTRA Washbasin faucet	6443 2009						


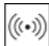
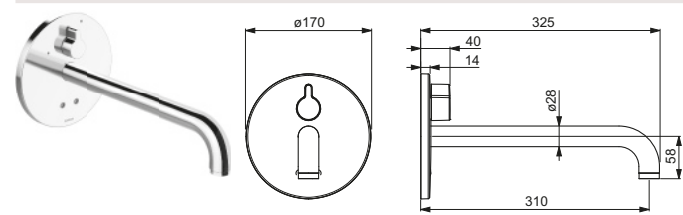
		<p>HANSAELECTRA 8180 2100</p> <p>Washbasin faucet Trim Kit/Touchless/Battery-operated Concealed wall mounting</p> <ul style="list-style-type: none"> • Software settings adjustable via magnetic key <p>Flow-rate at 3 bar (with flow controller): 4.8 l/min Hot water supply: max. +70°C</p>	<p>Chrome</p> <p>EAN 4057304004780</p>		
<ul style="list-style-type: none"> • One inlet for cold or premixed water • Litter filter(s) • Autofocus infrared sensor • Solenoid valve • External control unit • Light indicated function(s) • Low battery indicator • Battery: AA 1.5 V Lithium x 2 • Concealed parts: Round rosette BLUECLICK for an easy, screwless trim plate installation 	<ul style="list-style-type: none"> • Automatic flush frequency: off (off/6/12/18/24/30/36/48/60/72 h) – Automatic flush period: 30 s (30/60/90/120/180/240/300/360/480/600 s) • Projection: 170 mm • Aerator type: Standard aerator PCA® – constant flow rate regardless of pressure variations • Max. flow period: 60 s (10/30/60/90/120/150/180/210/240/300 s) • Operating voltage: 3 V 	<p>Accessories: PA-IX 29285/IO, Declaration of conformity (CE): EMC</p>			
<p>Required sales items</p> <table border="1"> <tr> <td>HANSABLUEBOX Bath and shower faucet</td> <td>8001 0000</td> </tr> </table>		HANSABLUEBOX Bath and shower faucet	8001 0000		
HANSABLUEBOX Bath and shower faucet	8001 0000				

		<p>HANSAELECTRA 8180 2110</p> <p>Washbasin faucet Trim Kit/Touchless/Battery-operated Concealed wall mounting</p> <ul style="list-style-type: none"> • Software settings adjustable via magnetic key <p>Flow-rate at 3 bar (with flow controller): 4.8 l/min Hot water supply: max. +70°C</p>	<p>Chrome</p> <p>EAN 4057304004803</p> <p></p> <ul style="list-style-type: none"> • One inlet for cold or premixed water • Litter filter(s) • Autofocus infrared sensor • Solenoid valve • External control unit • Light indicated function(s) • Low battery indicator • Battery: AA 1.5 V Lithium x 2 • Concealed parts: Round rosette BLUECLICK for an easy, screwless trim plate installation <p>• Automatic flush frequency: off (off/6/12/18/24/30/36/48/60/72 h) – Automatic flush period: 30 s (30/60/90/120/180/240/300/360/480/600 s)</p> <ul style="list-style-type: none"> • Projection: 245 mm • Aerator type: Standard aerator PCA® – constant flow rate regardless of pressure variations • Max. flow period: 60 s (10/30/60/90/120/150/180/210/240/300 s) • Operating voltage: 3 V 		
<p>ABP: PA-IX 29285/IO, Declaration of conformity (CE): EMC</p>		<p>Required sales items</p> <table border="1"> <tr> <td>HANSABLUEBOX Bath and shower faucet</td> <td>8001 0000</td> </tr> </table>		HANSABLUEBOX Bath and shower faucet	8001 0000
HANSABLUEBOX Bath and shower faucet	8001 0000				

		<p>HANSAELECTRA 8180 2120</p> <p>Washbasin faucet Trim Kit/Touchless/Battery-operated Concealed wall mounting</p> <ul style="list-style-type: none"> • Software settings adjustable via magnetic key <p>Flow-rate at 3 bar (with flow controller): 4.8 l/min Hot water supply: max. +70°C</p>	<p>Chrome</p> <p>EAN 4057304004810</p> <p></p> <ul style="list-style-type: none"> • One inlet for cold or premixed water • Litter filter(s) • Autofocus infrared sensor • Solenoid valve • External control unit • Light indicated function(s) • Low battery indicator • Battery: AA 1.5 V Lithium x 2 • Concealed parts: Round rosette BLUECLICK for an easy, screwless trim plate installation <p>• Automatic flush frequency: off (off/6/12/18/24/30/36/48/60/72 h) – Automatic flush period: 30 s (30/60/90/120/180/240/300/360/480/600 s)</p> <ul style="list-style-type: none"> • Projection: 310 mm • Aerator type: Standard aerator PCA® – constant flow rate regardless of pressure variations • Max. flow period: 60 s (10/30/60/90/120/150/180/210/240/300 s) • Operating voltage: 3 V 		
<p>ABP: PA-IX 29285/IO, Declaration of conformity (CE): EMC</p>		<p>Required sales items</p> <table border="1"> <tr> <td>HANSABLUEBOX Bath and shower faucet</td> <td>8001 0000</td> </tr> </table>		HANSABLUEBOX Bath and shower faucet	8001 0000
HANSABLUEBOX Bath and shower faucet	8001 0000				

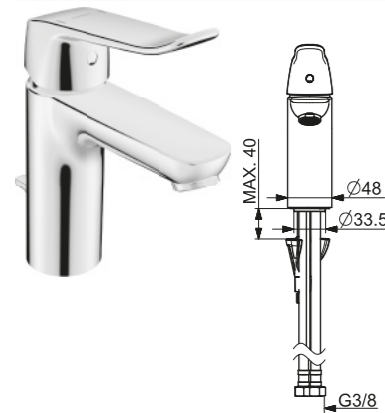
		<p>HANSAELECTRA 8181 2101</p> <p>Washbasin faucet Trim Kit/Touchless/Battery-operated Concealed wall mounting</p> <ul style="list-style-type: none"> • Software settings adjustable via magnetic key <p>Flow-rate at 3 bar (with flow controller): 4.8 l/min Hot water supply: max. +70°C</p>	<p>Chrome</p> <p>EAN 4057304004827</p> <p></p> <ul style="list-style-type: none"> • Flow control handle • Ceramic head part for flow control • Mixing valve for manual temperature control • Non-return valve(s) • Litter filter(s) • Autofocus infrared sensor • Solenoid valve • External control unit • Light indicated function(s) • Low battery indicator • Battery: AA 1.5 V Lithium x 2 • Concealed parts: Round rosette BLUECLICK for an easy, screwless trim plate installation <p>• Automatic flush frequency: off (off/6/12/18/24/30/36/48/60/72 h) – Automatic flush period: 30 s (30/60/90/120/180/240/300/360/480/600 s)</p> <ul style="list-style-type: none"> • Projection: 170 mm • Aerator type: Standard aerator PCA® – constant flow rate regardless of pressure variations • Max. flow period: 60 s (10/30/60/90/120/150/180/210/240/300 s) • Operating voltage: 3 V 		
<p>ABP: PA-IX 29284/IO, Declaration of conformity (CE): EMC</p>		<p>Required sales items</p> <table border="1"> <tr> <td>HANSABLUEBOX Bath and shower faucet</td> <td>8001 0000</td> </tr> </table>		HANSABLUEBOX Bath and shower faucet	8001 0000
HANSABLUEBOX Bath and shower faucet	8001 0000				

		<p>HANSAELECTRA 8181 2111</p> <p>Washbasin faucet Trim Kit/Touchless/Battery-operated Concealed wall mounting</p> <ul style="list-style-type: none"> • Software settings adjustable via magnetic key <p>Flow-rate at 3 bar (with flow controller): 4.8 l/min Hot water supply: max. +70°C</p>	<p>Chrome</p> <p>EAN 4057304004841</p> <p></p> <ul style="list-style-type: none"> • Flow control handle • Ceramic head part for flow control • Mixing valve for manual temperature control • Non-return valve(s) • Litter filter(s) • Autofocus infrared sensor • Solenoid valve • External control unit • Light indicated function(s) • Low battery indicator • Battery: AA 1.5 V Lithium x 2 • Concealed parts: Round rosette BLUECLICK for an easy, screwless trim plate installation <p>• Automatic flush frequency: off (off/6/12/18/24/30/36/48/60/72 h) – Automatic flush period: 30 s (30/60/90/120/180/240/300/360/480/600 s)</p> <ul style="list-style-type: none"> • Projection: 245 mm • Aerator type: Standard aerator PCA® – constant flow rate regardless of pressure variations • Max. flow period: 60 s (10/30/60/90/120/150/180/210/240/300 s) • Operating voltage: 3 V 		
<p>ABP: PA-IX 29284/IO, Declaration of conformity (CE): EMC</p>		<p>Required sales items</p> <table border="1"> <tr> <td>HANSABLUEBOX Bath and shower faucet</td> <td>8001 0000</td> </tr> </table>		HANSABLUEBOX Bath and shower faucet	8001 0000
HANSABLUEBOX Bath and shower faucet	8001 0000				

HANSAELECTRA	8181 2121
Washbasin faucet Trim Kit/Touchless/Battery-operated Concealed wall mounting	
<ul style="list-style-type: none"> • Software settings adjustable via magnetic key 	 
 <p>Flow-rate at 3 bar (with flow controller): 4.8 l/min Hot water supply: max. +70°C</p> <ul style="list-style-type: none"> • Flow control handle • Ceramic head part for flow control • Mixing valve for manual temperature control • Non-return valve(s) • Litter filter(s) • Autofocus infrared sensor • Solenoid valve • External control unit • Light indicated function(s) • Low battery indicator • Battery: AA 1.5 V Lithium x 2 	<ul style="list-style-type: none"> • Concealed parts: Round rosette BLUECLICK for an easy, screwless trim plate installation • Automatic flush frequency: off (off/6/12/18/24/30/36/48/60/72 h) – Automatic flush period: 30 s (30/60/90/120/180/240/300/360/480/600 s) • Projection: 310 mm • Aerator type: Standard aerator PCA® – constant flow rate regardless of pressure variations • Max. flow period: 60 s (10/30/60/90/120/150/180/210/240/300 s) • Operating voltage: 3 V
ABP: PA-IX 29284/IQ, Declaration of conformity (CE): EMC	
Required sales items	
HANSABLUEBOX Bath and shower faucet	8001 0000

HANSA | CARE

WASHBASIN HANSACARE



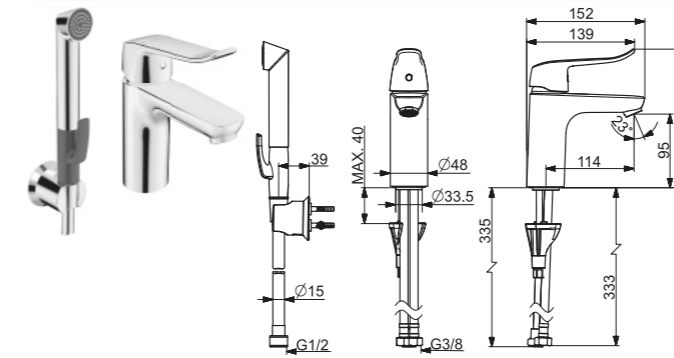
HANSACARE	4601 2206
Washbasin faucet Single-lever Deck mounted (1 hole), DN15	Chrome
<ul style="list-style-type: none"> • Inner body made of DZR brass • 3S-installation system for safe and simple mounting 	EAN 4057304010767
<ul style="list-style-type: none"> • Single operating lever/handle • Long shape • Hot/Cold symbols • Limitation option for maximum temperature and flow-rate • Adjustable hot water stop (retrofitable) • Pop-up waste with draw-rod 	<ul style="list-style-type: none"> • Flexible inlet pipes (G3/8) • Ø 40 mm ceramic cartridge for flow and temperature control • Projection: 114 mm • Fixed spout • Aerator type: Standard aerator PCA® - constant flow rate regardless of pressure variations
Flow-rate at 3 bar (with flow controller): 6 l/min Hot water supply: max. +80°C	
ABP: P-IX 29684/IA	



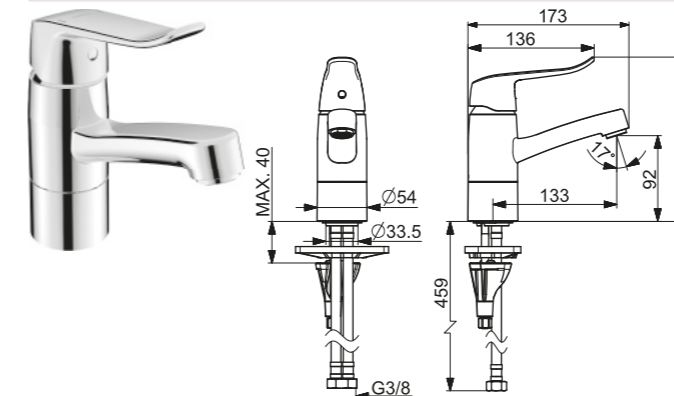
HANSACARE	4602 2206
Washbasin faucet Single-lever Deck mounted (1 hole), DN15	Chrome
<ul style="list-style-type: none"> • Inner body made of DZR brass • 3S-installation system for safe and simple mounting 	EAN 4057304010750
<ul style="list-style-type: none"> • Single operating lever/handle • Long shape • Hot/Cold symbols • Limitation option for maximum temperature and flow-rate • Adjustable hot water stop (retrofitable) • Flexible inlet pipes (G3/8) 	<ul style="list-style-type: none"> • Ø 40 mm ceramic cartridge for flow and temperature control • Excluded items: Without pop-up waste Without draw-rod opening • Projection: 114 mm • Fixed spout • Aerator type: Standard aerator PCA® - constant flow rate regardless of pressure variations
Flow-rate at 3 bar (with flow controller): 6 l/min Hot water supply: max. +80°C	
ABP: P-IX 29684/IA	



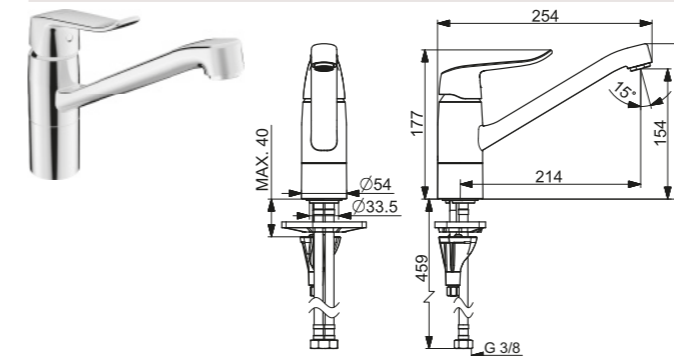
HANSACARE	4602 2286
Washbasin faucet Single-lever Deck mounted (1 hole)	Chrome
<ul style="list-style-type: none"> • Inner body made of DZR brass • 3S-installation system for safe and simple mounting 	EAN 4057304015625
<ul style="list-style-type: none"> • Single operating lever/handle • Loop shape • Long shape • Hot/Cold symbols • Limitation option for maximum temperature and flow-rate • Flexible inlet pipes (G3/8) 	<ul style="list-style-type: none"> • Ø 40 mm ceramic cartridge for flow and temperature control • Projection: 114 mm • Fixed spout • Aerator type: Standard aerator PCA® - constant flow rate regardless of pressure variations
Flow-rate at 3 bar: 10.8 l/min Hot water supply: max. +80°C	




HANSACARE	4628 2206
Washbasin faucet Single-lever/Bidetta Deck mounted (1 hole), DN15	Chrome
<ul style="list-style-type: none"> • Inner body made of DZR brass • 3S-installation system for safe and simple mounting • protected against back-flow in domestic use (according to DIN EN 1717) 	EAN 4057304010774
<ul style="list-style-type: none"> • Single operating lever/handle • Long shape • Hot/Cold symbols • Limitation option for maximum temperature and flow-rate • Flexible inlet pipes (G3/8) • Non-return valve(s) 	<ul style="list-style-type: none"> • Litter filter(s) • Excluded items: Without pop-up waste Without draw-rod opening • Projection: 114 mm • Fixed spout • Aerator type: Standard aerator PCA® - constant flow rate regardless of pressure variations
Flow-rate at 3 bar (with flow controller): 6 l/min Hot water supply: max. +80°C Automatic reset Bidetta hand shower - Shower holder - Shower hose (1500 mm) 1 shower spray: - Sensitive	




HANSACARE	4615 2206
Washbasin faucet Single-lever Deck mounted (1 hole), DN15	Chrome
<ul style="list-style-type: none"> • Inner body made of DZR brass • 3S-installation system for safe and simple mounting 	EAN 4057304010781
<ul style="list-style-type: none"> • Single operating lever/handle • Long shape • Hot/Cold symbols • Limitation option for maximum temperature and flow-rate • Adjustable hot water stop (retrofitable) • Flexible inlet pipes (G3/8) • Ø 40 mm ceramic cartridge for flow and temperature control 	<ul style="list-style-type: none"> • Excluded items: Without pop-up waste Without draw-rod opening • Projection: 133 mm • Spout swivel range: 120° (80° / 40°) • Swivel spout • Swivel range limiting option • Aerator type: Standard aerator PCA® - constant flow rate regardless of pressure variations
Flow-rate at 3 bar (with flow controller): 6 l/min Hot water supply: max. +80°C	
ABP: P-IX 29754/IA	





HANSACARE	4610 2206
Kitchen faucet Single-lever Deck mounted (1 hole), DN15	Chrome
<ul style="list-style-type: none"> • Inner body made of DZR brass • 3S-installation system for safe and simple mounting 	EAN 4057304010804
<ul style="list-style-type: none"> • Single operating lever/handle • Long shape • Hot/Cold symbols • Limitation option for maximum temperature and flow-rate • Adjustable hot water stop (retrofitable) • Flexible inlet pipes (G3/8) • Ø 40 mm ceramic cartridge for flow and temperature control 	<ul style="list-style-type: none"> • Excluded items: Without draw-rod opening Without couplings • Projection: 214 mm • Spout swivel range: 120° (80° / 40°) • Swivel spout • Swivel range limiting option • Aerator type: Standard aerator
Flow-rate at 3 bar: 12 l/min Hot water supply: max. +90°C	
ABP: P-IX 29713/IB	


	HANSAPOLO	5152 2286
	Washbasin faucet Single-lever Deck mounted (1 hole)	Chrome
	EAN 4057304015632 • Rapid installation system Flow-rate at 3 bar (with flow controller): 6 l/min Hot water supply: max. +80°C	
<ul style="list-style-type: none"> • Single operating lever/handle • Loop shape • Hot/Cold symbols • Limitation option for maximum temperature and flow-rate • Chain holder without chain • Flexible inlet pipes (G3/8) 		Backflow prevention (EN1717): AA <ul style="list-style-type: none"> • Ø 35 mm ceramic cartridge for flow and temperature control • Projection: 110 mm • Fixed spout • Aerator type: Standard aerator


HANSAMEDICA

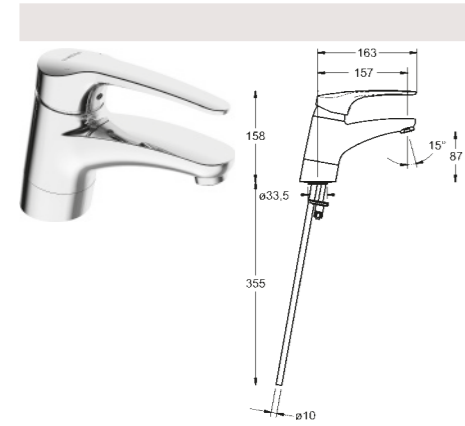
	HANSAMEDICA	0109 2186
	Washbasin faucet Single-lever Deck mounted (1 hole), DN15	Chrome
	EAN 4015474271111 • Inner body made of DZR brass • Waterways without nickel coating • Rapid installation system Flow-rate at 3 bar: 12 l/min Eco-flow at 3 bar: 6 l/min Hot water supply: max. +90°C	
<ul style="list-style-type: none"> • Single operating lever/handle • Long shape • Hot/Cold symbols • Limitation option for maximum temperature and flow-rate • Adjustable hot water stop (retrofittable) • Pop-up waste with draw-rod 		<ul style="list-style-type: none"> • Copper inlet pipes (Ø10) • Ø 48 mm ceramic eco cartridge for flow and temperature control • Projection: 141 mm • Fixed spout • Aerator type: Laminar stream
DVGW: NW-6506BU0493, ABP: P-IX 28486/IA		

	HANSAMEDICA	0104 2186
	Washbasin faucet Single-lever Deck mounted (1 hole), DN15	Chrome
	EAN 4015474271074 • Inner body made of DZR brass • Waterways without nickel coating • Rapid installation system Flow-rate at 3 bar: 12 l/min Eco-flow at 3 bar: 6 l/min Hot water supply: max. +90°C	
<ul style="list-style-type: none"> • Single operating lever/handle • Long shape • Hot/Cold symbols • Limitation option for maximum temperature and flow-rate • Adjustable hot water stop (retrofittable) • Chain holder with chain 		<ul style="list-style-type: none"> • Copper inlet pipes (Ø10) • Ø 48 mm ceramic eco cartridge for flow and temperature control • Excluded items: Without pop-up waste • Projection: 141 mm • Fixed spout • Aerator type: Laminar stream
DVGW: NW-6506BU0493, ABP: P-IX 28486/IA		

	HANSAMEDICA	0108 2186
	Washbasin faucet Single-lever Deck mounted (1 hole), DN15	Chrome
	EAN 4015474271579 • Inner body made of DZR brass • Waterways without nickel coating • Rapid installation system Flow-rate at 3 bar: 12 l/min Eco-flow at 3 bar: 6 l/min Hot water supply: max. +90°C	
<ul style="list-style-type: none"> • Single operating lever/handle • Long shape • Hot/Cold symbols • Limitation option for maximum temperature and flow-rate • Adjustable hot water stop (retrofittable) • Copper inlet pipes (Ø10) 		<ul style="list-style-type: none"> • Ø 48 mm ceramic eco cartridge for flow and temperature control • Excluded items: Without pop-up waste Without draw-rod opening • Projection: 141 mm • Fixed spout • Aerator type: Laminar stream
DVGW: NW-6506BU0493, ABP: P-IX 28486/IA		

	HANSAMEDICA	0113 1186
	Washbasin faucet Single-lever/Low pressure Deck mounted (1 hole), DN15	Chrome
	EAN 4015474271173 • Inner body made of DZR brass • Waterways without nickel coating • Rapid installation system Hot water supply: max. +90°C	
<ul style="list-style-type: none"> • Single operating lever/handle • Long shape • Hot/Cold symbols • Limitation option for maximum temperature and flow-rate • Adjustable hot water stop (retrofittable) • Pop-up waste with draw-rod 		<ul style="list-style-type: none"> • Copper inlet pipes (Ø8) • Ø 48 mm ceramic eco cartridge for flow and temperature control • Projection: 141 mm • Fixed spout • Aerator type: Standard aerator Laminar stream
ABP: P-IX 28547/II		

	HANSAMEDICA	0119 2186
	Washbasin faucet Single-lever Deck mounted (1 hole), DN15	Chrome
	EAN 4015474271586 • Inner body made of DZR brass • Waterways without nickel coating Flow-rate at 3 bar: 12 l/min Eco-flow at 3 bar: 6 l/min Hot water supply: max. +90°C	
<ul style="list-style-type: none"> • Single operating lever/handle • Long shape • Hot/Cold symbols • Limitation option for maximum temperature and flow-rate • Adjustable hot water stop (retrofittable) • Pop-up waste with draw-rod 		<ul style="list-style-type: none"> • Copper inlet pipes (Ø10) • Ø 48 mm ceramic eco cartridge for flow and temperature control • Projection: 157 mm • Spout swivel range: 95° • Swivel spout • Aerator type: Laminar stream
DVGW: NW-6506BU0493		



HANSAMEDICA

0118 2186

**Washbasin faucet
Single-lever |
Deck mounted (1 hole), DN15**

- Inner body made of DZR brass
- Waterways without nickel coating

Flow-rate at 3 bar: 12 l/min
Eco-flow at 3 bar: 6 l/min
Hot water supply: max. +90°C

- Single operating lever/handle
- Long shape
- Hot/Cold symbols
- Limitation option for maximum temperature and flow-rate
- Adjustable hot water stop (retrofitable)
- Copper inlet pipes (Ø10)

Chrome

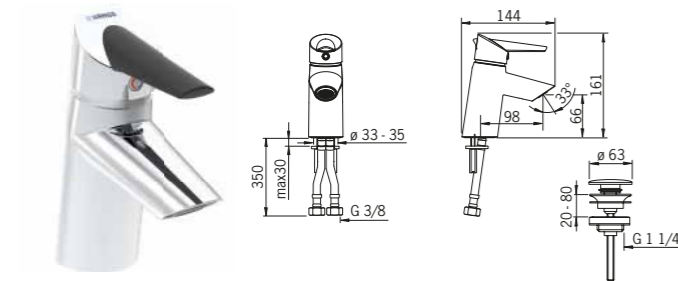
EAN 4015474271203



- Ø 48 mm ceramic eco cartridge for flow and temperature control
- Excluded items: Without pop-up waste | Without draw-rod opening
- Projection: 157 mm
- Spout swivel range: 95°
- Swivel spout
- Aerator type: Laminar stream

DVGW: NW-6506BU0493

HANSAFIT



HANSAFIT

6509 2203

**Washbasin faucet
Single-lever |
Deck mounted (1 hole), DN15**

Flow-rate at 3 bar: 9 l/min
Eco-flow at 3 bar: 4.8 l/min
Hot water supply: max. +80°C
- Eco flow control

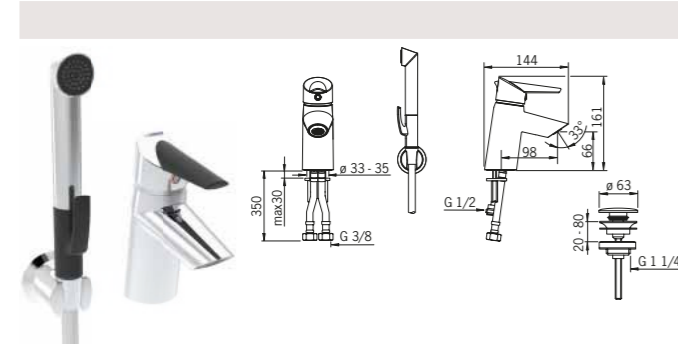
- Single operating lever/handle
- Easy-Grip surface
- Eco feature for water flow
- Hot/Cold symbols
- Limitation option for maximum temperature and flow-rate
- Adjustable hot water stop (retrofitable)

Chrome

EAN 4015474273436

- Push pop-up waste without draw-rod
- Flexible inlet pipes (G3/8)
- Ø 40 mm ceramic cartridge for flow and temperature control
- Projection: 98 mm
- Fixed spout
- Aerator type: Hidden aerator

ABP: P-IX 28781/IO



HANSAFIT

6507 2203

**Washbasin faucet
Single-lever/Bidetta |
Deck mounted (1 hole), DN15**

- Faucet is GGT-approved user test "good"

Flow-rate at 3 bar: 7.2 l/min
Eco-flow at 3 bar: 4.8 l/min
Hot water supply: max. +80°C
Bidetta hand shower
- Shower holder
- Shower hose (1500 mm)

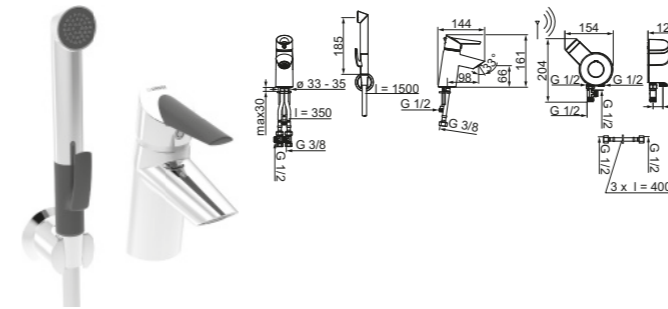
- Single operating lever/handle
- Easy-Grip surface
- Eco feature for water flow
- Hot/Cold symbols
- Push pop-up waste without draw-rod
- Flexible inlet pipes (G3/8)

Chrome

EAN 4015474273504

- **Backflow prevention (EN1717): HC**
- Litter filter(s)
- Projection: 98 mm
- Fixed spout
- Aerator type: Hidden aerator

ABP: P-IX 28782/IOO



HANSAFIT

6507 3203

**Washbasin faucet
Single-lever/Bidetta/Battery-operated |
Deck mounted (1 hole), DN15**

Flow-rate at 3 bar: 7.8 l/min
Eco-flow at 3 bar: 6 l/min
Hot water supply: max. +70°C
Remote-operated Smart Bidetta
- Shower holder
- Shower hose (1500 mm)

Chrome

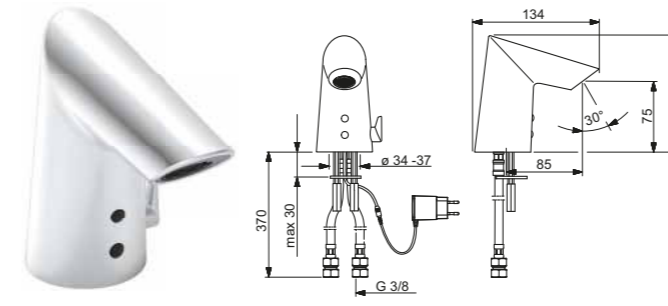
EAN 4015474277618



- Single operating lever/handle
- Temperature control handle
- Easy-Grip surface
- Eco feature for water flow
- Hot/Cold symbols
- Safety stop against scalding at 38°C
- Flexible inlet pipes (G3/8)
- **Backflow prevention (EN1717): EB**
- Thermostatic cartridge for automatic temperature control
- Non-return valve(s)

- Litter filter(s)
- External control unit
- Battery: AA 1.5 V Lithium x 2, CR 2450 3 V
- Excluded items: Without pop-up waste | Without draw-rod opening
- Projection: 98 mm
- Fixed spout
- Aerator type: Hidden aerator
- Max. flow period: 2 min
- Operating voltage: 3 V

Declaration of conformity (CE): EMC



HANSAFIT

6541 2009

**Washbasin faucet
Touchless/Plug transformer/
Bluetooth® |
Deck mounted (1 hole), DN15**

Flow-rate at 3 bar (with flow controller): 4.8 l/min
Hot water supply: max. +70°C

Chrome

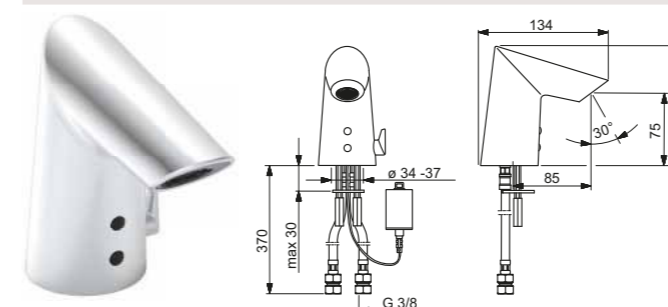
EAN 4057304014154



- Software settings adjustable via App
- Temperature control handle
- Adjustable hot water stop (retrofitable)
- Flexible inlet pipes (G3/8)
- **Backflow prevention (EN1717): AA**
- Mixing valve for manual temperature control
- Non-return valve(s)
- Litter filter(s)
- Autofocus infrared sensor
- Solenoid valve
- Power supply

- Excluded items: Without pop-up waste | Without draw-rod opening
- **Automatic flush frequency:** off (off/1-120 h)
- Automatic flush period: 30 s (1-1800 s)
- Projection: 85 mm
- Fixed spout
- Casted construction
- Aerator type: Hidden aerator
- Max. flow period: 2 min (1 - 1800 s)
- Operating voltage: 9/12 V

Declaration of conformity (CE): RED



HANSAFIT

6541 2219

**Washbasin faucet
Touchless/Battery-operated/
Bluetooth® |
Deck mounted (1 hole), DN15**

Flow-rate at 3 bar (with flow controller): 4.8 l/min
Hot water supply: max. +70°C

Chrome

EAN 4057304014147

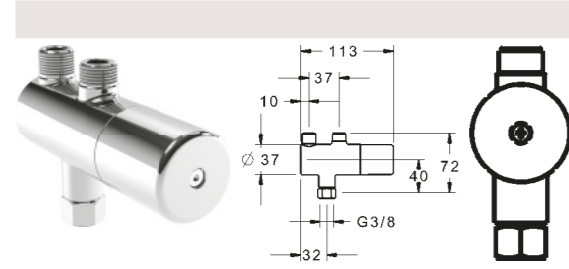



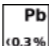
- Software settings adjustable via App
- Faucet is GGT-approved user test GOOD
- Temperature control handle
- Adjustable hot water stop (retrofitable)
- Flexible inlet pipes (G3/8)
- **Backflow prevention (EN1717): AA**
- Mixing valve for manual temperature control
- Non-return valve(s)
- Litter filter(s)
- Autofocus infrared sensor
- Solenoid valve
- Low battery indicator
- Battery: Lithium 2CR5 6 V

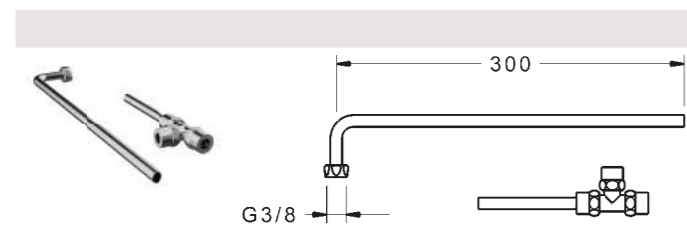
- Excluded items: Without pop-up waste | Without draw-rod opening
- **Automatic flush frequency:** off (off/1-120 h)
- Automatic flush period: 30 s (1-1800 s)
- Projection: 85 mm
- Fixed spout
- Casted construction
- Aerator type: Hidden aerator
- Max. flow period: 2 min (1 - 1800 s)
- Operating voltage: 6 V

Declaration of conformity (CE): RED

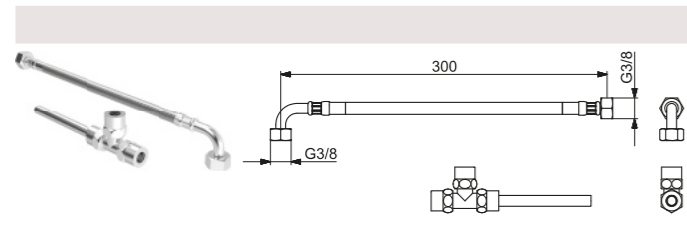
HANSAMINIMAT Safety thermostat



HANSAMINIMAT	6341 0020
Other products	Chrome
Thermostatic	EAN 4015474275270
<ul style="list-style-type: none"> • Inner body made of DZR brass • Surfaces in contact with drinking water contain less than 0.3% lead • Waterways without nickel coating • Thermal disinfection without cartridge readjustment 	 
Flow-rate at 3 bar: 12.6 l/min Hot water supply: max. +90°C	
<ul style="list-style-type: none"> • Temperature control handle (G3/8) • Thermostatic cartridge for automatic temperature control 	<ul style="list-style-type: none"> • Non-return valve(s) • Litter filter(s) • Excluded items: Without couplings
Accessories: Pipe, 6638 0100; Coupling pipe, 6639 0200 DVGW: NW-6509CL0481, ABP: P-IX 28624/I	



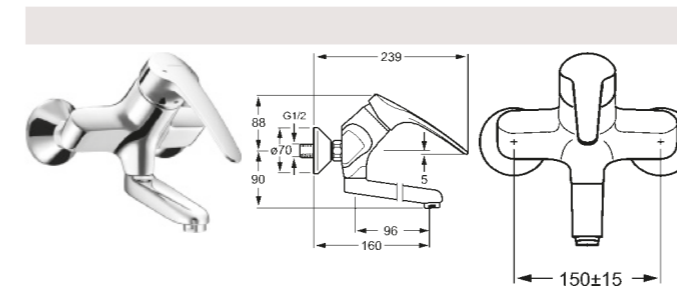
HANSAMINIMAT	6638 0100
Other accessories	Chrome
<ul style="list-style-type: none"> • T-piece 	EAN 4015474277977
Hot water supply: max. +90°C	
<ul style="list-style-type: none"> • Copper inlet pipes (G3/8) 	




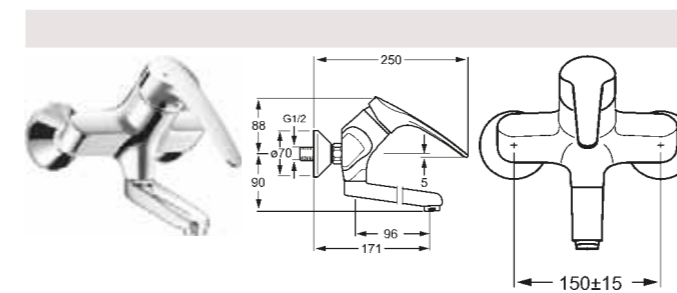
HANSAMINIMAT	6639 0200
Other accessories	Chrome
<ul style="list-style-type: none"> • T-piece 	EAN 4015474277984
Hot water supply: max. +80°C	
<ul style="list-style-type: none"> • Flexible inlet pipes (G3/8) 	


WASHBASIN - Wall mounted

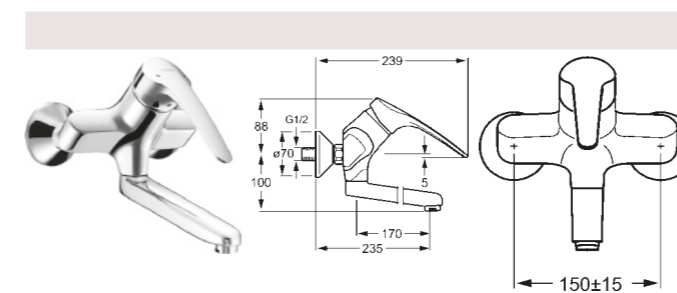
HANSAMEDICA




HANSAMEDICA	0196 8176
Washbasin faucet	Chrome
Single-lever	EAN 4015474079410
Wall mounted, DN15	
<ul style="list-style-type: none"> • Inner body made of DZR brass • Waterways without nickel coating 	
Flow-rate at 3 bar: 12 l/min Eco-flow at 3 bar: 6 l/min Hot water supply: max. +90°C	
<ul style="list-style-type: none"> • Single operating lever/handle • Long shape • Hot/Cold symbols • Limitation option for maximum temperature and flow-rate • Adjustable hot water stop (retrofitable) • Eccentric coupling(s) Silencer(s) 	<ul style="list-style-type: none"> • Ø 48 mm ceramic eco cartridge for flow and temperature control • Projection: 160 mm • Spout swivel range: 120° • Swivel spout • Lockable in the middle position • Aerator type: Laminar stream
DVGW: NW-6506BU0493, ABP: PA-IX 29302/IA	



HANSAMEDICA	0196 8276
Washbasin faucet	Chrome
Single-lever	EAN 4015474080140
Wall mounted, DN15	
<ul style="list-style-type: none"> • Inner body made of DZR brass • Waterways without nickel coating 	
Flow-rate at 3 bar: 12 l/min Eco-flow at 3 bar: 6 l/min Hot water supply: max. +90°C	
<ul style="list-style-type: none"> • Single operating lever/handle • Long shape • Hot/Cold symbols • Limitation option for maximum temperature and flow-rate • Adjustable hot water stop (retrofitable) • Eccentric coupling(s) with integrated shut-off valve(s) Silencer(s) 	<ul style="list-style-type: none"> • Ø 48 mm ceramic eco cartridge for flow and temperature control • Projection: 171 mm • Spout swivel range: 120° • Swivel spout • Lockable in the middle position • Aerator type: Laminar stream
DVGW: NW-6506BU0493, ABP: PA-IX 29302/IA	



HANSAMEDICA	0194 8176
Washbasin faucet	Chrome
Single-lever	EAN 4015474078574
Wall mounted, DN15	
<ul style="list-style-type: none"> • Inner body made of DZR brass • Waterways without nickel coating 	
Flow-rate at 3 bar: 12 l/min Eco-flow at 3 bar: 6 l/min Hot water supply: max. +90°C	
<ul style="list-style-type: none"> • Single operating lever/handle • Long shape • Hot/Cold symbols • Limitation option for maximum temperature and flow-rate • Adjustable hot water stop (retrofitable) • Eccentric coupling(s) Silencer(s) 	<ul style="list-style-type: none"> • Ø 48 mm ceramic eco cartridge for flow and temperature control • Projection: 235 mm • Spout swivel range: 120° • Swivel spout • Lockable in the middle position • Aerator type: Laminar stream
DVGW: NW-6506BU0493, ABP: PA-IX 29302/IA	

	HANSAMEDICA Washbasin faucet Single-lever Wall mounted, DN15	0194 8276 Chrome EAN 4015474078710
	<ul style="list-style-type: none"> • Inner body made of DZR brass • Waterways without nickel coating Flow-rate at 3 bar: 12 l/min Eco-flow at 3 bar: 6 l/min Hot water supply: max. +90°C	<ul style="list-style-type: none"> • Single operating lever/handle • Long shape • Hot/Cold symbols • Limitation option for maximum temperature and flow-rate • Adjustable hot water stop (retrofittable) • Eccentric coupling(s) with integrated shut-off valve(s) Silencer(s)

DVGW: NW-6506BU0493, ABP: PA-IX 29302/IA

	HANSAMEDICA Washbasin faucet Single-lever Wall mounted, DN15	0169 2176 Chrome EAN 4015474080195
	<ul style="list-style-type: none"> • Inner body made of DZR brass • Waterways without nickel coating Flow-rate at 3 bar: 12 l/min Eco-flow at 3 bar: 6 l/min Hot water supply: max. +90°C	<ul style="list-style-type: none"> • Single operating lever/handle • Long shape • Hot/Cold symbols • Limitation option for maximum temperature and flow-rate • Adjustable hot water stop (retrofittable) • Eccentric coupling(s) Silencer(s)

DVGW: NW-6506BU0493, ABP: PA-IX 29302/IA

	HANSAMEDICA Washbasin faucet Single-lever Wall mounted, DN15	0169 2276 Chrome EAN 4015474080225
	<ul style="list-style-type: none"> • Inner body made of DZR brass • Waterways without nickel coating Flow-rate at 3 bar: 12 l/min Eco-flow at 3 bar: 6 l/min Hot water supply: max. +90°C	<ul style="list-style-type: none"> • Single operating lever/handle • Long shape • Hot/Cold symbols • Limitation option for maximum temperature and flow-rate • Adjustable hot water stop (retrofittable) • Eccentric coupling(s) with integrated shut-off valve(s) Silencer(s)

DVGW: NW-6506BU0493, ABP: PA-IX 29302/IA

OVERVIEW - Bathtub&Shower solutions

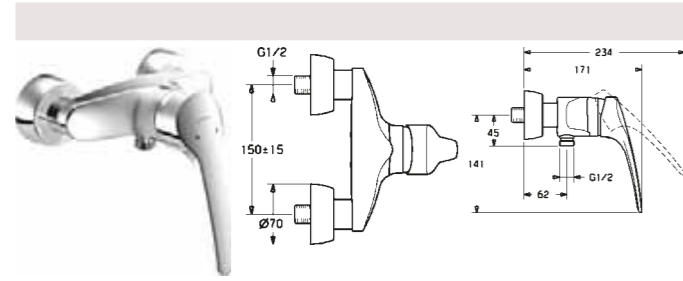
HANSACARE

	HANSACARE Bath and shower faucet Thermostatic Wall mounted	0871 7100 Chrome EAN 4057304013454
	<ul style="list-style-type: none"> • Inner body made of DZR brass • Retrofit safety lock against scalding. Limiter adjustable between 38°-42°C during mounting. Flow-rate at 3 bar: 24.18 / 15 l/min Hot water supply: max. +90°C Integrated into flow control handle	<ul style="list-style-type: none"> • Temperature control handle • Flow control handle • Eco feature for water flow • Adjustable hot water stop (retrofittable) • Safety stop against scalding at 38°C • The housing of the fittings conducts minimal heat • Eccentric coupling(s) Cover plate(s) Cover plate triple sealed (G1/2)

	HANSACARE Shower faucet Thermostatic Wall mounted	0870 7100 Chrome EAN 4057304013447
	<ul style="list-style-type: none"> • Inner body made of DZR brass • Retrofit safety lock against scalding. Limiter adjustable between 38°-42°C during mounting. Flow-rate at 3 bar: 15.6 l/min Hot water supply: max. +90°C	<ul style="list-style-type: none"> • Temperature control handle • Flow control handle • Eco feature for water flow • Adjustable hot water stop (retrofittable) • Safety stop against scalding at 38°C • The housing of the fittings conducts minimal heat

	HANSACARE Shower faucet Thermostatic Wall mounted	0870 7100 Chrome EAN 4057304013447
	<ul style="list-style-type: none"> • Inner body made of DZR brass • Retrofit safety lock against scalding. Limiter adjustable between 38°-42°C during mounting. Flow-rate at 3 bar: 15.6 l/min Hot water supply: max. +90°C	<ul style="list-style-type: none"> • Temperature control handle • Flow control handle • Eco feature for water flow • Adjustable hot water stop (retrofittable) • Safety stop against scalding at 38°C • The housing of the fittings conducts minimal heat

HANSAMEDICA



HANSAMEDICA **0167 0176**
Shower faucet
Single-lever |
Wall mounted, DN15

- Inner body made of DZR brass
- protected against back-flow in domestic use (according to DIN EN 1717)

Flow-rate at 3 bar: 19.2 l/min
 Eco-flow at 3 bar: 9.6 l/min
 Hot water supply: max. +90°C

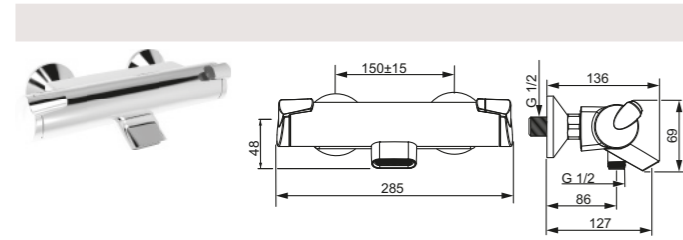
- Single operating lever/handle
- Long shape
- Hot/Cold symbols
- Limitation option for maximum temperature and flow-rate

- Adjustable hot water stop (retrofittable)
- Eccentric coupling(s) | Cover plate(s) | Silencer(s)
- Ø 48 mm ceramic eco cartridge for flow and temperature control
- Non-return valve(s)

DVGW: NW-6506BU0493

Chrome
 EAN 4015474077430

HANSAFIT



HANSAFIT **6513 2101**
Bath and shower faucet
Thermostatic |
Wall mounted, DN15

- Torrent water flow, protected against back-flow in domestic use (according to DIN EN 1717); Faucet is GGT-approved - user test "good"

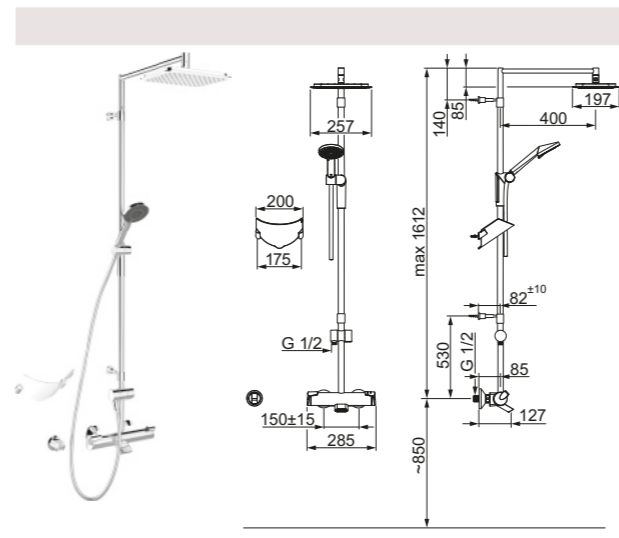
Flow-rate at 3 bar: 20.4 / 13.2 l/min
 Hot water supply: max. +80°C
 Turn operated diverter
 Integrated into flow control handle
 - Eco flow control

- Temperature control handle
- Flow control handle
- Easy-Grip surface
- Limitation option for maximum temperature and flow-rate
- Safety stop against scalding at 38°C
- Temperature preset fixable
- Eccentric coupling(s)

- Thermostatic cartridge for automatic temperature control
- Litter filter(s)
- Concealed parts: Fastening of the function unit with screws
- Projection: 127 mm
- Fixed spout

ABP: PA-IX 28785/IOB

Chrome
 EAN 4015474273405



HANSAFIT **6516 2101**
Rain shower faucet
Thermostatic |
Wall mounted, DN15 |
1612 mm

- Flexible length / can be shortened
- Torrent water flow, protected against back-flow in domestic use (according to DIN EN 1717)

Flow-rate at 3 bar: 16.2 l/min
 Hot water supply: max. +65°C
 Shower head size: 257 x 197 mm
 Turn operated diverter
 Integrated into flow control handle

- Hand shower
- Shower rail
- Overhead shower
- Adjustable shower rail bracket
- Soap dish
- Shower holder
- Shower hose (1500 mm)
- Eco flow control
- Rotatable ball joint connection
- Anti limescale technology (easy to clean)

Hand shower size: Ø 94 mm
 3 shower sprays:
 - Normal | Rain | Sensitive

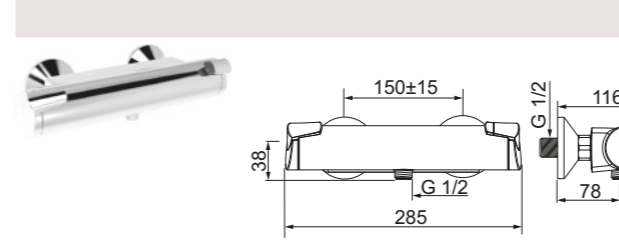
- Temperature control handle
- Flow control handle
- Safety stop against scalding at 38°C
- The housing of the fittings conducts minimal heat
- Eccentric coupling(s) (G1/2)

- Thermostatic cartridge for automatic temperature control
- Fixing Set
- Non-return valve(s)
- Litter filter(s)
- Projection: 485 mm
- Fixed spout

Backflow prevention (EN1717): EB

ABP: PA-IX 28787/IOO0

Chrome
 EAN 4015474277229



HANSAFIT **6514 0101**
Shower faucet
Thermostatic |
Wall mounted, DN15

- protected against back-flow in domestic use (according to DIN EN 1717)

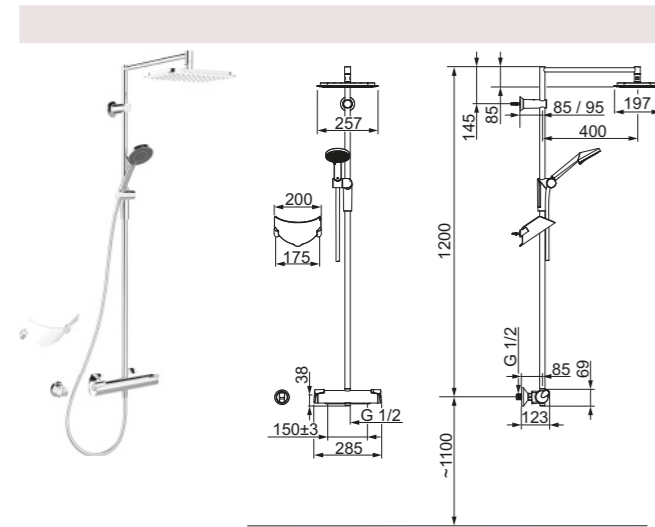
Flow-rate at 3 bar: 16.2 l/min
 Eco-flow at 3 bar: 12.6 l/min
 Hot water supply: max. +80°C

- Temperature control handle
- Flow control handle
- Easy-Grip surface
- Limitation option for maximum temperature and flow-rate
- Safety stop against scalding at 38°C

- The housing of the fittings conducts minimal heat
- Eccentric coupling(s)
- Ceramic head part for flow control
- Thermostatic cartridge for automatic temperature control
- Litter filter(s)

ABP: PA-IX 28784/IA

Chrome
 EAN 4015474273399



HANSAFIT

6515 9101

**Rain shower faucet
Thermostatic |
Wall mounted, DN15 |
1200 mm**

Chrome

EAN 4015474277212



- Flexible length / can be shortened
- protected against back-flow in domestic use (according to DIN EN 1717)

Flow-rate at 3 bar: 16.2 l/min
Hot water supply: max. +65°C
Shower head size: 257 x 197 mm
Turn operated diverter
Integrated into flow control handle
- Hand shower
- Shower rail
- Overhead shower
- Adjustable shower rail bracket
- Soap dish
- Shower hose (1500 mm)
- Eco flow control
- Rotatable ball joint connection
- Anti limescale technology (easy to clean)
Hand shower size: Ø 94 mm
3 shower sprays:
- Normal | Rain | Sensitive

- Temperature control handle
- Flow control handle
- Safety stop against scalding at 38°C
- The housing of the fittings conducts minimal heat
- Eccentric coupling(s) (G1/2)

Backflow prevention (EN1717): EB

ABP: PA-IX 28786/100

- Thermostatic cartridge for automatic temperature control
- Fixing Set
- Non-return valve(s)
- Litter filter(s)
- Projection: 485 mm

HANSAMEDIJET



HANSAMEDIJET

0416 0170

Hand shower

Chrome

EAN 4015474263741



Flow-rate at 3 bar: 12 l/min
Hot water supply: max. +65°C
- Anti limescale technology (easy to clean)
Hand shower size: Ø 100 mm
1 shower spray:
- Low aerosol

- (G1/2)

- Litter filter(s)

ABP: P-IX 28543/IA



HANSAMEDIPRO

0412 0473

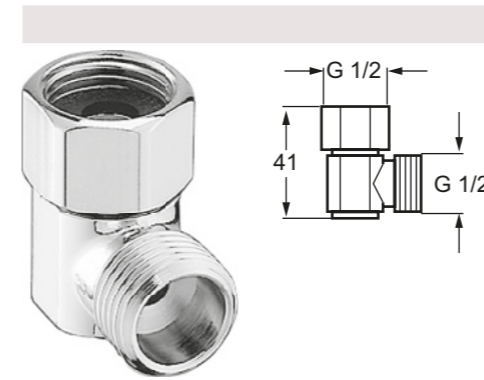
**Shower hose
1250 mm**

Chrome

EAN 4015474255029

- Shower hose (1250 mm)
- Twist guard for shower hose

- (G1/2)



HANSA

0405 0100

**Other accessories
DN15**

Chrome

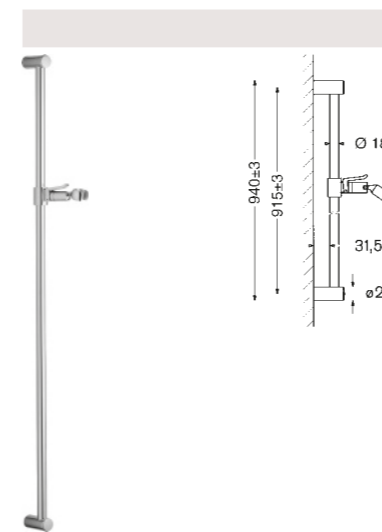
EAN 4015474036888



Hot water supply: max. +90°C

- (G1/2)

Backflow prevention (EN1717): HD



HANSA

0448 0100

**Shower rail
Wall mounted |
915 mm**

Chrome

EAN 4015474031470



- Flexible length / can be shortened

- Adjustable shower rail bracket
- Rotatable ball joint connection Diameter: 18 mm

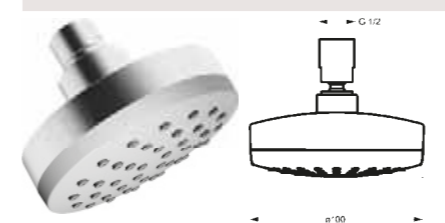
HANSAMEDIJET

4429 0170

**Overhead shower
DN15**

Chrome

EAN 4015474268456

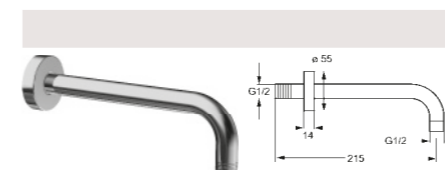


Flow-rate at 3 bar: 12 l/min
Hot water supply: max. +65°C
Shower head size: Ø 100 mm

- Overhead shower
- Eco flow control
- Rotatable ball joint connection
- Anti limescale technology (easy to clean)

- (G1/2)

- Litter filter(s)



HANSAJET

0411 0200

**Overhead shower
Wall mounted**

Chrome

EAN 4015474269354


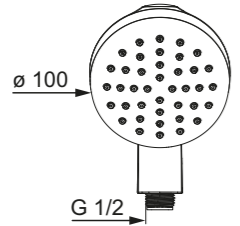
Diameter: 21 mm


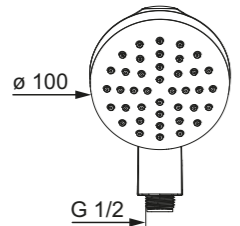
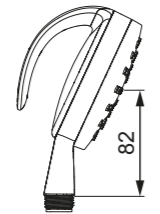
- (G1/2 x G1/2)
- Concealed parts: Round rosette

- Projection: 200 mm


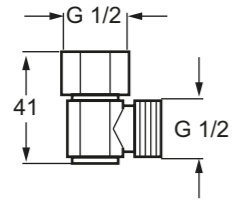
Accessories: Body for shower set, 4404 0100

HANSAMEDIPRO FLEX


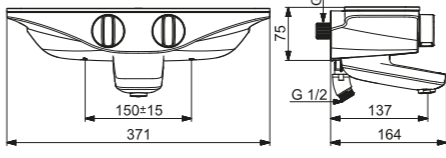
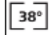
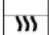
			HANSAMEDIPRO FLEX	4428 0170
			Hand shower	Chrome
			Flow-rate at 3 bar: 12 l/min Hot water supply: max. +65°C - Anti limescale technology (easy to clean) Hand shower size: Ø 100 mm 1 shower spray: - Low aerosol	EAN 4015474268449
			• (G1/2)	• Litter filter(s)
			ABP: P-IX 28552/IIIA	

			HANSAMEDIPRO FLEX	4428 0180
			Hand shower	White
			• Disinfection proof (max. +95°C) Flow-rate at 3 bar: 12 l/min Hot water supply: max. +65°C - Anti limescale technology (easy to clean) Hand shower size: Ø 100 mm 1 shower spray: - Low aerosol	EAN 4057304003912
			• (G1/2)	• Litter filter(s)


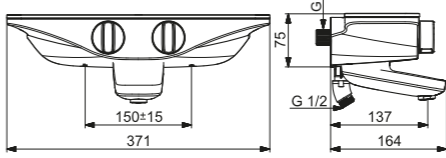
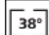
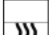
	HANSAMEDIPRO	0412 0473
	Shower hose	Chrome
	Shower hose (1250 mm) - Twist guard for shower hose	EAN 4015474255029
	• (G1/2)	

		HANSA	0405 0100
		Other accessories	Chrome
		Hot water supply: max. +90°C	EAN 4015474036888
		• (G1/2)	Backflow prevention (EN1717): HD


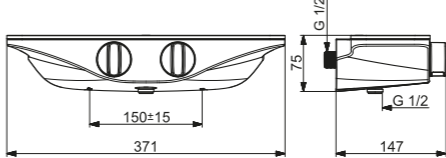
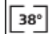
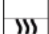
HANSAEMOTION Exposed thermostat

		HANSAEMOTION	5864 2171 84
		Bath and shower faucet	Chrome/Grey
		Thermostatic Wall mounted, DN15	EAN 4057304008726
		• Safety glass • protected against back-flow in domestic use (according to DIN EN 1717)	 
		Flow-rate at 3 bar: 16.8 / 13.8 l/min Hot water supply: max. +80°C Turn operated diverter Integrated into flow control handle	

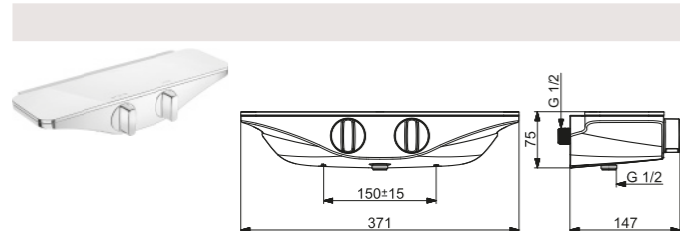
		• Temperature control handle • Flow control handle • Safety stop against scalding at 38°C • The housing of the fittings conducts minimal heat • Ball eccentric coupling(s) (G1/2)	Backflow prevention (EN1717): EB • Thermostatic cartridge for automatic temperature control • Projection: 137 mm • Aerator type: Standard aerator
--	--	---	---

		HANSAEMOTION	5864 2171 82
		Bath and shower faucet	Chrome/White
		Thermostatic Wall mounted, DN15	EAN 4057304008733
		• Safety glass • protected against back-flow in domestic use (according to DIN EN 1717)	 
		Flow-rate at 3 bar: 16.8 / 13.8 l/min Hot water supply: max. +80°C Turn operated diverter Integrated into flow control handle	

		• Temperature control handle • Flow control handle • Safety stop against scalding at 38°C • The housing of the fittings conducts minimal heat • Ball eccentric coupling(s) (G1/2)	Backflow prevention (EN1717): EB • Thermostatic cartridge for automatic temperature control • Projection: 137 mm • Aerator type: Standard aerator
--	--	---	---

		HANSAEMOTION	5863 0171 84
		Shower faucet	Chrome/Grey
		Thermostatic Wall mounted, DN15	EAN 4057304008696
		• Safety glass • protected against back-flow in domestic use (according to DIN EN 1717)	 
		Flow-rate at 3 bar: 13.8 l/min Hot water supply: max. +80°C	

		• Temperature control handle • Flow control handle • Safety stop against scalding at 38°C • The housing of the fittings conducts minimal heat	• Ball eccentric coupling(s) (G1/2) Backflow prevention (EN1717): EB • Thermostatic cartridge for automatic temperature control
--	--	--	--



HANSAEMOTION 5863 0171 82
Shower faucet
Thermostatic |
Wall mounted, DN15

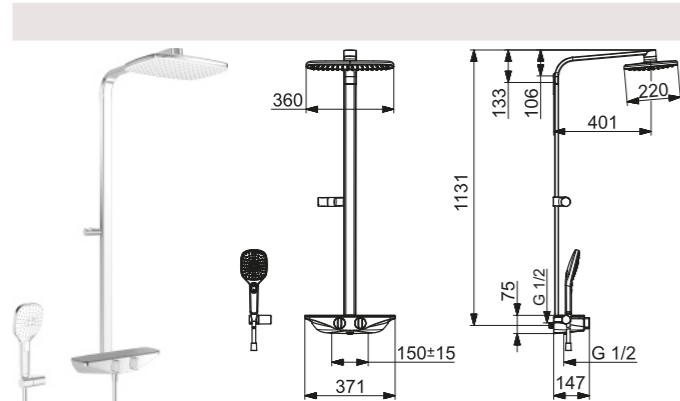
- Safety glass
- protected against back-flow in domestic use (according to DIN EN 1717)

Flow-rate at 3 bar: 13.8 l/min
 Hot water supply: max. +80°C

- Temperature control handle
- Flow control handle
- Safety stop against scalding at 38°C
- The housing of the fittings conducts minimal heat

- Ball eccentric coupling(s) (G1/2)
- **Backflow prevention (EN1717): EB**
- Thermostatic cartridge for automatic temperature control

HANSAEMOTION Showersystem



HANSAEMOTION 5865 0171 84
Rain shower faucet
Thermostatic |
Wall mounted, DN15

- Safety glass
- BLUESWITCH 2-way operated diverter with volume control and stop function
- protected against back-flow in domestic use (according to DIN EN 1717)

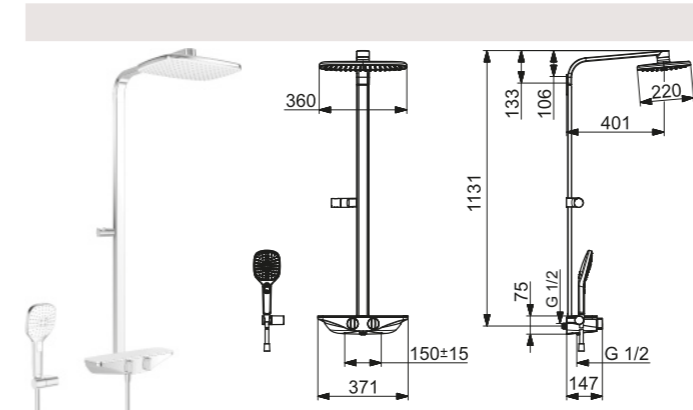
Flow-rate at 3 bar: 13.8 l/min
 Hot water supply: max. +80°C
 Turn operated diverter
 Integrated into flow control handle

- Hand shower
- Overhead shower
- Shower holder
- Shower hose (1750 mm)
- Rotatable ball joint connection
- Anti limescale technology (easy to clean)

3 shower sprays:
 - Pulsating | Intense | Sensitive

- Temperature control handle
- Flow control handle
- Safety stop against scalding at 38°C
- The housing of the fittings conducts minimal heat

- Ball eccentric coupling(s) (G1/2)
- **Backflow prevention (EN1717): EB**
- Thermostatic cartridge for automatic temperature control
- Non-return valve(s)



HANSAEMOTION 5865 0171 82
Rain shower faucet
Thermostatic |
Wall mounted, DN15

- Safety glass
- BLUESWITCH 2-way operated diverter with volume control and stop function
- protected against back-flow in domestic use (according to DIN EN 1717)

Flow-rate at 3 bar: 13.8 l/min
 Hot water supply: max. +80°C
 Turn operated diverter
 Integrated into flow control handle

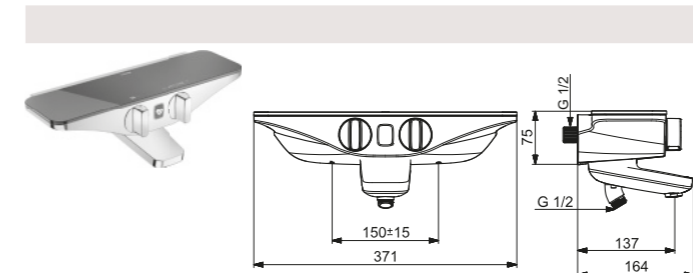
- Hand shower
- Overhead shower
- Shower holder
- Shower hose (1750 mm)
- Rotatable ball joint connection

3 shower sprays:
 - Pulsating | Intense | Sensitive

- Temperature control handle
- Flow control handle
- Safety stop against scalding at 38°C
- The housing of the fittings conducts minimal heat

- Ball eccentric coupling(s) (G1/2)
- **Backflow prevention (EN1717): EB**
- Thermostatic cartridge for automatic temperature control
- Non-return valve(s)

HANSAEMOTION Wellfit Thermostat



HANSAEMOTION WELLFIT 5864 2172 84
Bath and shower faucet
Thermostatic/Battery-operated/Bluetooth® |
Wall mounted, DN15

- Safety glass
- Software settings adjustable via App
- protected against back-flow in domestic use (according to DIN EN 1717)

Flow-rate at 3 bar: 16.8 / 12 l/min
 Hot water supply: max. +70°C
 Turn operated diverter
 Integrated into flow control handle

- Temperature control handle
- Flow control handle
- Safety stop against scalding at 38°C
- The housing of the fittings conducts minimal heat
- Ball eccentric coupling(s) (G1/2)

Backflow prevention (EN1717): EB
Declaration of conformity (CE): RED

- Thermostatic cartridge for automatic temperature control
- Battery: AA 1.5 V Lithium x 4
- Projection: 137 mm
- Aerator type: Standard aerator
- Operating voltage: 6 V

HANSAEMOTION WELLFIT 5864 2172 82

Bath and shower faucet
Thermostatic/Battery-operated/Bluetooth®
Wall mounted, DN15

- Safety glass
- Software settings adjustable via App
- protected against back-flow in domestic use (according to DIN EN 1717)

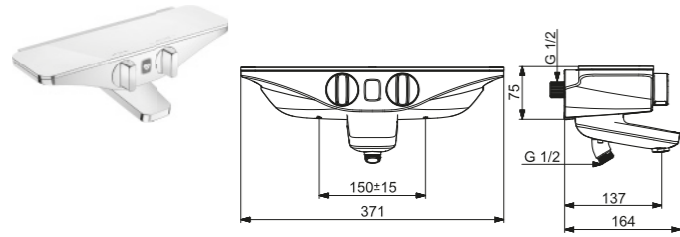
Flow-rate at 3 bar: 16.8 / 12 l/min
 Hot water supply: max. +70°C
 Turn operated diverter
 Integrated into flow control handle

- Temperature control handle
- Flow control handle
- Safety stop against scalding at 38°C
- The housing of the fittings conducts minimal heat
- Ball eccentric coupling(s) (G1/2)

Backflow prevention (EN1717): EB
Declaration of conformity (CE): RED

Chrome/White

EAN 4057304008771



HANSAEMOTION WELLFIT 5863 0172 84

Shower faucet
Thermostatic/Battery-operated/Bluetooth®
Wall mounted, DN15

- Safety glass
- Software settings adjustable via App
- protected against back-flow in domestic use (according to DIN EN 1717)

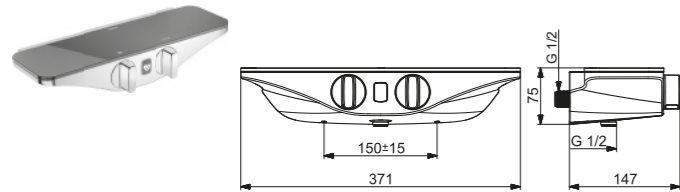
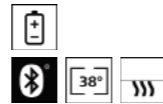
Flow-rate at 3 bar: 12 l/min
 Hot water supply: max. +70°C

- Temperature control handle
- Flow control handle
- Safety stop against scalding at 38°C
- The housing of the fittings conducts minimal heat
- Ball eccentric coupling(s) (G1/2)

Backflow prevention (EN1717): EB
Declaration of conformity (CE): RED

Chrome/Grey

EAN 4057304008740



HANSAEMOTION WELLFIT 5863 0172 82

Shower faucet
Thermostatic/Battery-operated/Bluetooth®
Wall mounted, DN15

- Safety glass
- Software settings adjustable via App
- protected against back-flow in domestic use (according to DIN EN 1717)

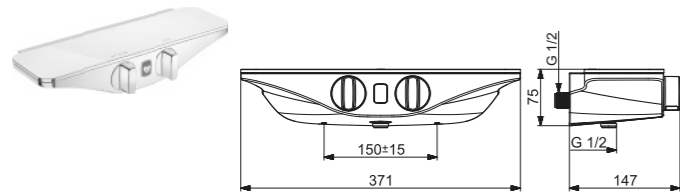
Flow-rate at 3 bar: 12 l/min
 Hot water supply: max. +70°C

- Temperature control handle
- Flow control handle
- Safety stop against scalding at 38°C
- The housing of the fittings conducts minimal heat
- Ball eccentric coupling(s) (G1/2)

Backflow prevention (EN1717): EB
Declaration of conformity (CE): RED

Chrome/White

EAN 4057304008757



HANSAEMOTION Wellfit Showersystem

HANSAEMOTION WELLFIT 5865 0172 84

Rain shower faucet
Thermostatic/Battery-operated/Bluetooth®
Wall mounted, DN15

- Safety glass
- BLUESWITCH 2-way operated diverter with volume control and stop function
- Software settings adjustable via App
- protected against back-flow in domestic use (according to DIN EN 1717)

Flow-rate at 3 bar: 12 l/min
 Hot water supply: max. +70°C
 Turn operated diverter
 Integrated into flow control handle

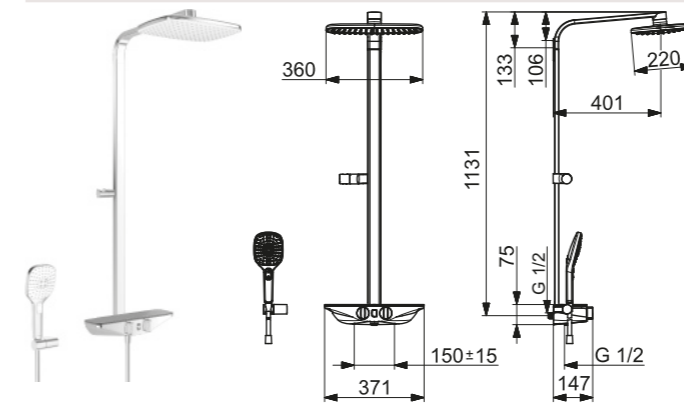
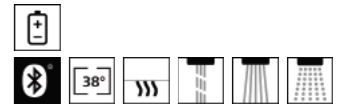
- Hand shower
- Overhead shower
- Shower holder
- Shower hose (1750 mm)
- Rotatable ball joint connection
- 3 shower sprays:
- Pulsating | Intense | Sensitive

- Temperature control handle
- Flow control handle
- Safety stop against scalding at 38°C
- The housing of the fittings conducts minimal heat
- Ball eccentric coupling(s) (G1/2)
- Thermostatic cartridge for automatic temperature control

Backflow prevention (EN1717): EB
Declaration of conformity (CE): RED

Chrome/Grey

EAN 4057304007859



HANSAEMOTION WELLFIT 5865 0172 82

Rain shower faucet
Thermostatic/Battery-operated/Bluetooth®
Wall mounted, DN15

- Safety glass
- BLUESWITCH 2-way operated diverter with volume control and stop function
- Software settings adjustable via App
- protected against back-flow in domestic use (according to DIN EN 1717)

Flow-rate at 3 bar: 12 l/min
 Hot water supply: max. +70°C
 Turn operated diverter
 Integrated into flow control handle

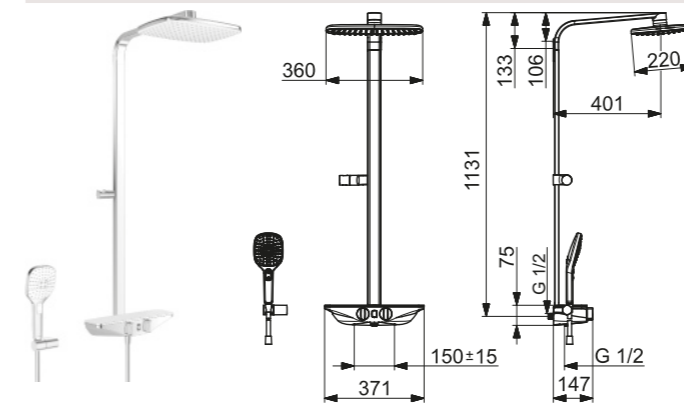
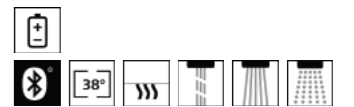
- Hand shower
- Overhead shower
- Shower holder
- Shower hose (1750 mm)
- Rotatable ball joint connection
- 3 shower sprays:
- Pulsating | Intense | Sensitive

- Temperature control handle
- Flow control handle
- Safety stop against scalding at 38°C
- The housing of the fittings conducts minimal heat
- Ball eccentric coupling(s) (G1/2)
- Thermostatic cartridge for automatic temperature control

Backflow prevention (EN1717): EB
Declaration of conformity (CE): RED

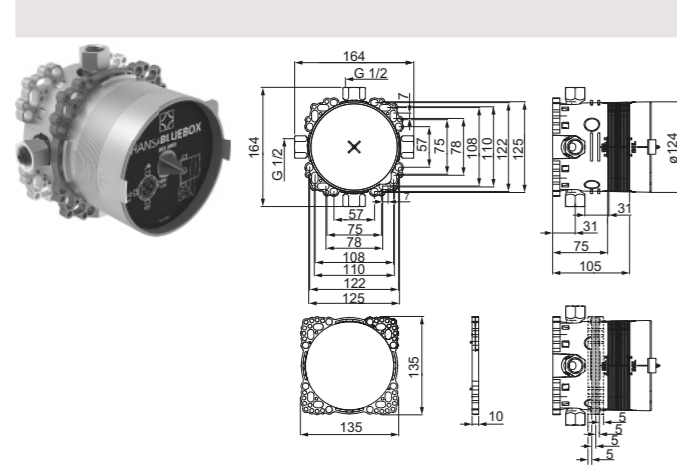
Chrome/White

EAN 4057304007842



OVERVIEW - Concealed solutions

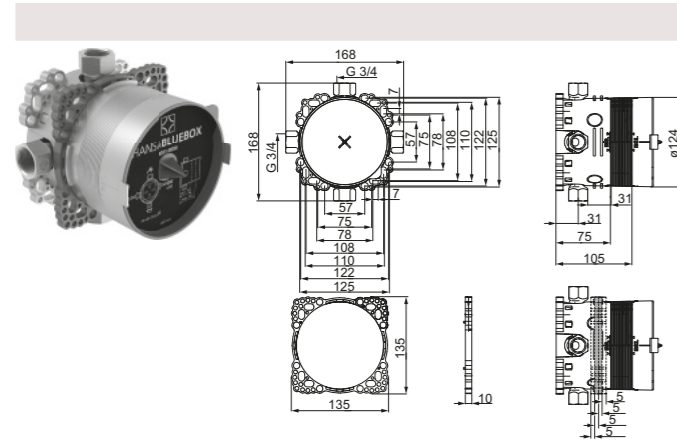
HANSAMEDICA



HANSABUEBOX **8000 0000**
Bath and shower faucet
Concealed unit |
Concealed wall mounting, DN15
 • Inner body made of DZR brass
 Installation depth: 75 - 105 mm
 Hot water supply: max. +90°C

- (G1/2)
- Pressure plug
- Concealed parts: Gasket sleeve for dry mortarless construction | Multifix fastening system | Mounting box and cover sleeve
- Excluded items: Without trim kit

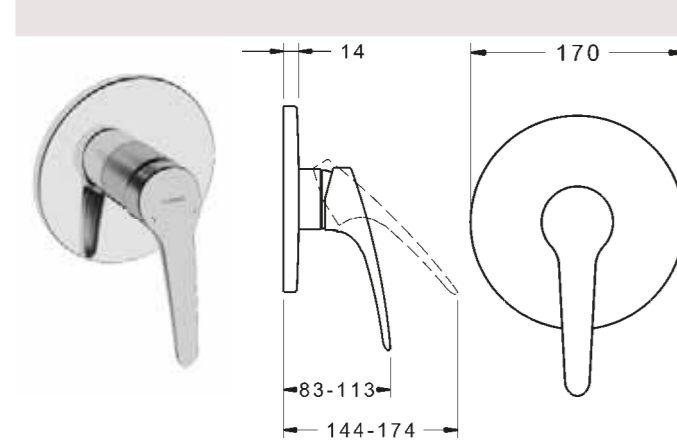
Accessories: Assembling plate, 4405 0000; Raising kit, 15 mm, 59 914 182; Adapter, H/C reversed, 59 914 184; Flush connector, 59 914 185



HANSABUEBOX **8001 0000**
Bath and shower faucet
Concealed unit |
Concealed wall mounting, DN20
 • Inner body made of DZR brass
 Installation depth: 75 - 105 mm
 Hot water supply: max. +90°C

- with integrated shut-off valve(s) (G3/4)
- Pressure plug
- Concealed parts: Gasket sleeve for dry mortarless construction | Multifix fastening system | Mounting box and cover sleeve
- Excluded items: Without trim kit

Accessories: Raising kit, 15 mm, 59 914 182; Adapter, H/C reversed, 59 914 184; Flush connector, 59 914 185; Assembling plate, 4405 0000

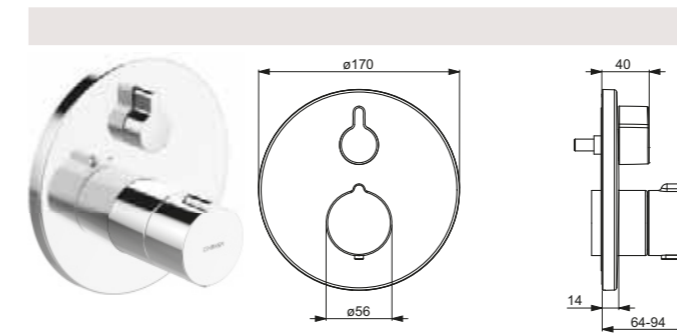


HANSAMEDICA **8185 9046**
Shower faucet
Trim Kit/Single-lever |
Concealed wall mounting
 Flow-rate at 3 bar: 28.2 l/min
 Eco-flow at 3 bar: 13.8 l/min
 Hot water supply: max. +90°C

- Single operating lever/handle
- Long shape
- Hot/Cold symbols
- Limitation option for maximum temperature and flow-rate
- Adjustable hot water stop (retrofitable)
- Ø 48 mm ceramic eco cartridge for flow and temperature control
- Concealed parts: Round rosette | BLUECLICK for an easy, screwless trim plate installation

DVGW: DW-6506CS0196, **ABP:** PA-IX 28818/IC, **SVGW:** 1805-6754, **ACS:** 16 ACC LY 696

Required sales items
 HANSABUEBOX Bath and shower faucet **8000 0000**
 HANSABUEBOX Bath and shower faucet **8001 0000**



HANSAHOME **8862 9045**
Bath and shower faucet
Trim Kit/Thermostatic |
Concealed wall mounting
 • Inner body made of DZR brass
 • BLUESWITCH 2-way operated diverter with volume control and stop function

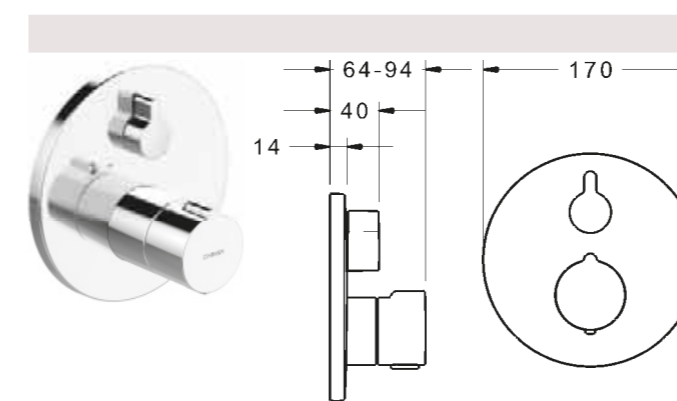
Flow-rate at 3 bar: 22.2 / 22.2 l/min
 Hot water supply: max. +80°C
 Turn operated diverter
 Diameter: 170 mm

38°

- Temperature control handle
- Flow control handle
- Safety stop against scalding at 38°C
- Thermostatic cartridge for automatic temperature control
- Non-return valve(s)
- Concealed parts: Rosette plate frame | Round rosette | BLUECLICK for an easy, screwless trim plate installation | Fastening of the function unit with screws | BLUETUNE alignment after installation of +/- 3,5° | Sleeve

Accessories: Handle, for disinfection, 59 914 169
DVGW: DW-6509CS0197, **ABP:** PA-IX 28853/IDD, **SVGW:** 1805-6755, **ACS:** 16 ACC LY 695

Required sales items
 HANSABUEBOX Bath and shower faucet **8000 0000**
 HANSABUEBOX Bath and shower faucet **8001 0000**



HANSAHOME **8862 3045**
Bath and shower faucet
Trim Kit/Thermostatic |
Concealed wall mounting
 • Vacuum breaker
 • Inner body made of DZR brass
 • BLUESWITCH 2-way operated diverter with volume control and stop function

Flow-rate at 3 bar: 22.2 / 22.2 l/min
 Hot water supply: max. +90°C
 Turn operated diverter

38° **HD**

- Temperature control handle
- Flow control handle
- Safety stop against scalding at 38°C
- Silencer(s)
- Backflow prevention (EN1717): HD
- Thermostatic cartridge for automatic temperature control
- Non-return valve(s)
- Concealed parts: Round rosette | BLUECLICK for an easy, screwless trim plate installation | Fastening of the function unit with screws | BLUETUNE alignment after installation of +/- 3,5°

Accessories: Handle, for disinfection, 59 914 169
ABP: PA-IX 28854/IDD

Required sales items
 HANSABUEBOX Bath and shower faucet **8000 0000**
 HANSABUEBOX Bath and shower faucet **8001 0000**

HANSAHOME **8861** 9045

Shower faucet
Trim Kit/Thermostatic |
Concealed wall mounting

- Inner body made of DZR brass

Flow-rate at 3 bar: 22.8 l/min
 Hot water supply: max. +80°C
 Turn operated diverter
 Diameter: 170 mm

• Temperature control handle
 • Flow control handle
 • Safety stop against scalding at 38°C
 • Ceramic head part for flow control
 • Thermostatic cartridge for automatic temperature control
 • Non-return valve(s)

• Concealed parts: Rosette plate frame | Round rosette | BLUECLICK for an easy, screwless trim plate installation | Fastening of the function unit with screws | BLUETUNE alignment after installation of +/- 3,5° | Sleeve
 • Excluded items: Without diverter

Accessories: Handle, for disinfection, 59 914 169
DVGW: DW-6509CS0197, **ABP:** P-IX 28852/IC, **SVGW:** 1805-6755, **ACS:** 16 ACC LY 695

Required sales items

HANSABLUEBOX Bath and shower faucet	8000 0000
HANSABLUEBOX Bath and shower faucet	8001 0000

HANSAHOME **8860** 9045

Shower faucet
Trim Kit/Thermostatic |
Concealed wall mounting

- Inner body made of DZR brass

Flow-rate at 3 bar: 24 l/min
 Hot water supply: max. +80°C
 Diameter: 170 mm

• Temperature control handle
 • Adjustable hot water stop (retrofitable)
 • Safety stop against scalding at 38°C
Backflow prevention (EN1717): EB
 • Thermostatic cartridge for automatic temperature control
 • Non-return valve(s)

• Concealed parts: Rosette plate frame | Round rosette | BLUECLICK for an easy, screwless trim plate installation | Fastening of the function unit with screws | Sleeve
 • Excluded items: Without flow control | Without diverter





Accessories: Handle, for disinfection, 59 914 169
DVGW: DW-6509CS0197, **ABP:** PA-IX 28855/I, **SVGW:** 1805-6755, **ACS:** 16 ACC LY 695

Required sales items






HANSABLUEBOX Bath and shower faucet	8000 0000
HANSABLUEBOX Bath and shower faucet	8001 0000

Pictogram overview

HEALTH










	Touch-free operation. Maximum comfort, maximum hygiene.
	Thermostat is suitable for thermal disinfection. This is particularly important for public or large-scale facilities.
	Brass in contact with drinking water contains less than 0.3% lead.
	Surface finishes in contact with drinking water do not have a nickel coating.

Safety









	Our thermostats offer maximum safety with scalding protection.
	THERMO COOL. Improved safety – the housing of the fitting conducts minimal heat.
	Vacuum breaker according to DIN EN 1717
	Vacuum breaker according to DIN EN 1717
	Valve for shutting off the water inlet to a dishwasher or washing machine at the fitting.

Comfort

	Hybrid function: Combined touch-free and manual operation options.
	Touch-free operation. Maximum comfort, maximum hygiene.
	Spouts can be shortened or are available in different lengths to give you more freedom with planning and design.

	Classic Spray		Cascade Spray
	Pulsating Spray		Regular Refreshing Spray
	Intense Spray		Rain Spray
	Massage Spray		Sensitive Spray
	Active Spray		

Technology

	Low-pressure fitting – for accordingly designed systems.
	Battery operation – fittings with battery or battery-powered functions.
	Mains operation – fittings for connecting to the mains power with exposed or concealed power supply units.
	Ventilation in the pipe system – components and features designed for purposes such as draining spouts hygienically.
	Pipe aerator – assuring the specified protection of the fitting.
	The right product for the modular and design-oriented concealed installation system HANSAMATRIX.
	Tap for cold or pre-mixed water with only one inlet.
	Setting, Control and monitoring of the mixer's functions possible thanks to the HANSA-App.

The Bluetooth® name mark description and logos are property of Bluetooth SIG, Inc., and its use is licenced for Hansa Armaturen GmbH. Other brands and trade names are property of the respective owners.



The Bluetooth® word mark and logos are owned by Bluetooth SIG, Inc. and any use of such marks by HANSA Armaturen GmbH is under license. Other trademarks and trade names are the property of their respective owners.



Apple and the Apple logo are marks of Apple Inc. registered in the USA and other countries. App Store is a service mark of Apple Inc.



Google Play and the Google Play logo are marks of Google Inc.

MIKADO® Brands used with the kind permission of Neoperl GmbH.

All rights reserved. Reproduction of articles is only permitted with the written consent of HANSA and with precise reference to the source. We reserve the right to make technical changes and changes in the design of products. Colour deviations due to printing technology are possible. Subject to programme and technical changes and errors.

Here at HANSA, we believe that a good faucet should be a faucet for life. That's why all our products are high-quality and made to last, fit for whatever challenges come your way. Timeless in form and functionality, our products are truly ***fit for life***.

HANSA Head Office

HANSA Armaturen GmbH
Sigmaringer Str. 107
70567 Stuttgart
GERMANY
Tel. +49 (0)711 1614-888
Fax +49 (0)711 1614-451

